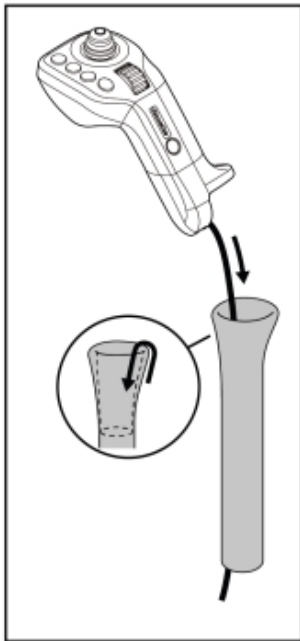
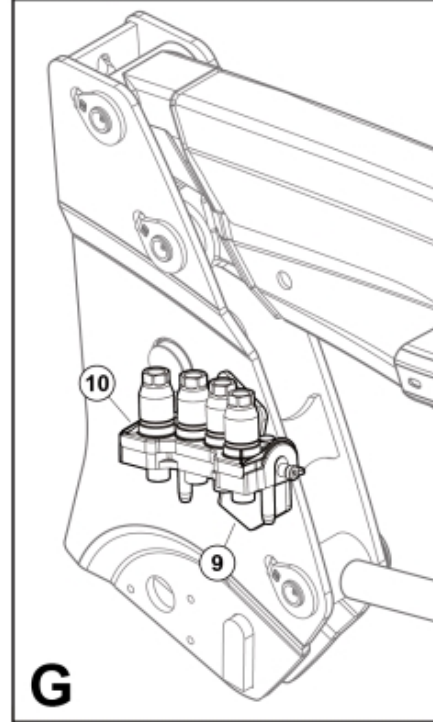
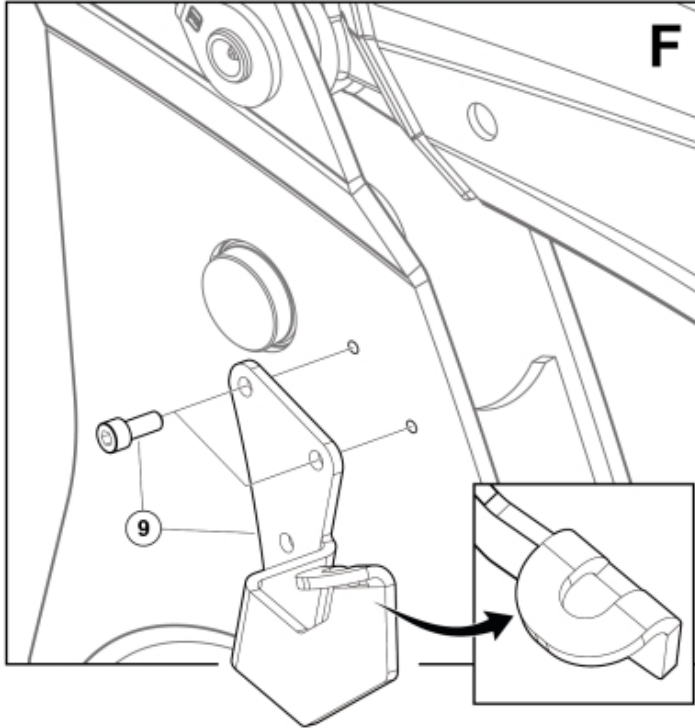
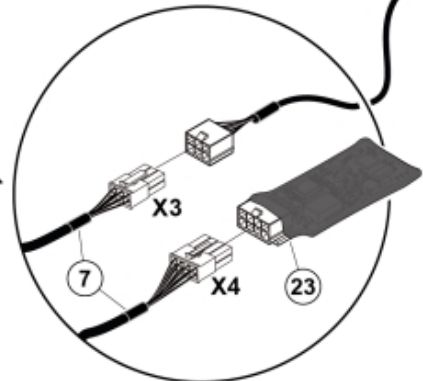
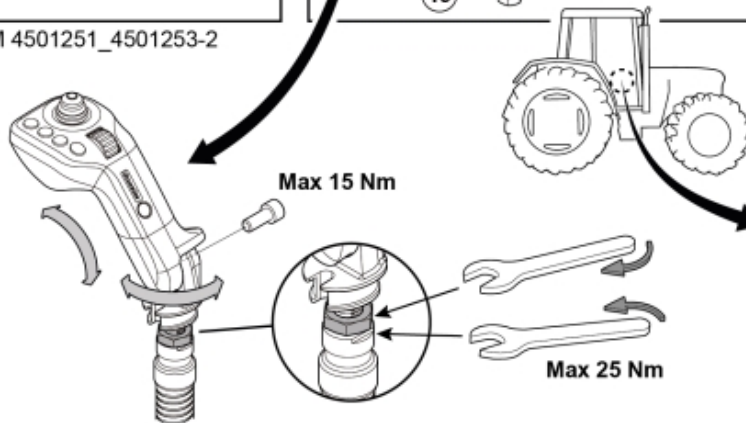
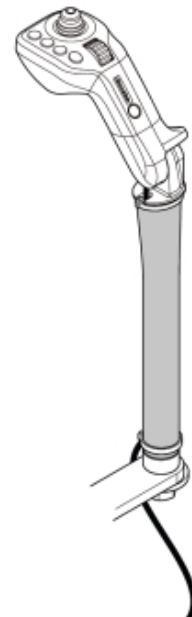
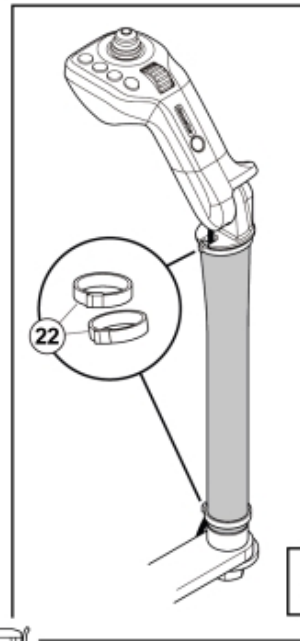
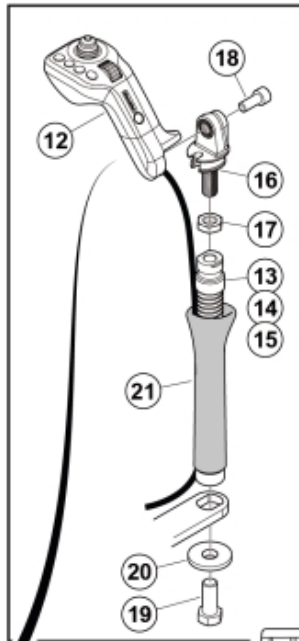


M 4501251\_4501253



M 4501251\_4501253-2



**Description** LCS to QE QC4 LS  
**Part assemblies** Conversion Kit

<b>PartNo</b>	<b>Pos</b>	<b>Qty</b>	<b>Name</b>	<b>Specifications</b>
4501253		1	Conversion Kit	
59012251	1	1	QE Valve QC4 LS	Load sensing
59000022	2	1	Cover	
59000025	3	2	Rivet	
59050111	5	1	Electr. Cable	
59021020	6	1	Connector handle	
60012285	7	1	Wiring harness	
60049421	9	1	Holder kit	
59020490	10	1	QC4 Mobile	
5013856	11	4	Dowty washer	Tredo 1/4"
59030500	12	1 PCS	Joystick	
59030502	13	1 PCS	Gooseneck	L=150 mm
59030503	14	1 PCS	Gooseneck	L=240 mm
59030504	15	1 PCS	Gooseneck	L=290 mm
59030501	16	1 PCS	Bracket	
5011076	17	1	Nut	ML6M 4fzb
5004061	18	1	Screw	MC6S M8x20
5002102	19	1	Screw	M6S M12X30
59030506	20	1 PCS	Washer	TBRSE 13x36x6
5103053	21	1	Braided sleeving	
4500765	22	2	Cable tie, low profile	4.5x177
59030510	23	1 PCS	CAN Output Module	CAN-AUX