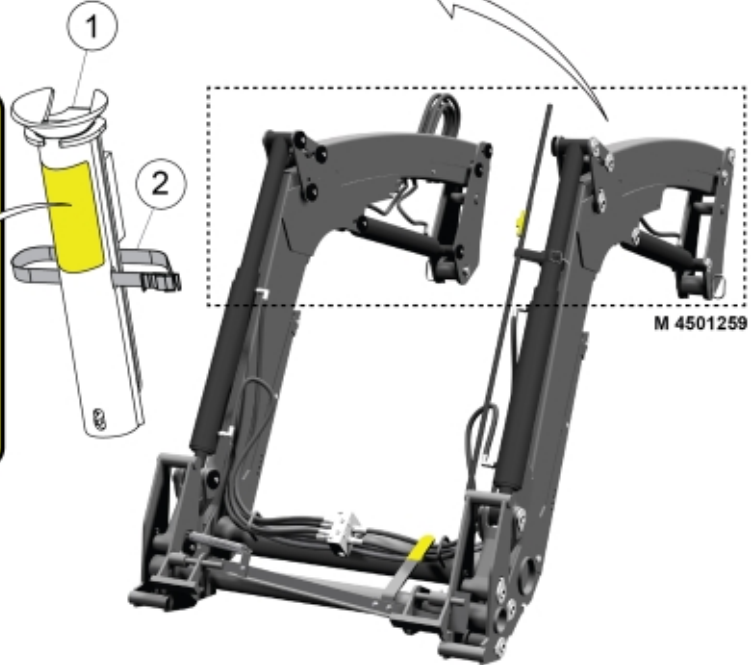


TO INSTALL LIFT ARM SUPPORT SERVICE:

- (1). RAISE THE LOADER LIFT ARMS COMPLETELY, STOP THE ENGINE AND REMOVE THE KEY.
- (2). INSERT THE LIFT ARM SUPPORT DEVICE ONTO THE LIFT CYLINDER ROD.
- (3). USE THE STRAP TO TIGHTEN THE SUPPORT DEVICE ONTO THE LIFT CYLINDER ROD.
- (4). SLOWLY LOWER THE LOADER LIFT ARMS ONTO THE LIFT ARM SUPPORT. DO NOT POWER DOWN THE LOADER!

11136428



M 4501259

Description L=510 mm
Part assemblies Ram Stop Kit, long

PartNo	Pos	Qty	Name	Specifications
4501259		1	Ram Stop Kit, long	
60078974	1	1	Mechanical Stop	
5022145	2	1	Tie-down strap	