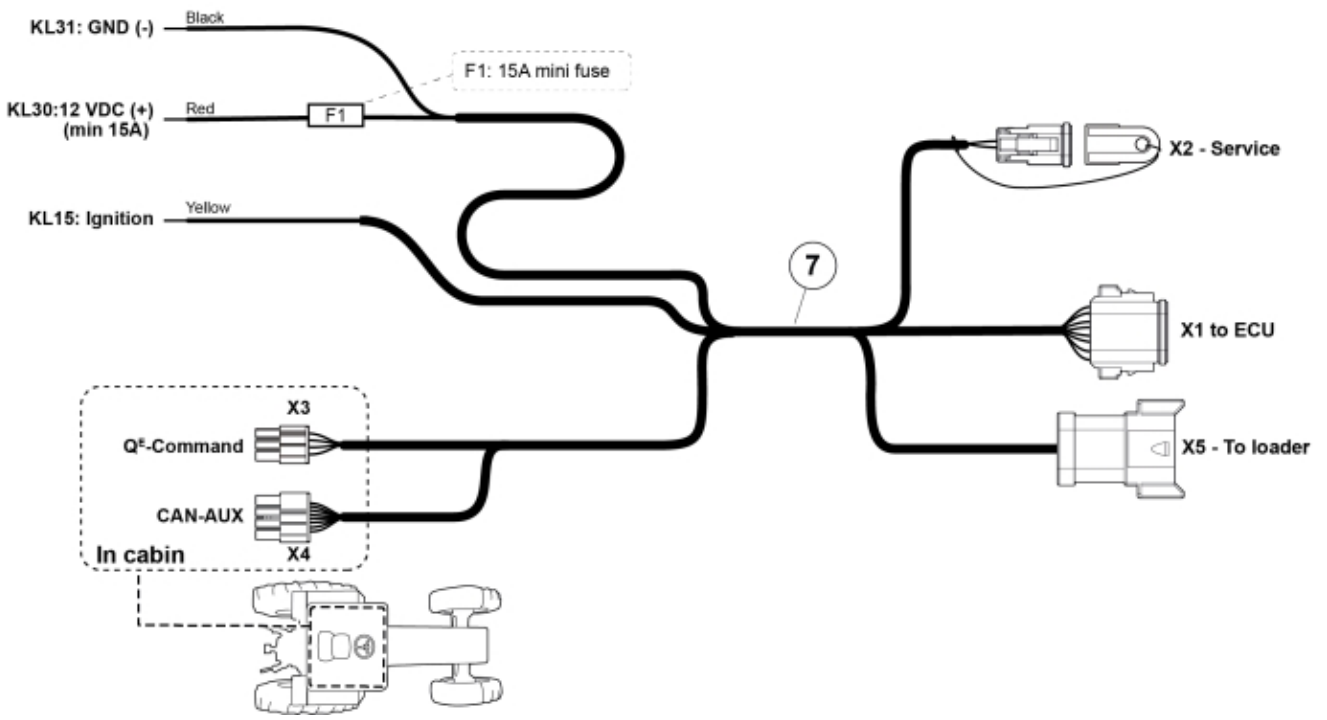
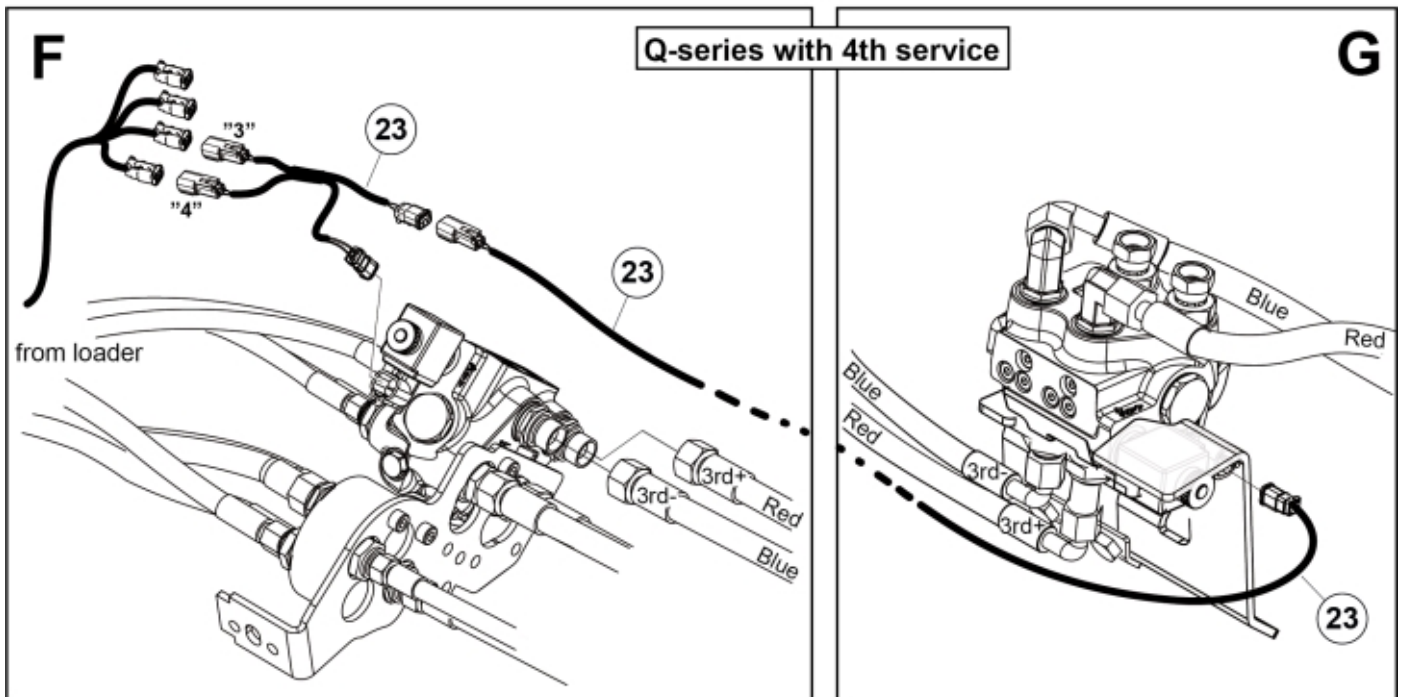
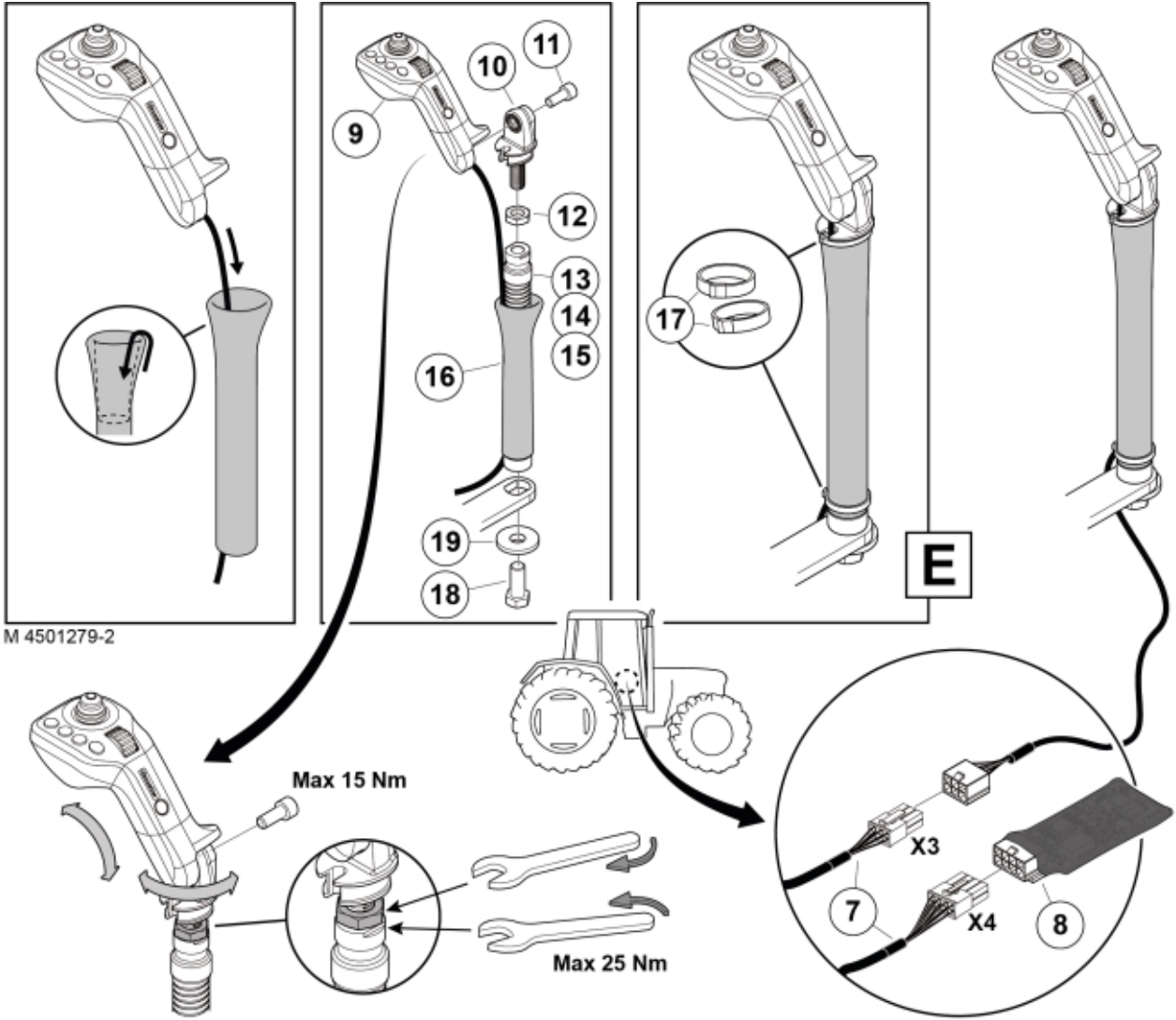


M 4501279-1





Part assemblies Electro Joystick LCS Repl Kit

PartNo	Pos	Qty	Name	Specifications
4501279		1	Electro Joystick LCS Repl Kit	
59040205	1	1	LCS MVU ECU	
60083168	3	1	Plate	
5002027	4	4	Screw	M6S_ M6 x 25 (8.8)
5011552	5	4	Locking nut	M6 Locking
59050160	6	1	Harness	
59050161	7	1	Harness	
59030510	8	1 PCS	CAN Output Module	CAN-AUX
59030500	9	1 PCS	Joystick	
59030501	10	1 PCS	Bracket	
5004061	11	1	Screw	MC6S M8x20
5011076	12	1	Nut	ML6M 4fzb
59030502	13	1 PCS	Gooseneck	L=150 mm
59030503	14	1 PCS	Gooseneck	L=240 mm
59030504	15	1 PCS	Gooseneck	L=290 mm
5103053	16	1	Braided sleeving	
4500765	17	1	Cable tie, low profile	4.5x177
5002102	18	1	Screw	M6S M12X30
59030506	19	1 PCS	Washer	TBR SB 13x36x6
60048215	21	1	Decal	
60028854	22	1	Decal	
60032063	23	1	Cable	4th service. (replaces 60015907)