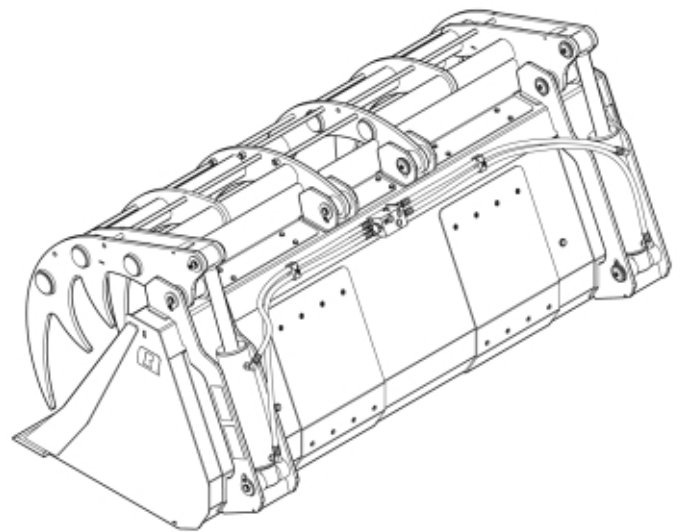
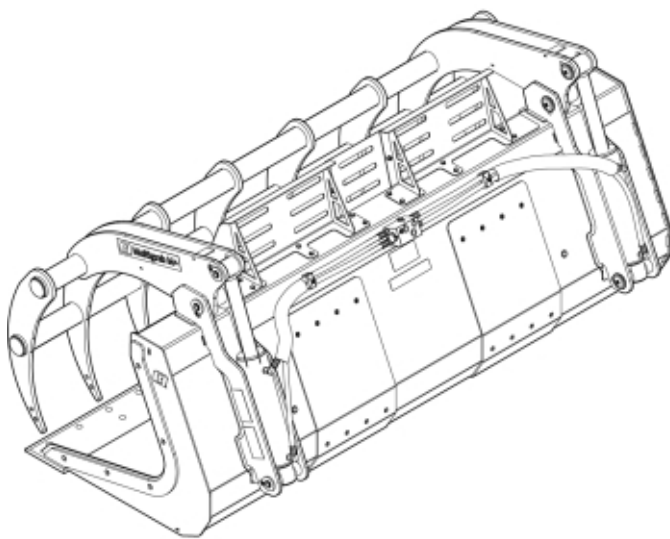


**Multigrab M+**

**Powergrab M+**



M 11256486

---

**Part assemblies**      Load hold and pressure relief valve kit

---

| <b>PartNo</b> | <b>Pos</b> | <b>Qty</b> | <b>Name</b>                             | <b>Specifications</b>  |
|---------------|------------|------------|---|--|
| 11256486      |            | 1          | Load hold and pressure relief valve kit |  |
| 1120012       | 1          | 4          | Adaptor                                 | G 1/2"   |
| 5013853       | 2          | 6          | Dowty washer                            | Tredo 1/2", Part is included in kit 60007907<br>Hose cpl., 9032177 Hose cpl. |
| 60089292      | 3          | 2          | Relief Valve                            |  |
| 60088898      | 4          | 1          | Check valve                             |  |
| 60088919      | 5          | 1          | Plug                                    |  |