

MAX 1000 Kg

7



10



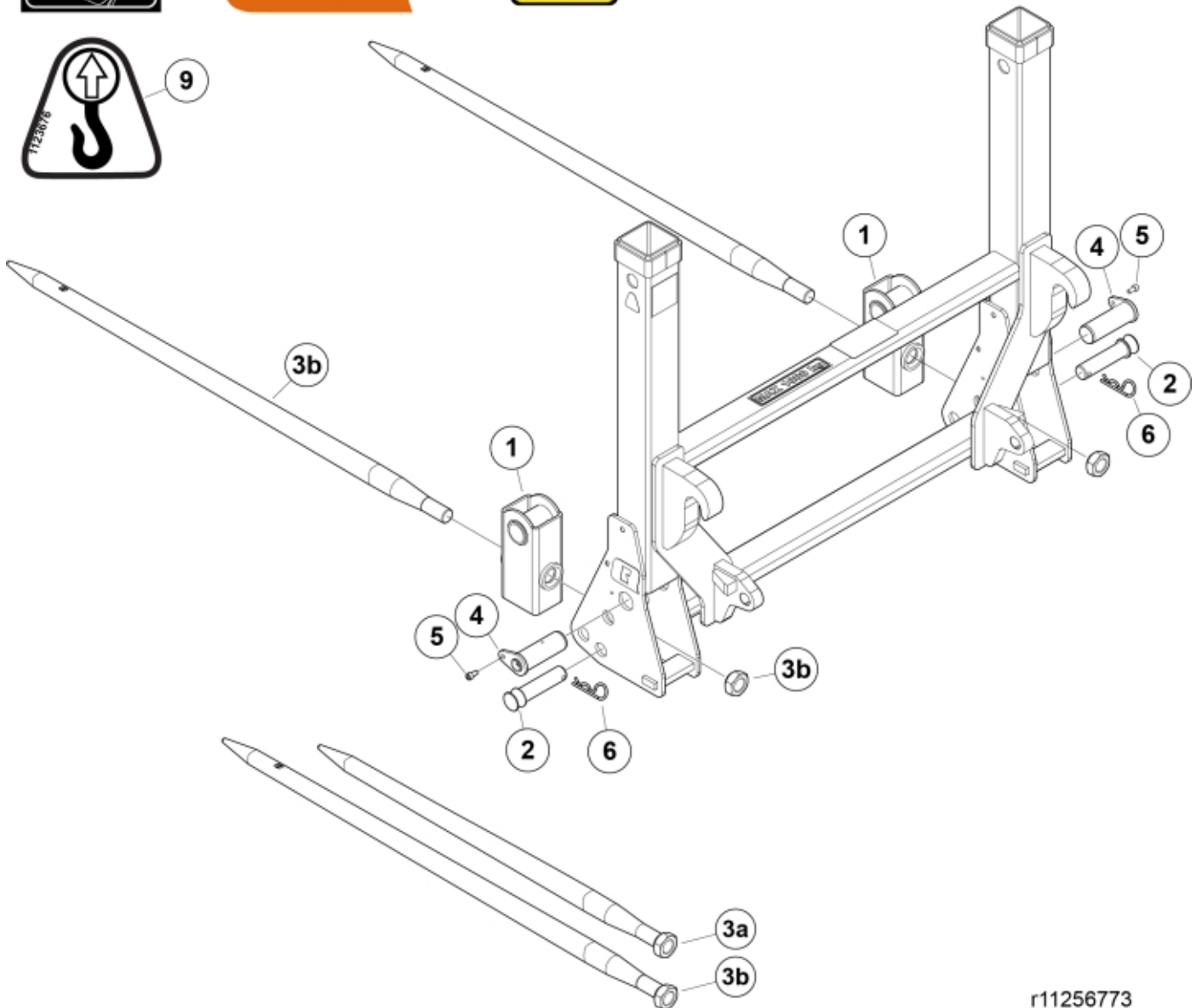
8



11



9



r11256773

Part assemblies Bale fork S+ 115 Euro Folding tines

| PartNo | Pos | Qty | Name | Specifications |
|---------------|------------|------------|---------------|----------------------------|
| 60111312 | 1 | 2 | Bracket | |
| 60050941 | 2 | 2 PCS | Pin | |
| 5068114-17 | 3a | 2 | Tine with nut | L=827mm (replaces 5068003) |
| 5068120-17 | 3b | 2 | Tine with nut | L=1240mm (5068004) |
| 60111442 | 4 | 2 | Pin | |
| 5053514 | 5 | 2 | Screw | M6S M8x16 (8.8) Threadlock |
| 20725101 | 6 | 2 | Linch pin | |
| 11136514 | 7 | 1 | Warning decal | "Max 1000 kg" |
| 11136517 | 8 | 1 | Warning decal | "Tightening of tine" |
| 1123676 | 9 | 2 | Decal, lift | |
| 1123674 | 10 | 1 | Warning decal | "Read manual" |
| 60049053 | 11 | 2 | Decal | "Q" small 80x57 |