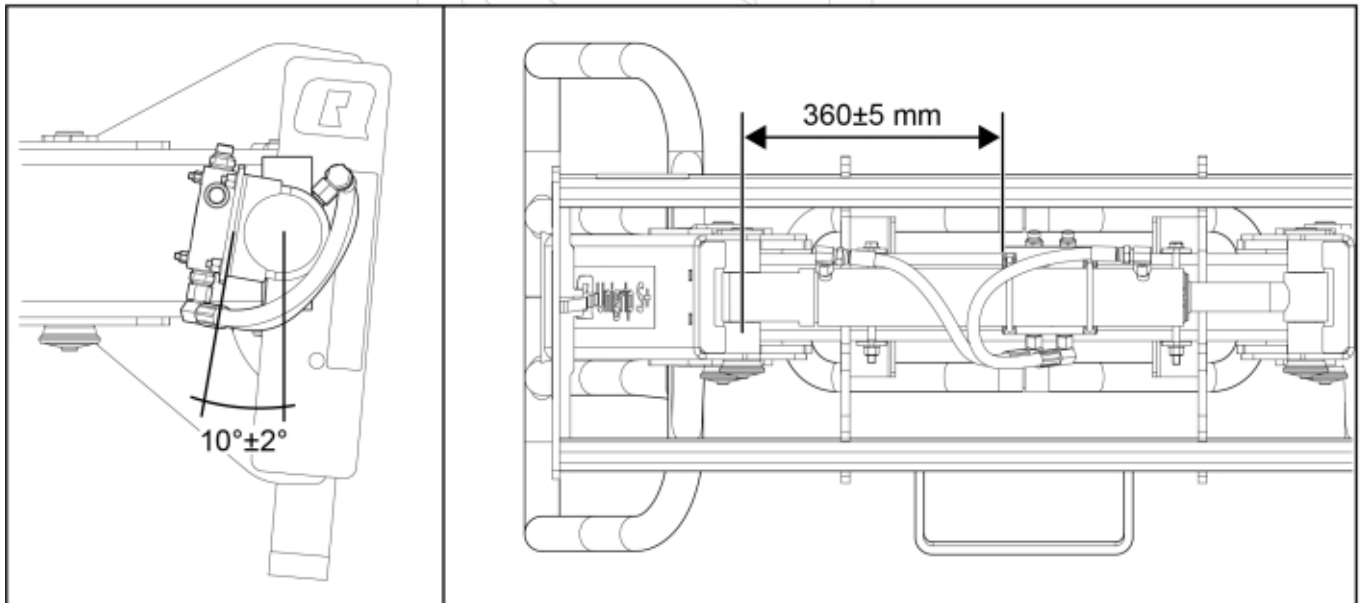


M 11256837



---

**Part assemblies**      Pressure relief valve kit

---

<b>PartNo</b>	<b>Pos</b>	<b>Qty</b>	<b>Name</b>	<b>Specifications</b>
	1	1	Pressure relief valve	
	2	1	Plate	
	3	2	Washer	BRB 6,4 x 12 x 1,5
	4	2	Nut	M6 FZB, 708137
	5	2	U-bolt	
	6	4	Washer	BRB 8,4 x 16
	7	4	Nut	M6M M8 Loc-king
	8	2	Screw	
	9	4	Dowty washer	Tredo 3/8"
	10	4	Adaptor	
	11	2	Bracket	
	12	1	Hose	3/8" L=465 3/8G90LMC 3/8G90LMC
	13	1	Hose	3/8" L=370 3/8G90LMC 3/8G90LMC