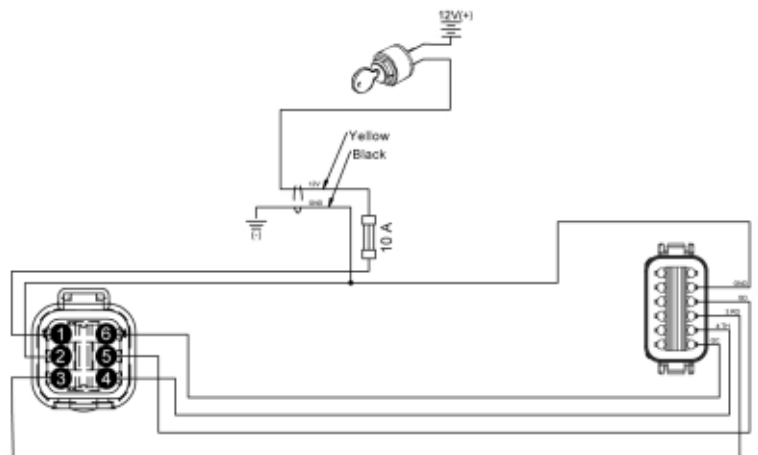
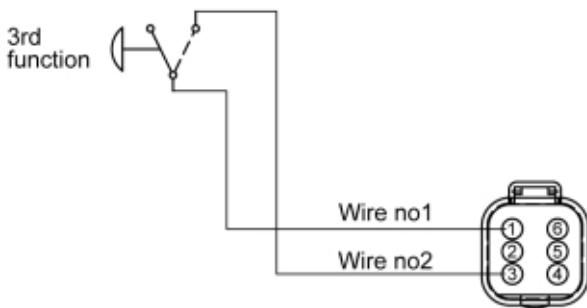
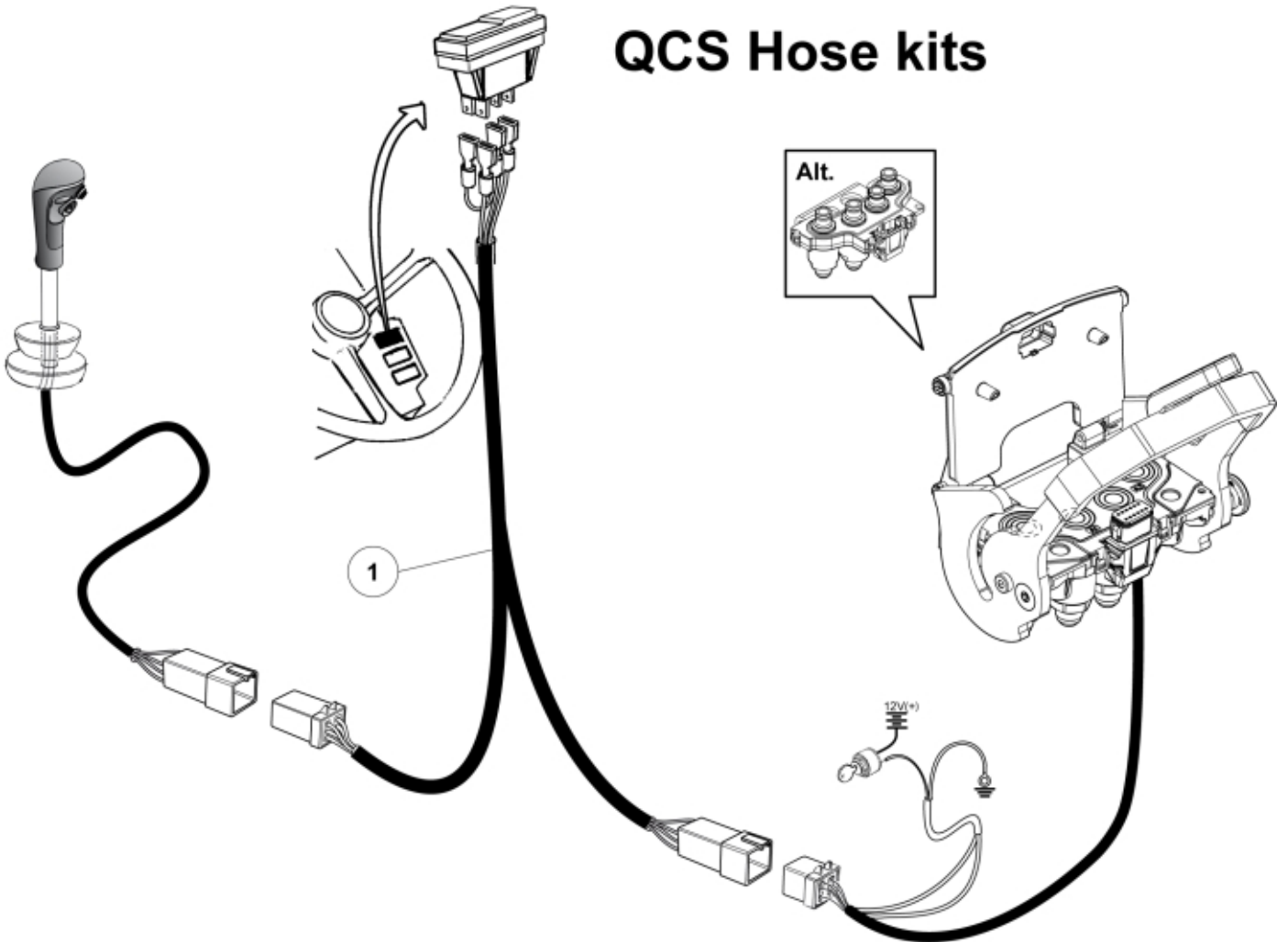
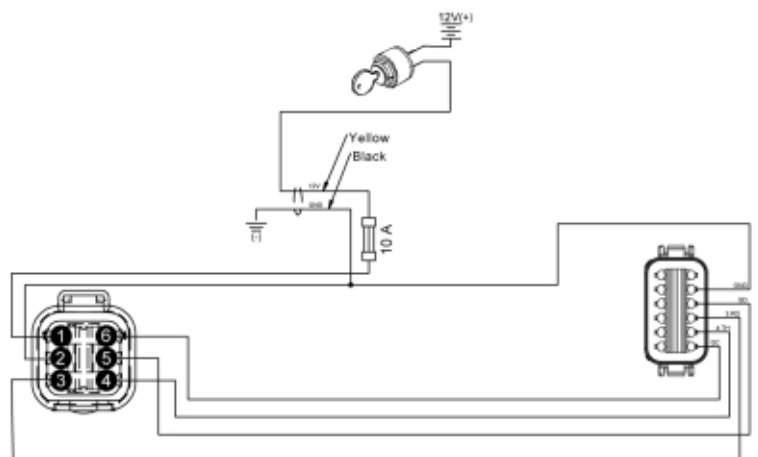
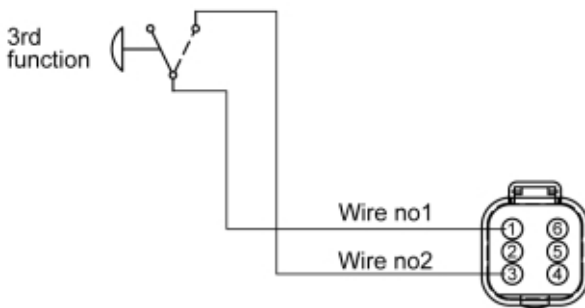
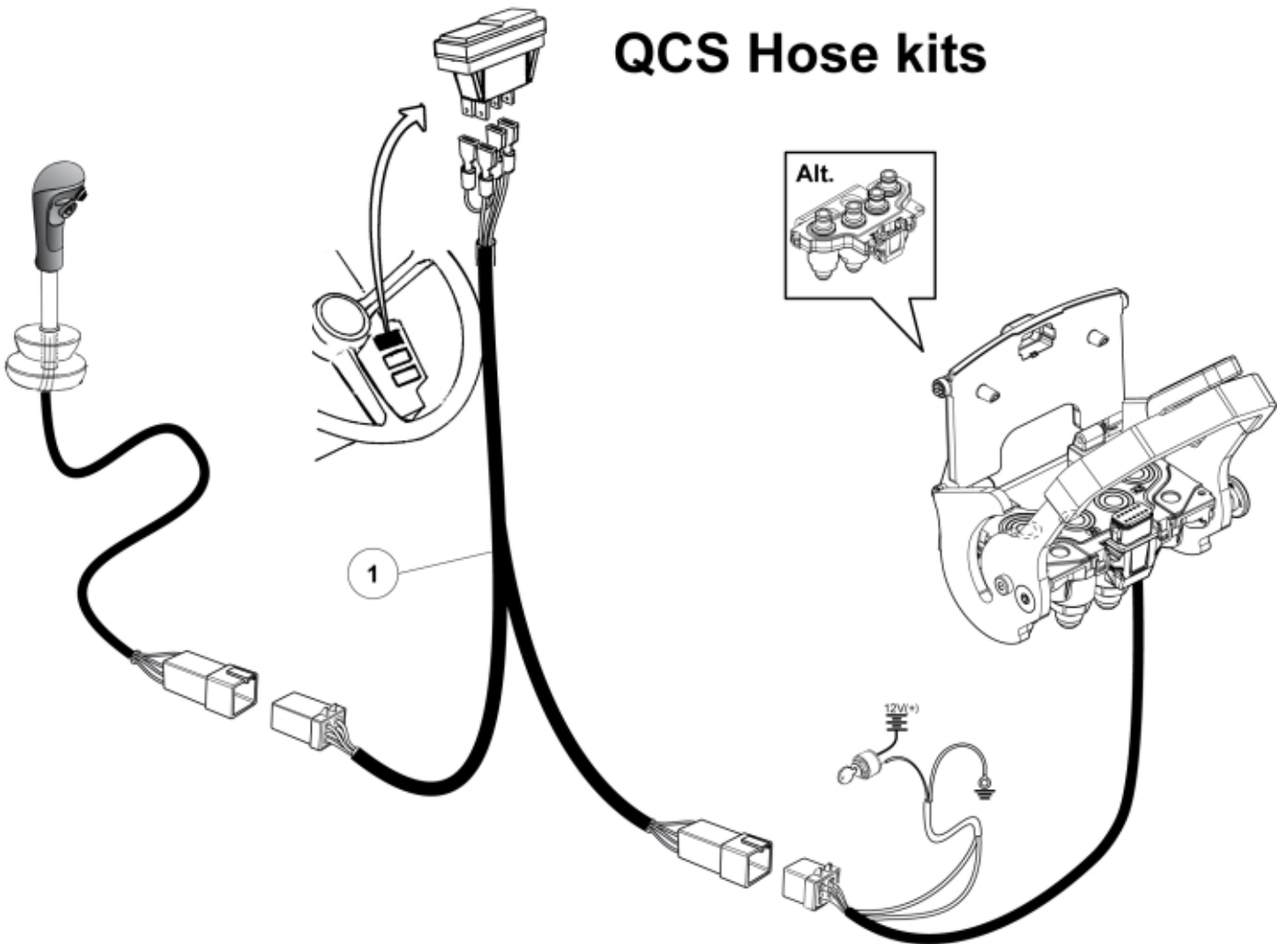


QCS Hose kits

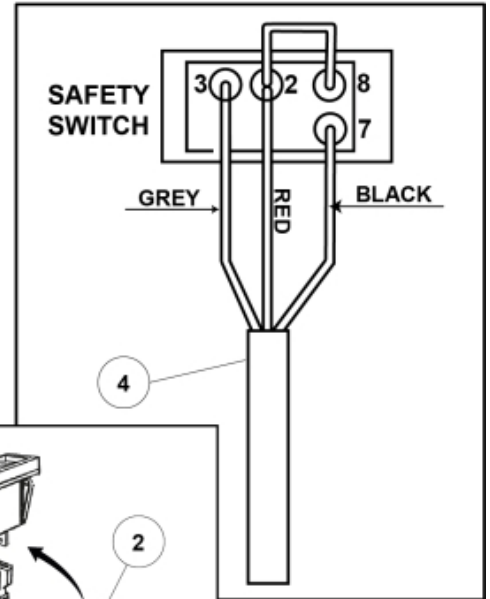
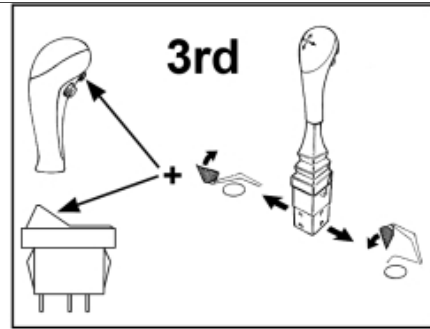
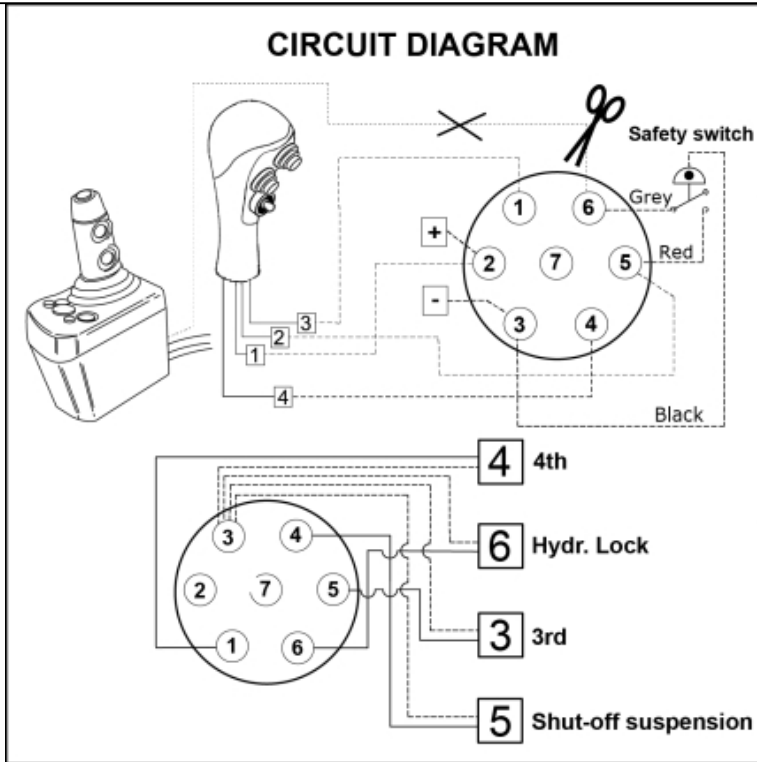


M 5033992-4

QCS Hose kits

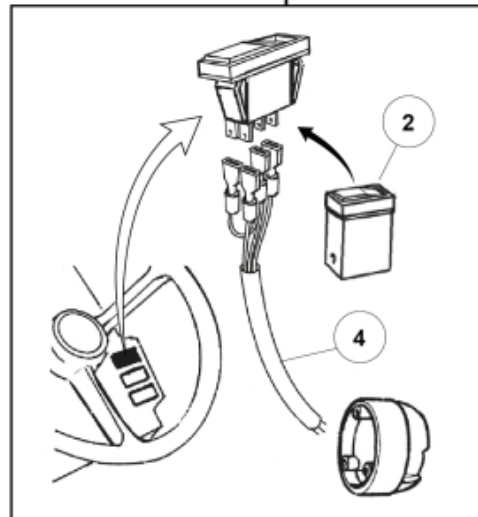
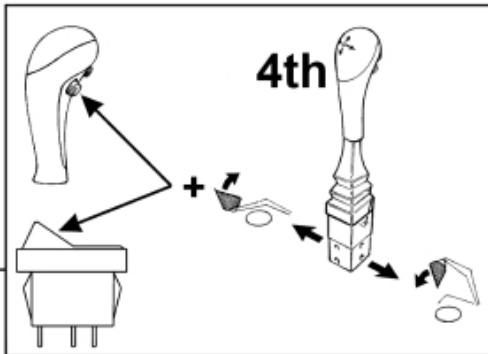


M 5033992-4

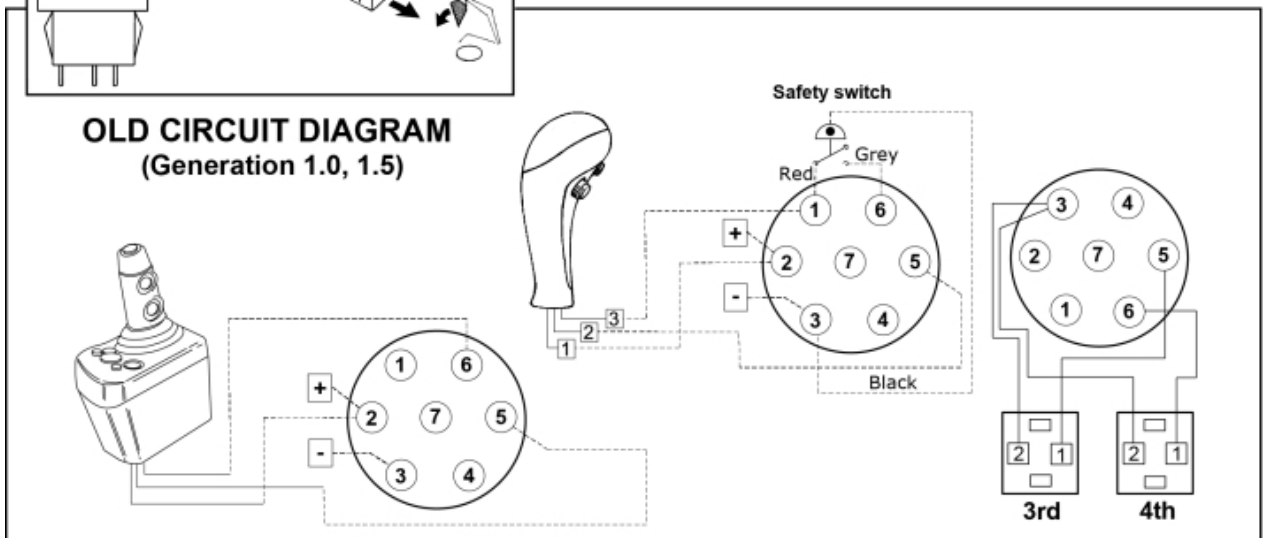


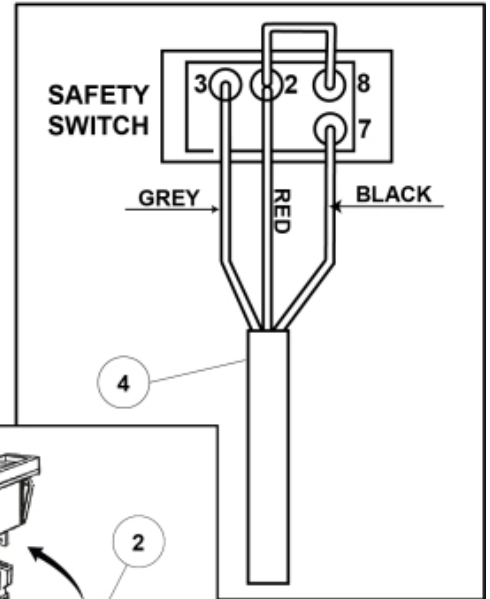
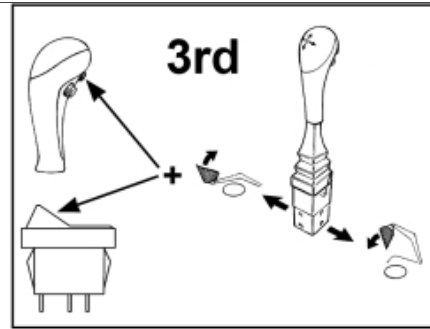
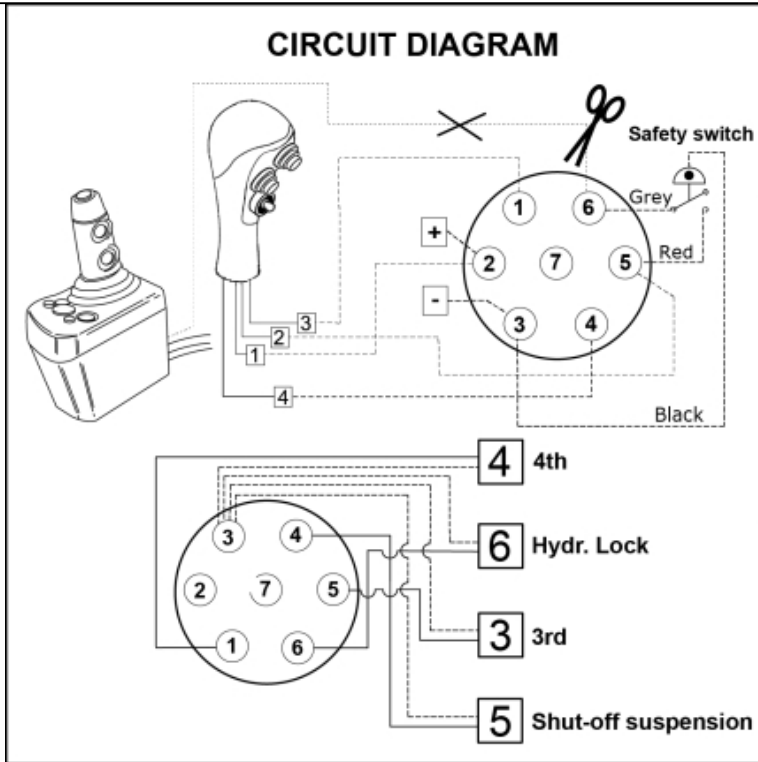
M 5033992-3

Trailer Contact



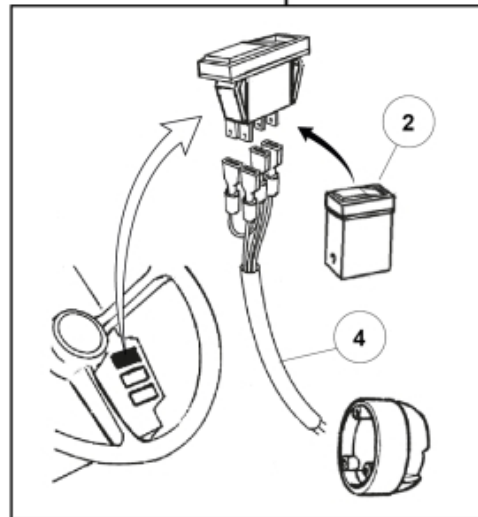
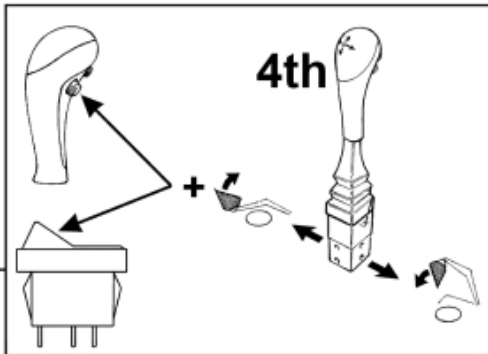
OLD CIRCUIT DIAGRAM (Generation 1.0, 1.5)



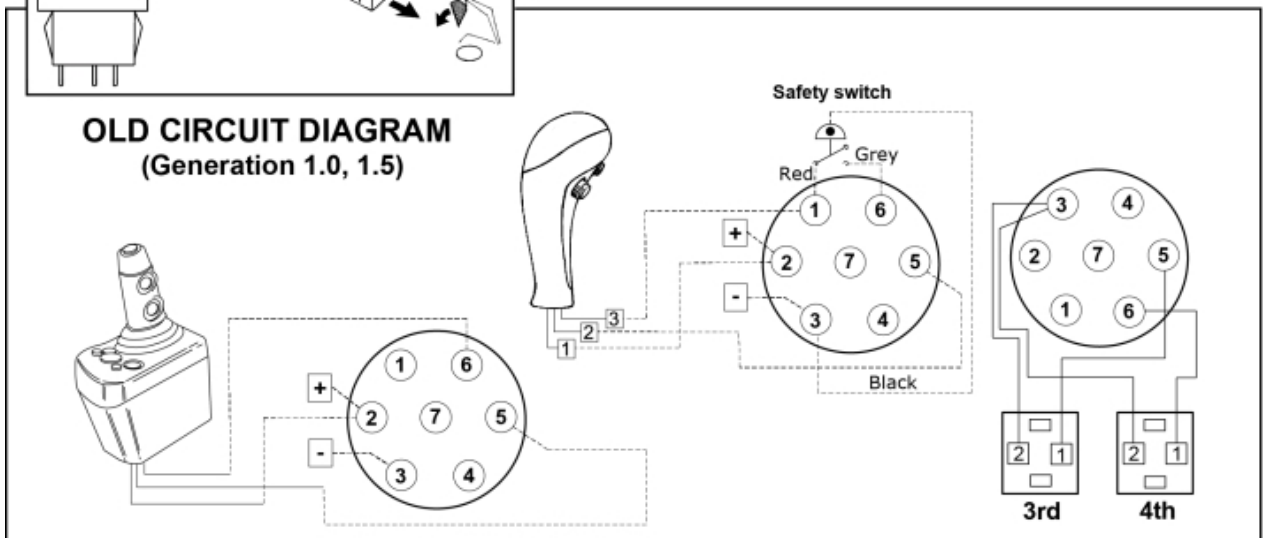


M 5033992-3

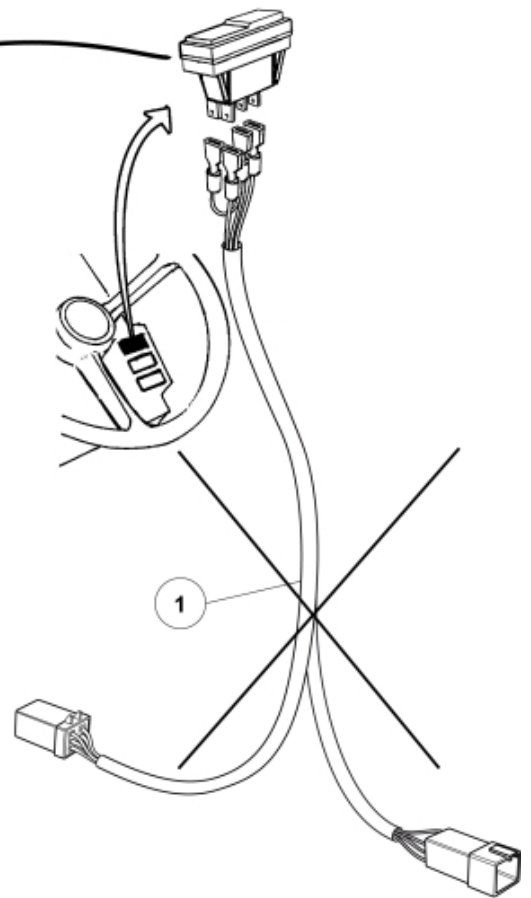
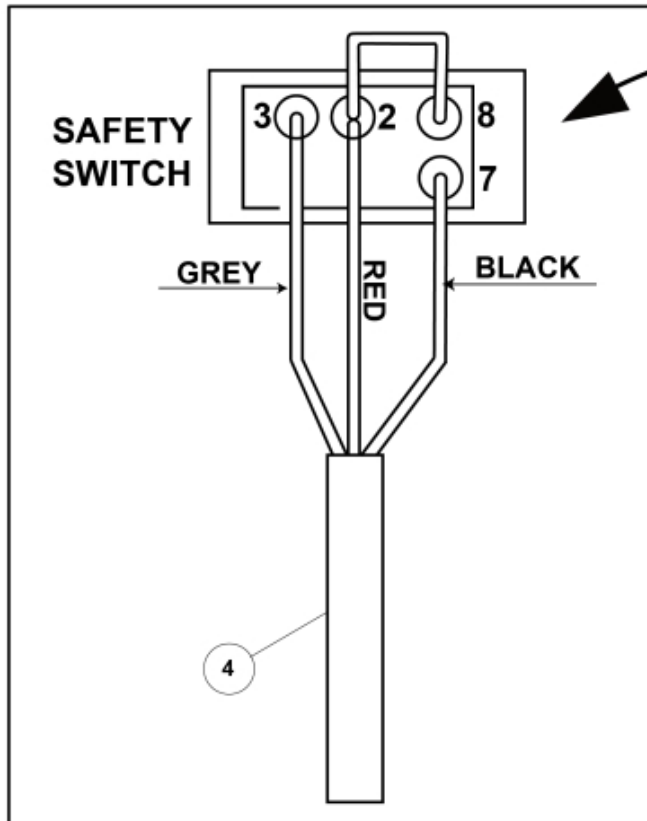
Trailer Contact



OLD CIRCUIT DIAGRAM (Generation 1.0, 1.5)



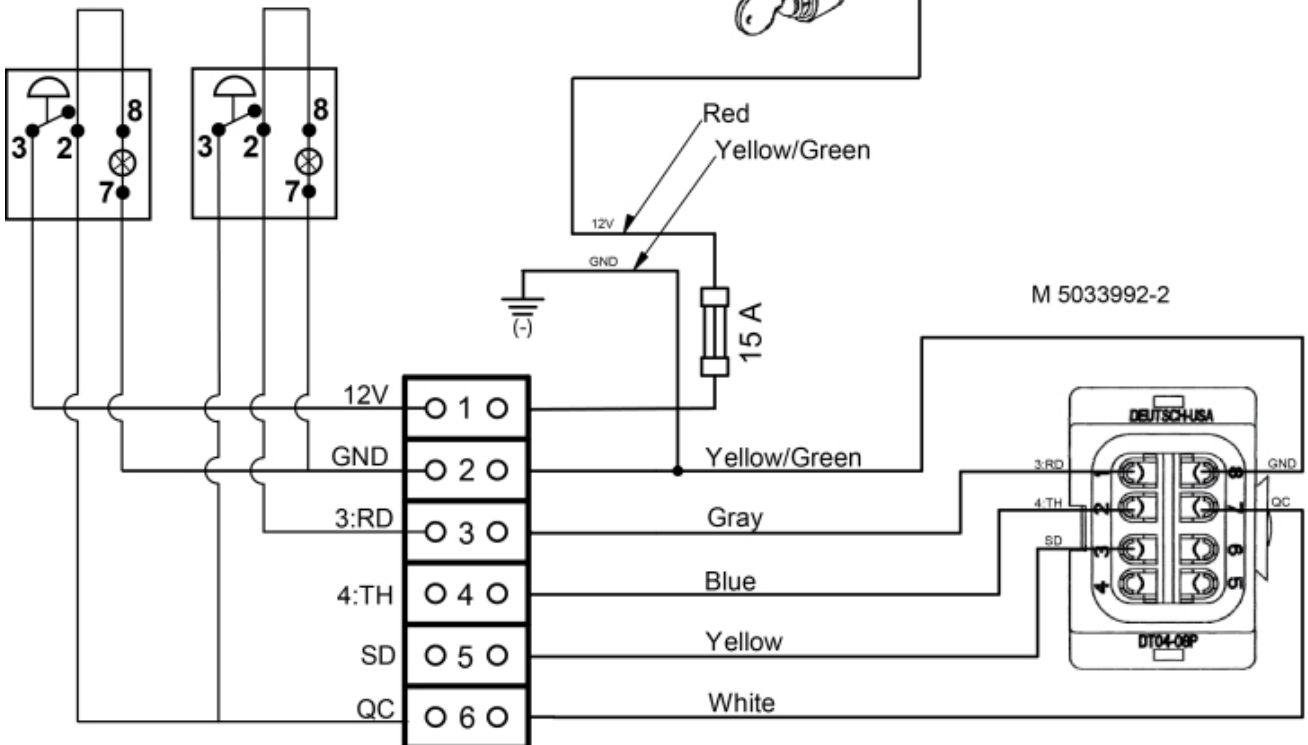
Hose Kit



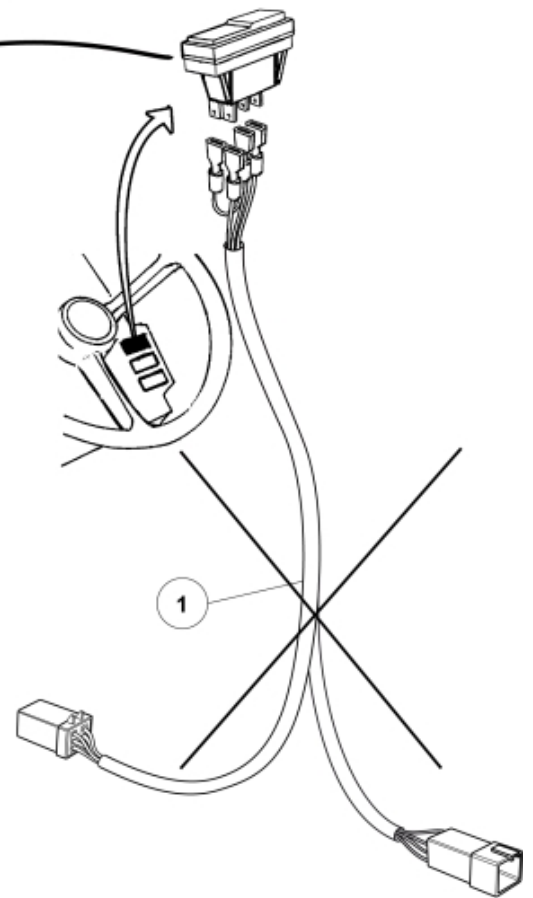
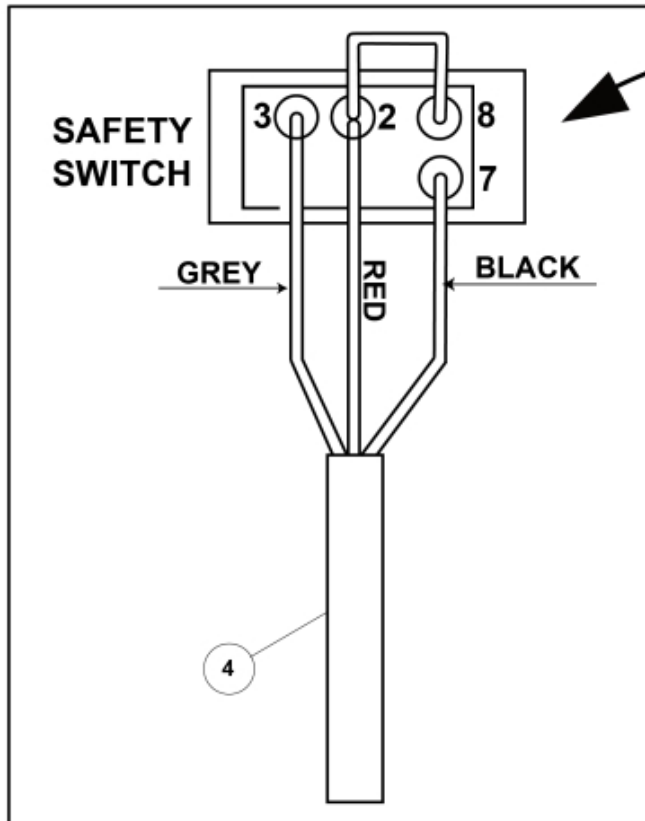
When Hose kit replace org. harness with pos. 4

Hose Kit
Live 3

Hose Kit



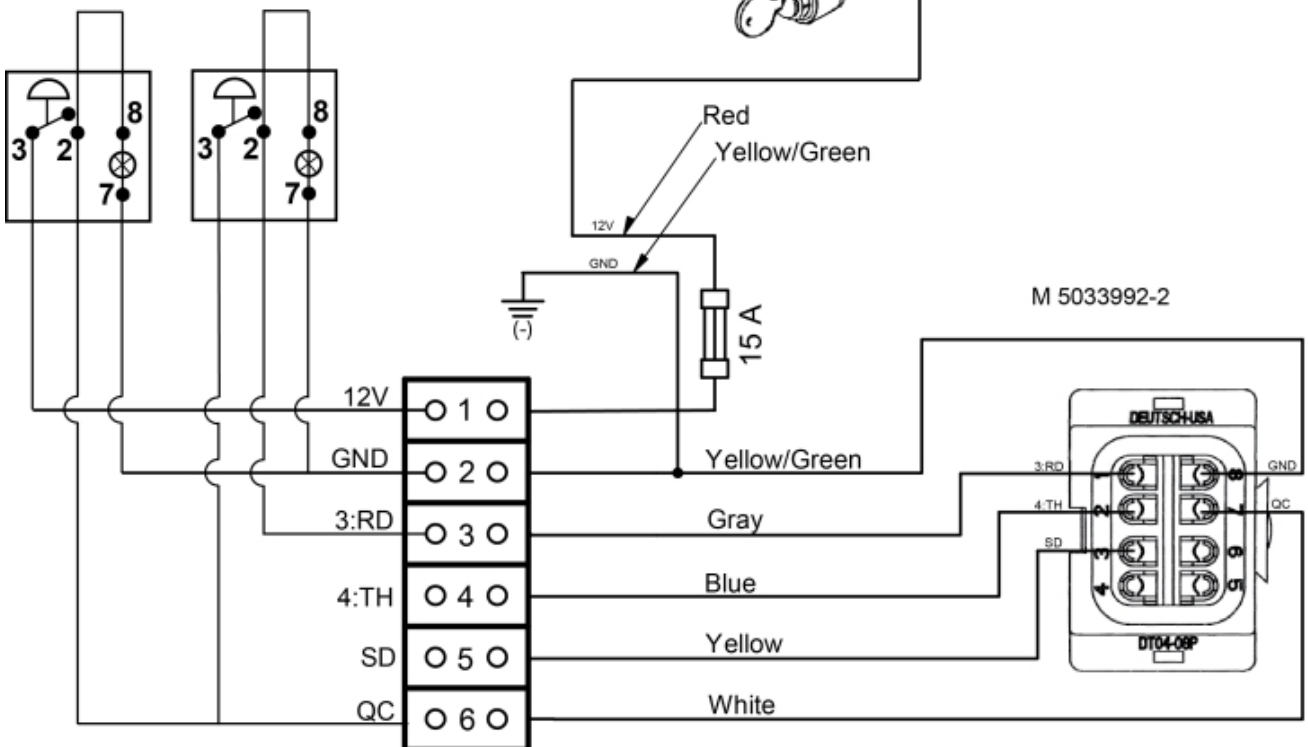
Hose Kit



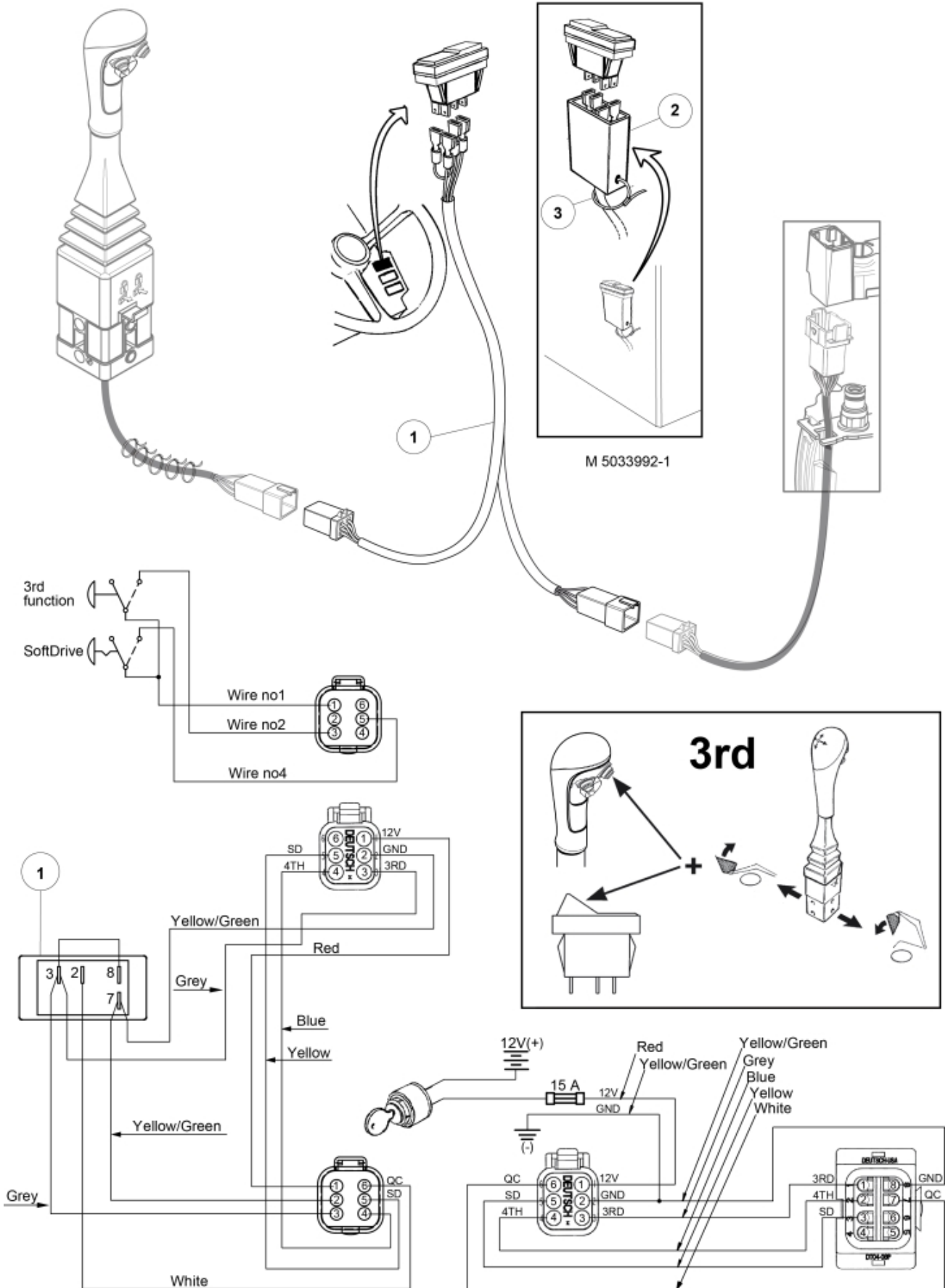
When Hose kit replace org. harness with pos. 4

Hose Kit Live 3

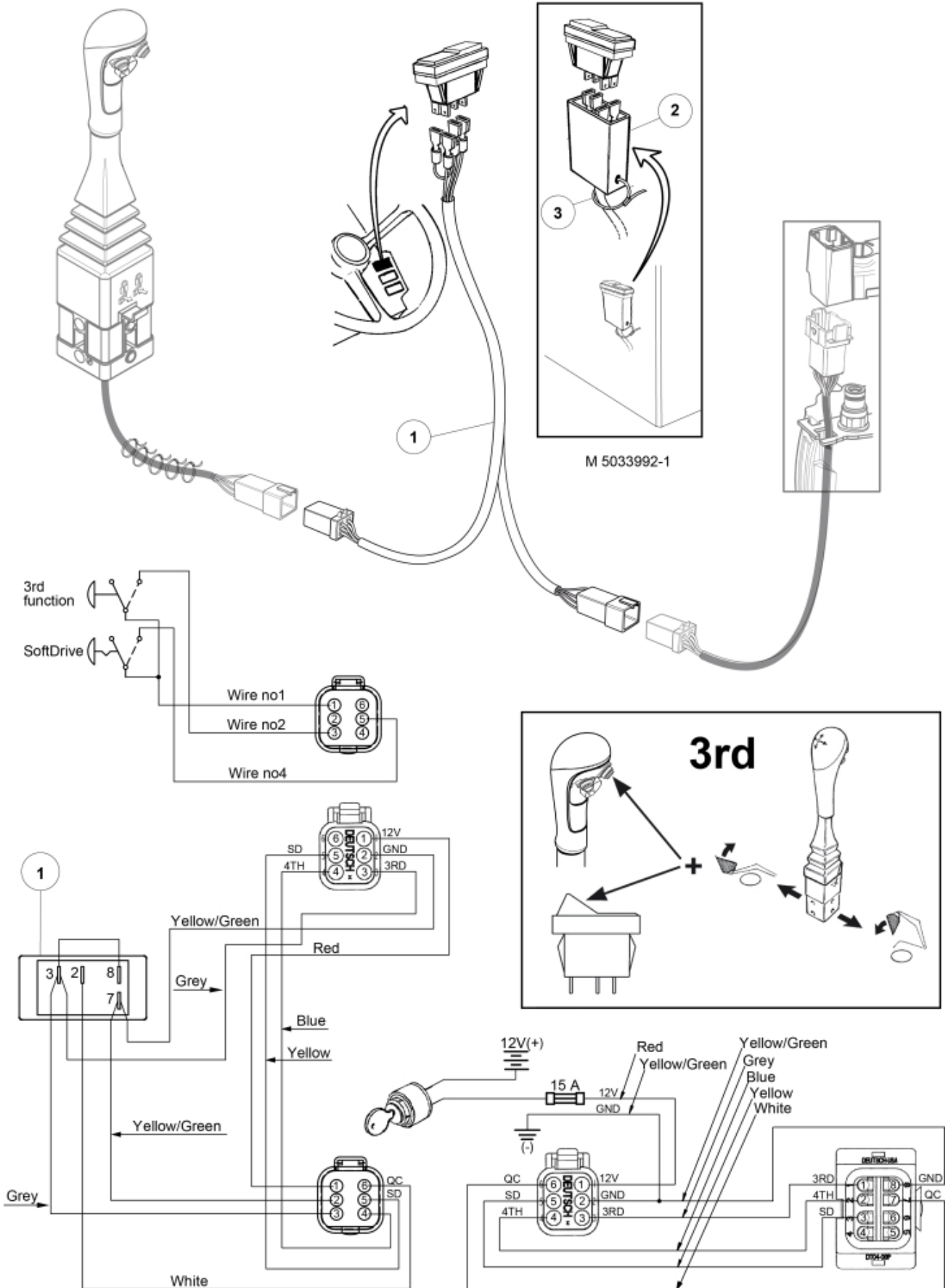
Hose Kit



Ergo Drive LCS



Ergo Drive LCS



Part assemblies Implement lock switch

PartNo	Pos	Qty	Name	Specifications
5102112	1	1	Safety switch cpl.	
5201086	2	1	Bracket	
5033621	3	10	Cable tie	4.6x150
5102008	4	1	Harness	