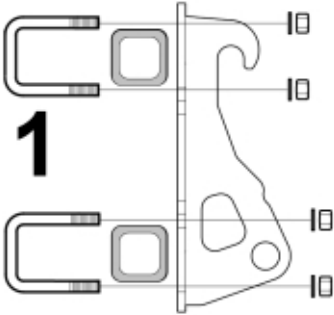
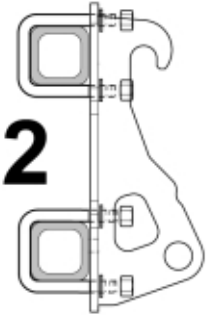




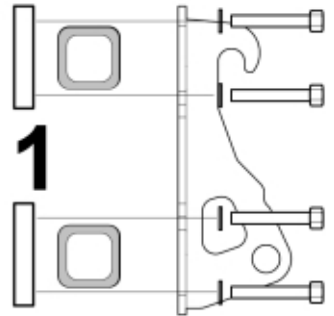
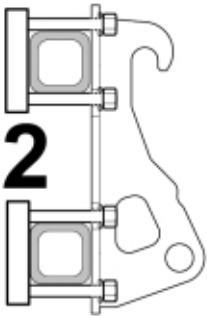




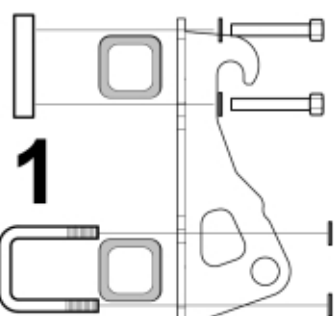
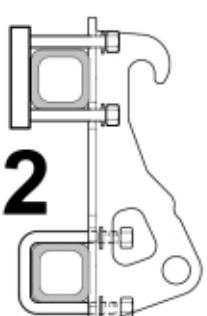


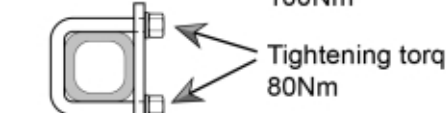
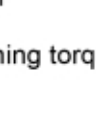


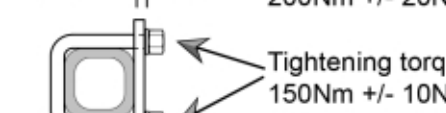


<p>11256859A 11256859Q</p>  <p>1</p>	 <p>2</p>	 <p>3 </p> <p>Tightening torque: 80Nm</p>  <p>4 </p> <p>Tightening torque: 150Nm +/- 20Nm</p>
--	---	---

<p>11256859B</p>  <p>1</p>	 <p>2</p>	 <p>3 </p> <p>Tightening torque: 100Nm</p>  <p>4 </p> <p>Tightening torque: 200Nm +/- 20Nm</p>
---	--	--

<p>11256859C</p>  <p>1</p>	 <p>2</p>	 <p>3 </p> <p>Tightening torque: 100Nm</p>  <p>4 </p> <p>Tightening torque: 80Nm</p>  <p>4 </p> <p>Tightening torque: 200Nm +/- 20Nm</p>  <p>Tightening torque: 150Nm +/- 10Nm</p>
--	---	--

Part assemblies Attachment kit Knikmops 180-250

PartNo	Pos	Qty	Name	Specifications
60117927	1	1	Attachment Knikmops 180-250	
60004374	2A	1 PCS	Bolt kit	
60020469		8	• U-bolt	80x80 M16 (60003288)
5013105		16	• Washer	BRB 17 x 30 x 3 300HV
5011557		16	• Nut	Loc-King M16
60004375	2Q	1 PCS	Bolt kit	
60020468		8 PCS	• U-bolt	80x40 M16 (60003289)
5013105		16	• Washer	BRB 17 x 30 x 3 300HV
5011557		16	• Nut	Loc-King M16
60025035	2B	1 PCS	Bolt kit	
60050544		8 PCS	• Plate	
5050888		16	• Screw	M6S M16x90 10.9
5013105		16	• Washer	BRB 17 x 30 x 3 300HV
60021354	2C	1 PCS	Bolt kit	
60050544		4 PCS	• Plate	
5050810		8	• Screw	M6S M16x120
5013105		16	• Washer	BRB 17 x 30 x 3 300HV
60020469		4	• U-bolt	80x80 M16 (60003288)
5011557		8	• Nut	Loc-King M16