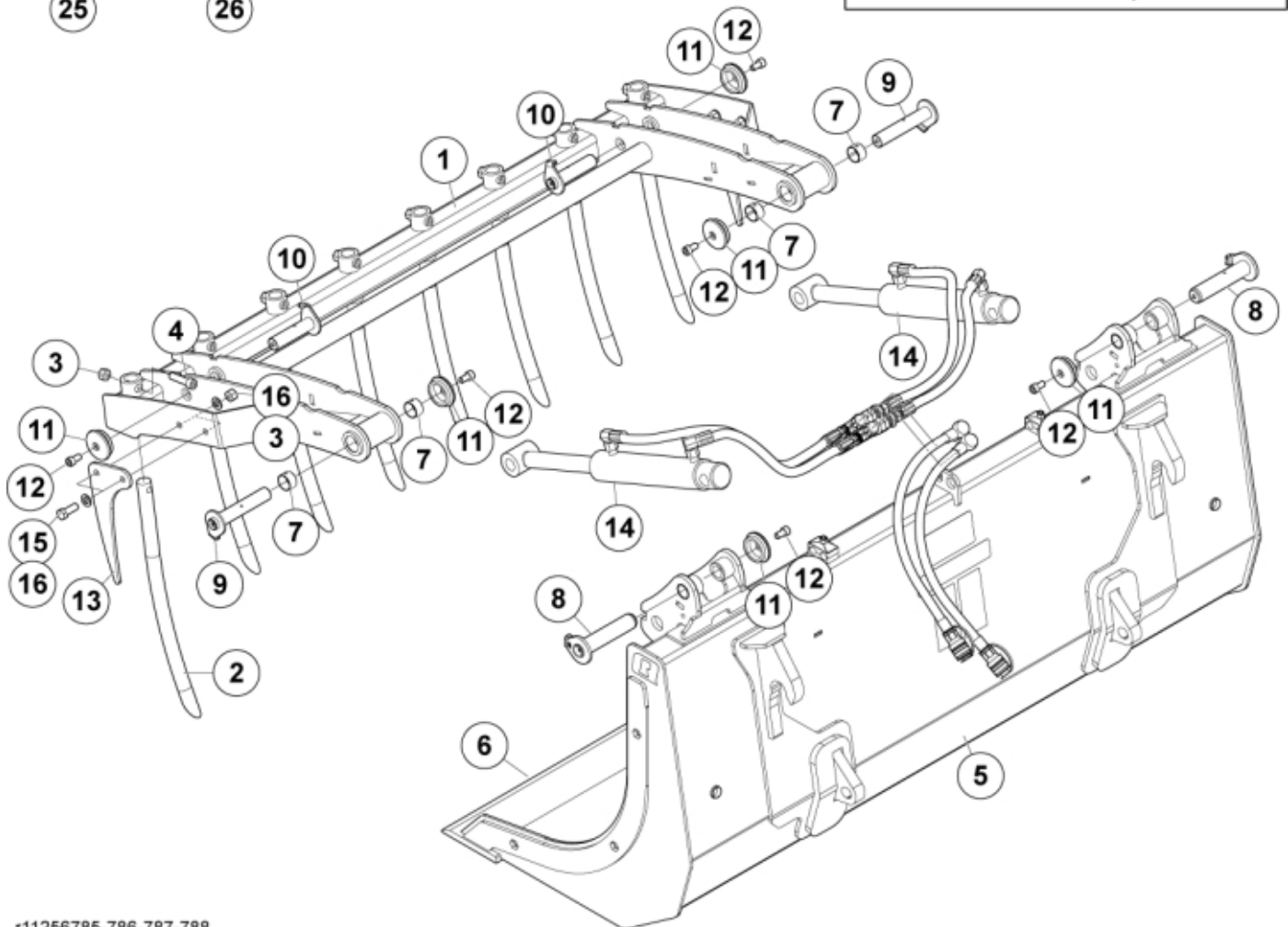
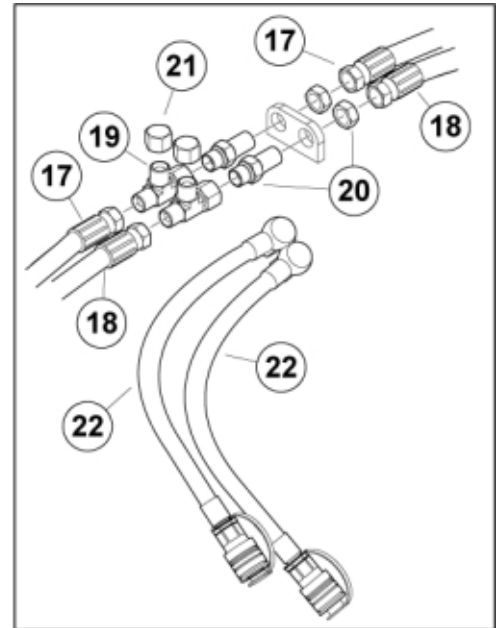


Q Multibenne™ S+ 23

MAX 210 bar 27



r11256785-786-787-788

Part assemblies Multibenne S+ 200 Euro

PartNo	Pos	Qty	Name	Specifications
60109528-17	1	1	Upper part, without tines	
60106817-17	2	10	Tine	
5011555	3	8	Nut	M12 Loc
5004101	4	4 PCS	Screw	MC6S M12 x 50
60110353-17	5	1	Bucket	
60109518	6	1	• Cutting edge	
5018515	7	4	Bushing	D30 L=20
60108736	8	2	Pin	
60019853	9	2	Pin	D=30 L=141 (replaces 5220060)
60110076	10	2	Pin	
5215131	11	6	Locking cover	
5050608	12	6	Screw	MC6S M10x20 Loc
60108327-22	13	2	Side tine	
60118594-1	14	2	Cylinder	Glossy Black
5002103	15	4	Screw	M12 x 35
5013104	16	8	Washer	13.5 x 24 x 2
60057100	17	2 PCS	Hose	3/8" L=1150 1/2GRLM 3/8G90LMC
60057099	18	2 PCS	Hose	3/8" L=950 1/2GRLM 3/8G90LMC
5028031	19	2	T-Adapter	
11120580	20	2	Adapter cpl.	
5028311	21	2	Plug	
60057156	22	2 PCS	Hose	
60051752	23	1 PCS	Decal	Multibenne S+
60056626	24	2	Decal	
1123674	25	1	Warning decal	"Read manual"
1123673	26	1	Warning decal	
60071733	27	1	Decal	"Max 210 bar"