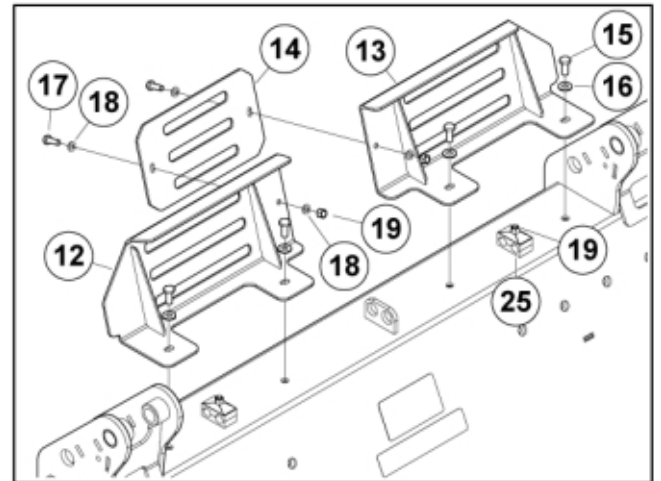
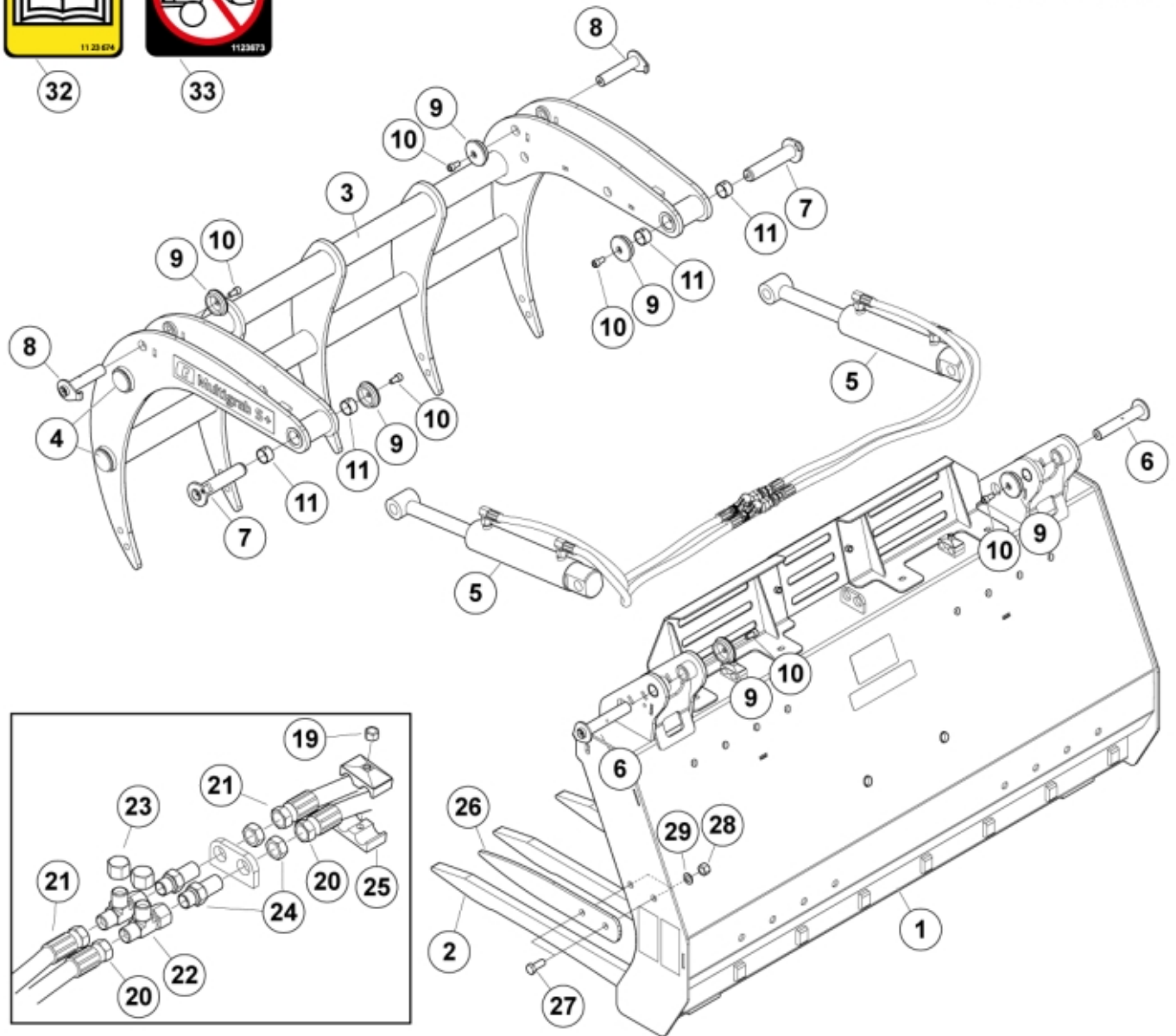


## **Q Multifork S+**

**MAX 210 bar** 



r11256828-29-30-31



**Part assemblies**      Multifork S+ 110

PartNo	Pos	Qty	Name	Specifications
60121499-17	1	1	Frame	
60116051	2	6	• Tine	
60115932-17	3	1	Jaw	
60098231	4	4	Plastic cover	
60051486-1	5	1	Cylinder	
60108736	6	2	Pin	
60019853	7	2	Pin	D=30 L=141 (replaces 5220060)
60112328	8	2	Pin	
5215131	9	6	Locking cover	
5050608	10	6	Screw	MC6S M10x20 Loc
5018515	11	4	Bushing	D30 L=20
60120846-17	12	1	Spillguard LH	
60120845-17	13	1	Spillguard RH	
60120954-22	14	1	Plate	
5002089	15	4	Screw	M6S 10 x 25
5013110	16	4	Washer	BRB 10.5x22x2
5002052	17	2	Screw	M6S M8x25
5013101	18	4	Washer	BRB 8,4 x 16
5011553	19	2	Nut	M6M M8 Loc-king
60051801	20	2	Hose	3/8" L=865 3/8G90LM 3/8GRLM
60051800	21	2	Hose	3/8" L=640 3/8G90LM 3/8GRLM
5028031	22	2	T-Adapter	
5028311	23	2	Plug	
11120580	24	2	Adapter cpl.	
5016968	25	2	Hose clamp	
11260256-22	26	2	Side tine	
5002127	27	1	Screw	M6S M14 x 35
5011556	28	4	Nut	M14
5013107	29	4	Washer	BRB 15 x 26 x 2
60119588	30	2	Decal	Multifork S+
60056626	31	2	Decal	
1123674	32	1	Warning decal	"Read manual"
1123673	33	1	Warning decal	
60071733	34	1	Decal	"Max 210 bar"