

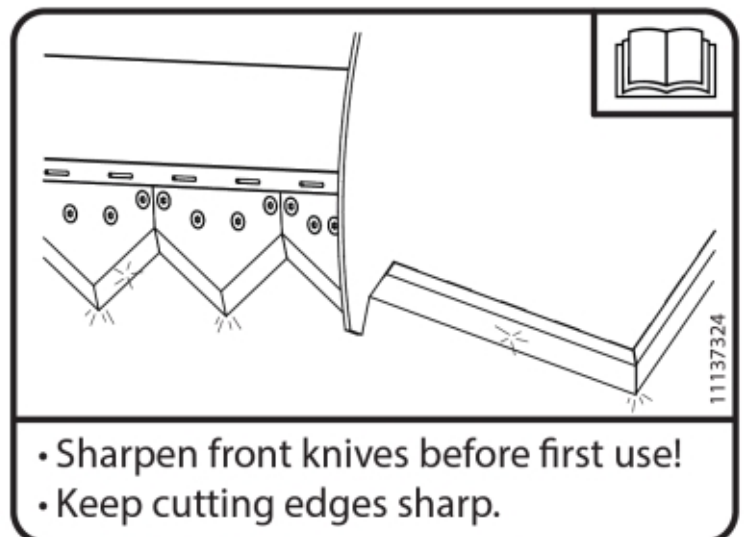
r11257192_1



56



57



58

r11257192_3

Description Incl. Bale wrap handler
Part assemblies Balecut
Specification Year From: 08/04/2026 00:00:00

PartNo	Pos	Qty	Name	Specifications
60102379-17	1	1	Jaw	
60102514-17	2	1	Frame	
5068114-17	3	5	Tine with nut	L=827mm (replaces 5068003)
60119715-1	4	2	Cylinder	06/02/2026 00:00:00
60132129	5	4	Pivot Pin	
60132136	6	2	Pivot Pin	
5002078	7	4	Screw	M6S 10x40 (8.8)
5011554	8	4	Nut	Loc-King M10
5215131	9	2	Locking cover	
5050608	10	2	Screw	MC6S M10x20 Loc
5018904	11	4	Bushing	D40 L=30
60102575	12	2	Hose guide	
60102585	13	1	Bracket	
5013105	14	6	Washer	BRB 17 x 30 x 3 300HV
60020469	15	3	U-bolt	80x80 M16 (60003288)
5011557	16	6	Nut	Loc-King M16
5011553	17	2	Nut	M6M M8 Loc-king
60057131	18	2	Hose	3/8" L=1550 1/2GRLM 3/8G90LMC
60057130	19	2	Hose	3/8" L=1350 1/2GRLM 3/8G90LMC
11120580	20	2	Adapter cpl.	
5053953	21	30	Screw	MF6S M12X25
11262629-22	22	6	Cutting edge	250mm
60089923-22	23	1	Cutting edge RH	
60089924-22	24	1	Cutting edge LH	
60102423-17	25	1	Cover plate	
5002053	26	2	Screw	M6S 8 x 30
60120627-17	27	1	Beam	
60133312-17	28	2	Bracket	
5011054	29	8	Nut	M6M M10
60120588	30	1	Hook assembly	
60064901	31	1	• Cylinder	25/16
60120266	32	8	• Hook	
60120877	33	2	Spring	
60069226	34	1 PCS	Sequence valve	
5013853	35	8	• Dowty washer	Tredo 1/2", Part is included in kit 60007907 Hose cpl., 9032177 Hose cpl.
1120012	36	5	• Adaptor	G 1/2"
5052185	37	1	• Adaptor	R1/2" - R1/2" Ø1
5002102	38	8	Screw	M6S M12X30
5011555	39	4	Nut	M12 Loc
5002105	40	4	Screw	M6S M12x45
5011552	41	2	Locking nut	M6 Locking
5004951	42	2 PCS	Screw	MC6S M6x25
60102167	43	2	Bracket	
5013108	44	4	Washer	BRB 6,4 x 12 x 1,5
60130492	45	2	Hose	3/8" L=910 1/2GRLM 3/8G45LM
5002078	46	4	Screw	M6S 10x40 (8.8)

5013110	47	8	Washer	BRB 10.5x22x2
5013101	48	1	Washer	BRB 8,4 x 16
5013104	49	16	Washer	13.5 x 24 x 2
60120458	50	2	Pivot Pin	
60103196	51	4	Plastic cover	
60056616	52	1	Decal	"Q" medium 110mm
60130056	53	2	Decal	
60034425	54	1	Warning decal	
11136516	55	1	Warning decal	
1123674	56	1	Warning decal	"Read manual"
1123673	57	1	Warning decal	
11137324	58	1	Warning decal	"Keep cutting edges sharp"