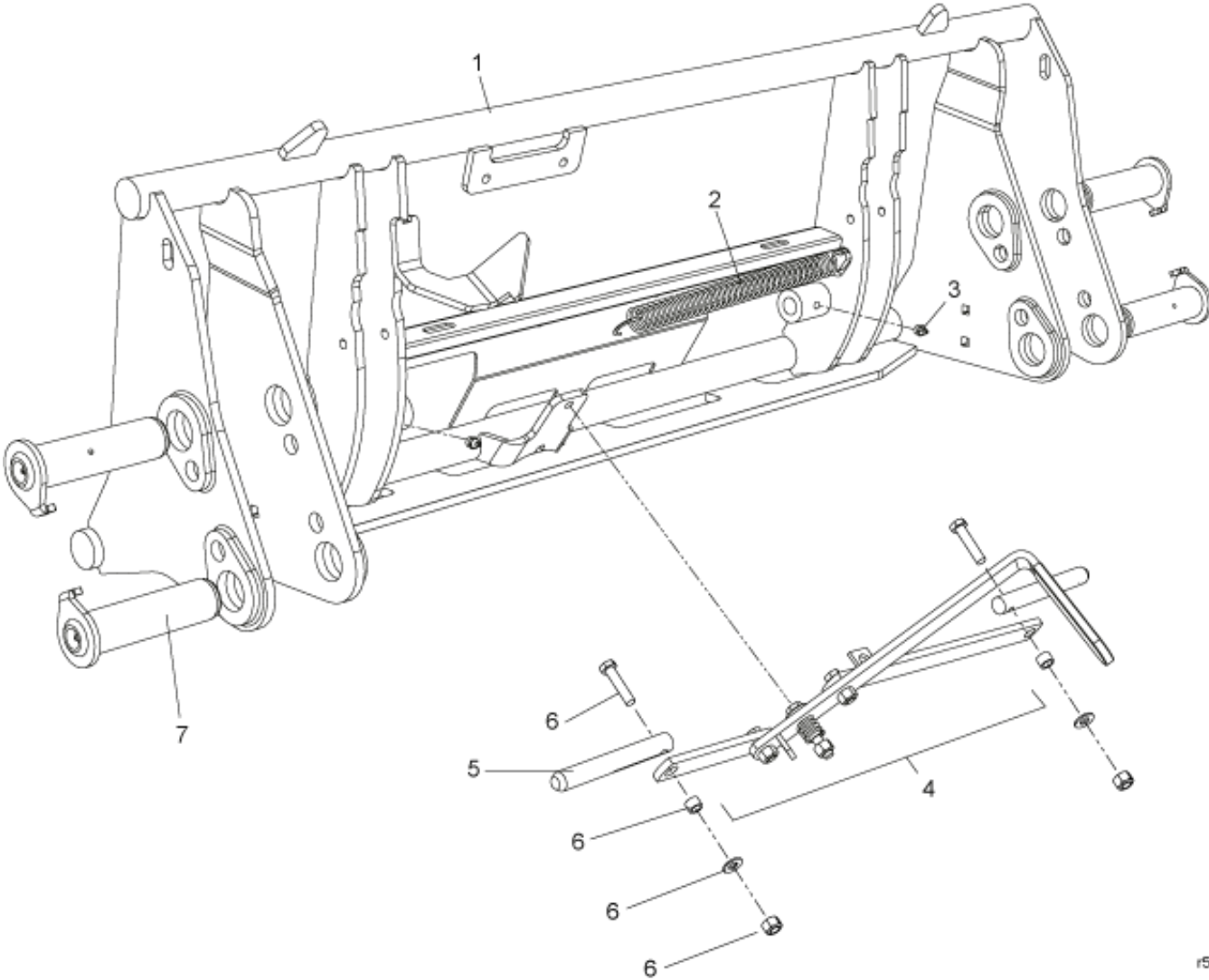


8 - EURO



r5220331

Description Tool carrier
Part assemblies Euro DL
Specification Serial number to: 7282197

PartNo	Pos	Qty	Name	Specifications
5220331-1		1	Euro DL	7282197
5220288-1	1	1 PCS	Tool carrier	Glossy Black
1101035	2	1	Spring	
5023005	3	2	Greaser	M 10 x 1
5220265	4	1	Lever kit	
4500859	5	2	Pin kit	Kit includes 1x Pin and 1x Screw kit
4500867	6	2	• Screw kit	Included in Pin kit
60021068	7	1 PCS	Pin kit	Replaces 9020072