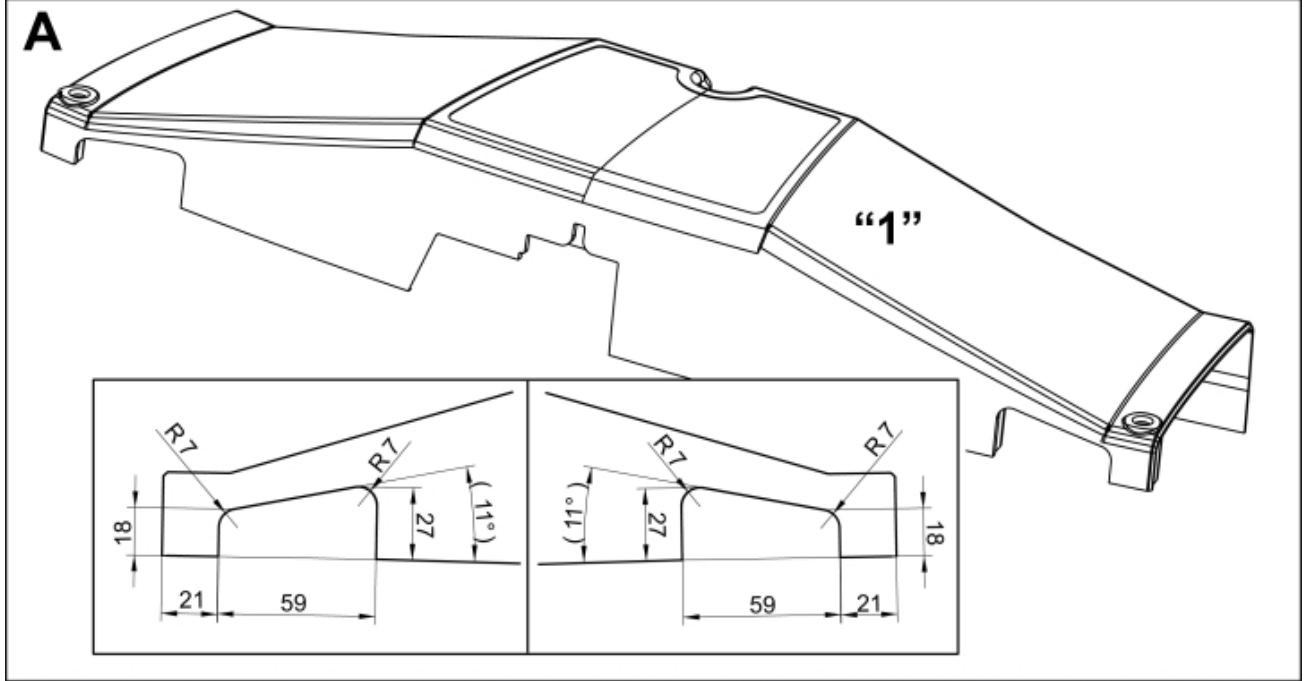
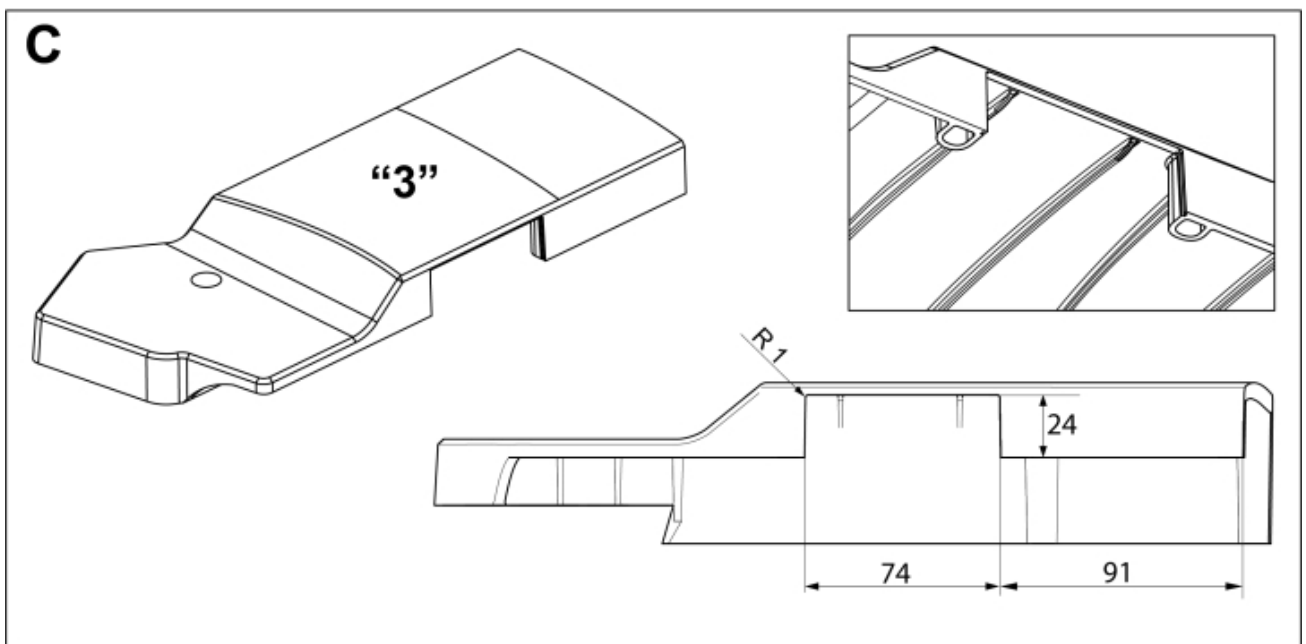
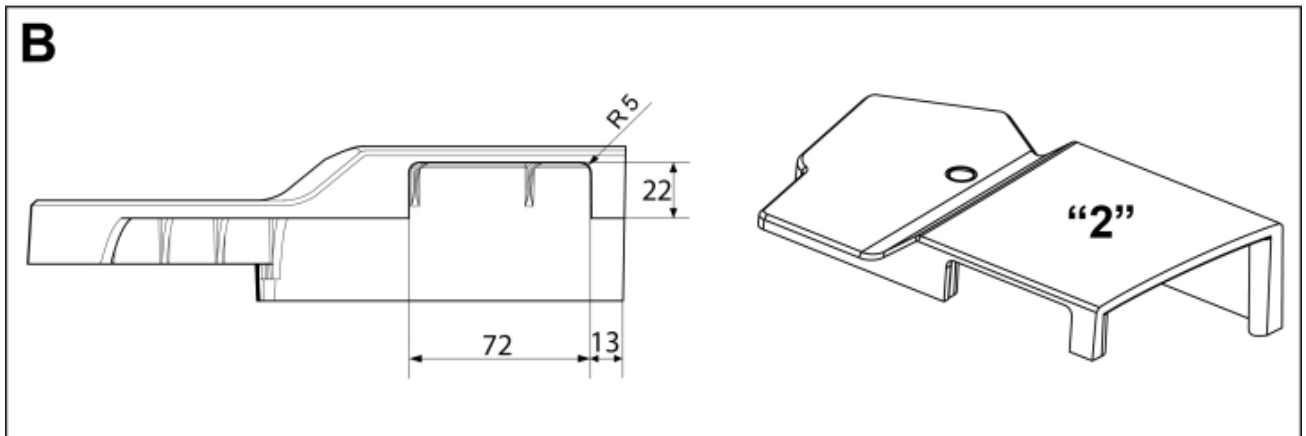



M 5220517-1
M 5220518-1
M 5220519-1
M 5220583-1



M 5220517-518-519-583-2



Part assemblies 4th service LCS
Specification DM

PartNo	Pos	Qty	Name	Specification
5220518		1 PCS	4th service LCS	DM
5219189	1	1 PCS	Bracket Extension	
10550260	2	1 PCS	Diverter valve	
5219183	3	1	Hose guide	
5011554	4	6	Nut	Loc-King M10
5006002	5	4	Screw	MVBF 10x30
5006003	6	2	Screw	MVBF 10x40
9031522		1 PCS	Hose kit	
5220303	7	1	• Bracket	
9032614	8	2 PCS	• Hose	3/8" L=1150mm (9031475)
5022159	9	1	• Washer, blue	
5022157	10	1	• Washer, red	
5044129	11	2	• Dust Cover	
5044940	12	2	• Coupling	3/8" Male
				
5021959		1 PCS	Switch cpl.	