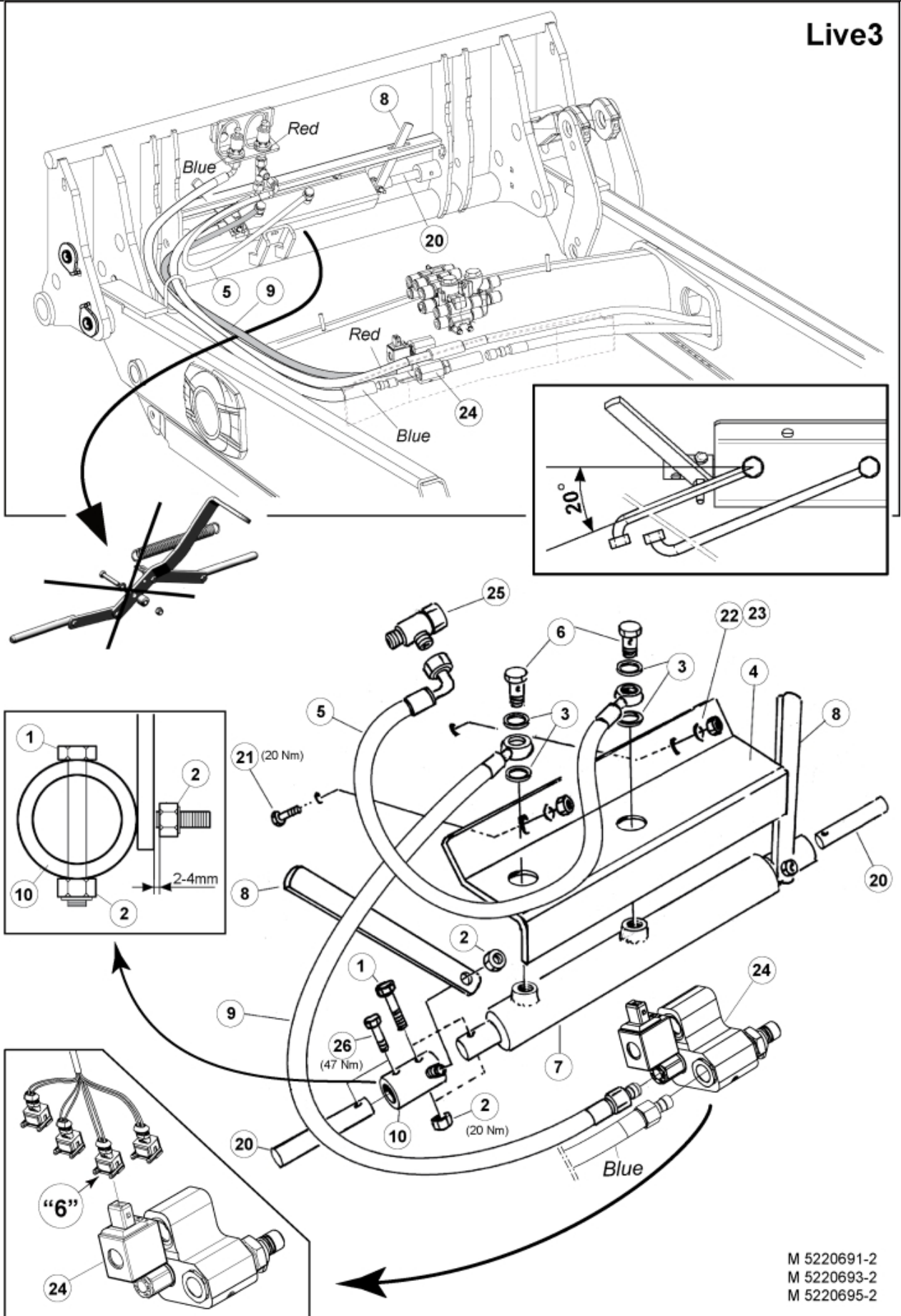


## Live3



| Part assemblies |     | Implement lock    |                     |                            |
|-----------------|-----|-------------------|---------------------|----------------------------|
| Specification   |     | Specification: DS |                     |                            |
| PartNo          | Pos | Qty               | Name                | Specifications             |
| 5220691         |     | 1 PCS             | Implement lock      | DS                         |
| 5219051         |     | 1 PCS             | Implement lock      |                            |
| 5002055         | 1   | 2                 | •• Screw            | M6S M8x40                  |
| 5011553         | 2   | 4                 | •• Nut              | M6M M8 Loc-king            |
| 5013856         | 3   | 4                 | •• Dowty washer     | Tredo 1/4"                 |
| 5219048         | 4   | 1                 | •• Protection plate |                            |
| 60000143        | 5   | 1 PCS             | •• Hose             | 1/4" L=550mm (9031170)     |
| 1120166         | 6   | 2                 | •• Banjo fitting    | R1/4"                      |
| 12713210        | 7   | 1                 | •• Cylinder         | Ø25/16 L=370-590 Lock cyl. |
| 60005579        |     | 1                 | ••• Seal kit        | Implement lock. cyl.       |
| 5219049         | 8   | 2                 | •• Indicator        |                            |
| 60000196        | 9   | 1 PCS             | •• Hose             | 1/4" L=1000mm (9031481)    |
| 5219246         | 10  | 2 PCS             | •• Sleeve           |                            |
| 5219044         | 20  | 2                 | • Pin               | D=20mm                     |
| 5002077         | 21  | 2                 | • Screw             | M6S 10x30                  |
| 5011554         | 22  | 2                 | • Nut               | Loc-King M10               |
| 5013110         | 23  | 2                 | • Washer            | BRB 10.5x22x2              |
| 10550455        | 24  | 1 PCS             | • Valve             |                            |
| 5027454         | 25  | 1                 | • L-coupling        |                            |
| 5002971         | 26  | 2                 | • Screw             | M6S 10x30 Drilock          |
| 5033992         |     | 1                 | Safety switch cpl.  | Replaces 5033991           |