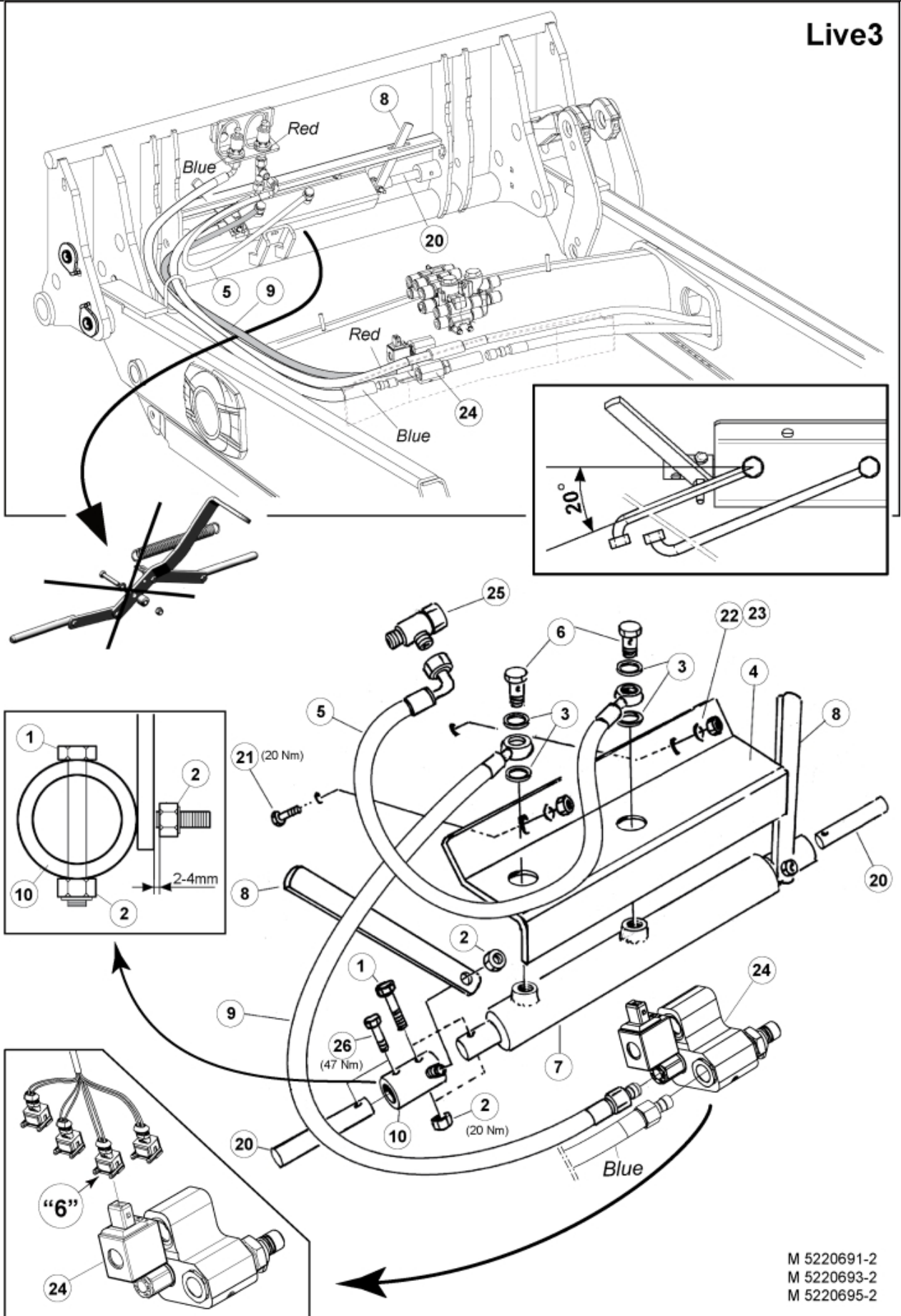


M 5220691
M 5220693
M 5220695

Live3



M 5220691-2
M 5220693-2
M 5220695-2

Part assemblies		Implement lock		
Specification		Specification: DL		
PartNo	Pos	Qty	Name	Specifications
5220695		1 PCS	Implement lock	DL
5219052		1	Locking kit	
5002055	1	2	•• Screw	M6S M8x40
5011553	2	4	•• Nut	M6M M8 Loc-king
5013856	3	4	•• Dowty washer	Tredo 1/4"
5219048	4	1	•• Protection plate	
60000143	5	1 PCS	•• Hose	1/4" L=550mm (9031170)
1120166	6	2	•• Banjo fitting	R1/4"
12713210	7	1	•• Cylinder	Ø25/16 L=370-590 Lock cyl.
60005579		1	••• Seal kit	Implement lock. cyl.
5219049	8	2	•• Indicator	
60000266	9	1 PCS	•• Hose	1/4" L=1300mm (9031483)
5219246	10	2 PCS	•• Sleeve	
5219044	20	2	Pin	D=20mm
5002077	21	2	Screw	M6S 10x30
5011554	22	2	Nut	Loc-King M10
5013110	23	2	Washer	BRB 10.5x22x2
10550455	24	1 PCS	Valve	
5027454	25	1	L-coupling	
5002971	26	2	Screw	M6S 10x30 Drilock
5033992		1	Safety switch cpl.	Replaces 5033991