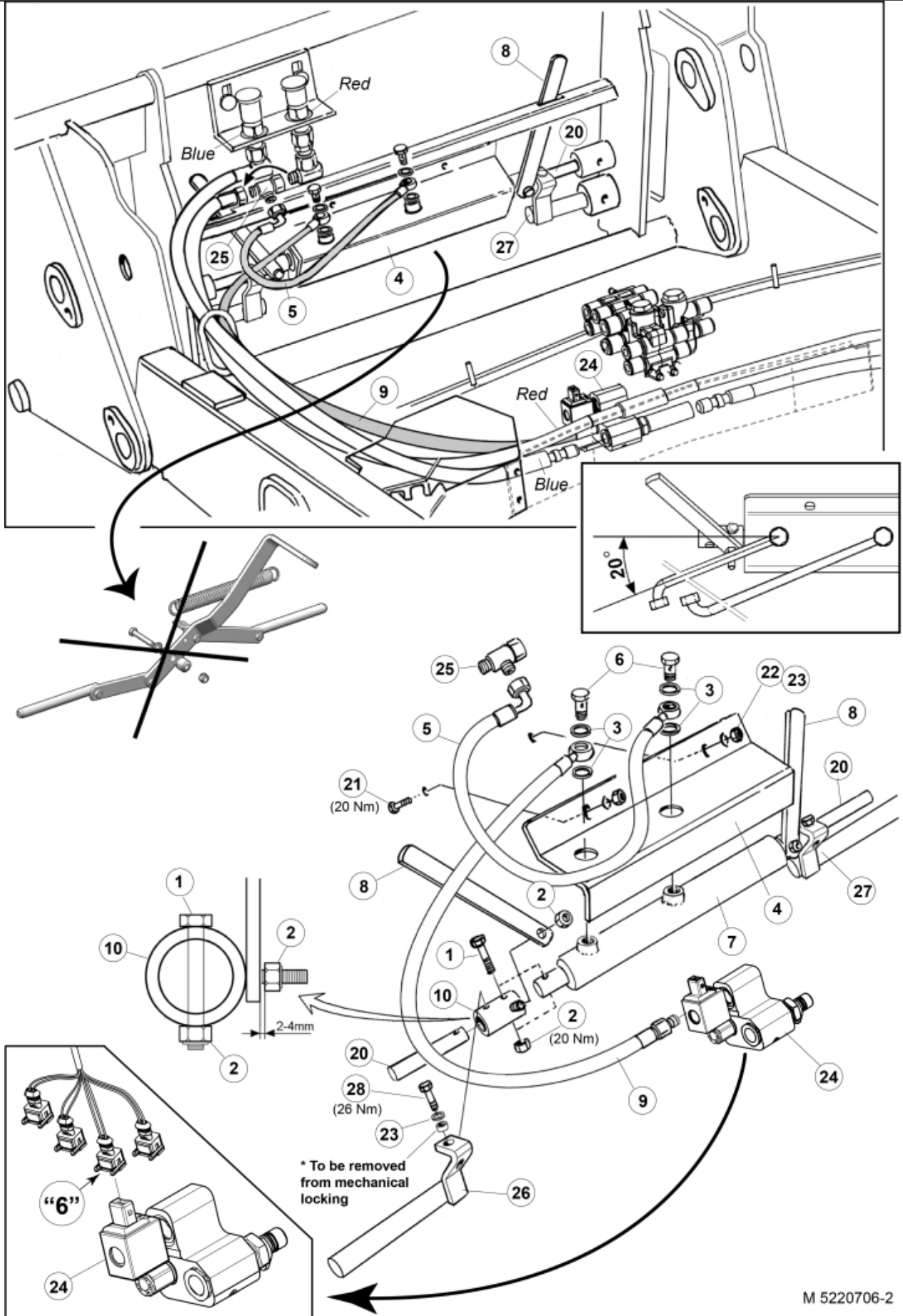


M 5220706



<b>Part assemblies</b>		Implement lock LCS		
<b>Specification</b>		Serial number from: 7332744		
<b>PartNo</b>	<b>Pos</b>	<b>Qty</b>	<b>Name</b>	<b>Specifications</b>
5220706		1 PCS	Implement lock LCS	7332744
5219242		1	Locking kit	6+8 DM
5002055	1	2	•• Screw	M6S M8x40
5011553	2	4	•• Nut	M6M M8 Loc-king
5013856	3	4	•• Dowty washer	Tredo 1/4"
5219243	4	1	•• Protection plate	
60000143	5	1 PCS	•• Hose	1/4" L=550mm (9031170)
1120166	6	2	•• Banjo fitting	R1/4"
12713210	7	1	•• Cylinder	Ø25/16 L=370-590 Lock cyl.
60005579		1	••• Seal kit	Implement lock. cyl.
5219049	8	2	•• Indicator	
60000135	9	1 PCS	•• Hose	1/4" L=1100mm (9031482)
5219240	10	2	•• Sleeve	
5219044	20	2	Pin	D=20mm
5002077	21	2	Screw	M6S 10x30
5011554	22	2	Nut	Loc-King M10
5013110	23	2	Washer	BRB 10.5x22x2
10550455	24	1 PCS	Valve	
5027454	25	1	L-coupling	
5219230	26	1	Pin LH	D=30mm
5219231	27	1	Pin RH	D=30mm
5002972	28	2	Screw	M6S 10x40 Driloc
5219100	*	2	Spacer	
5102112		1	Safety switch cpl.	