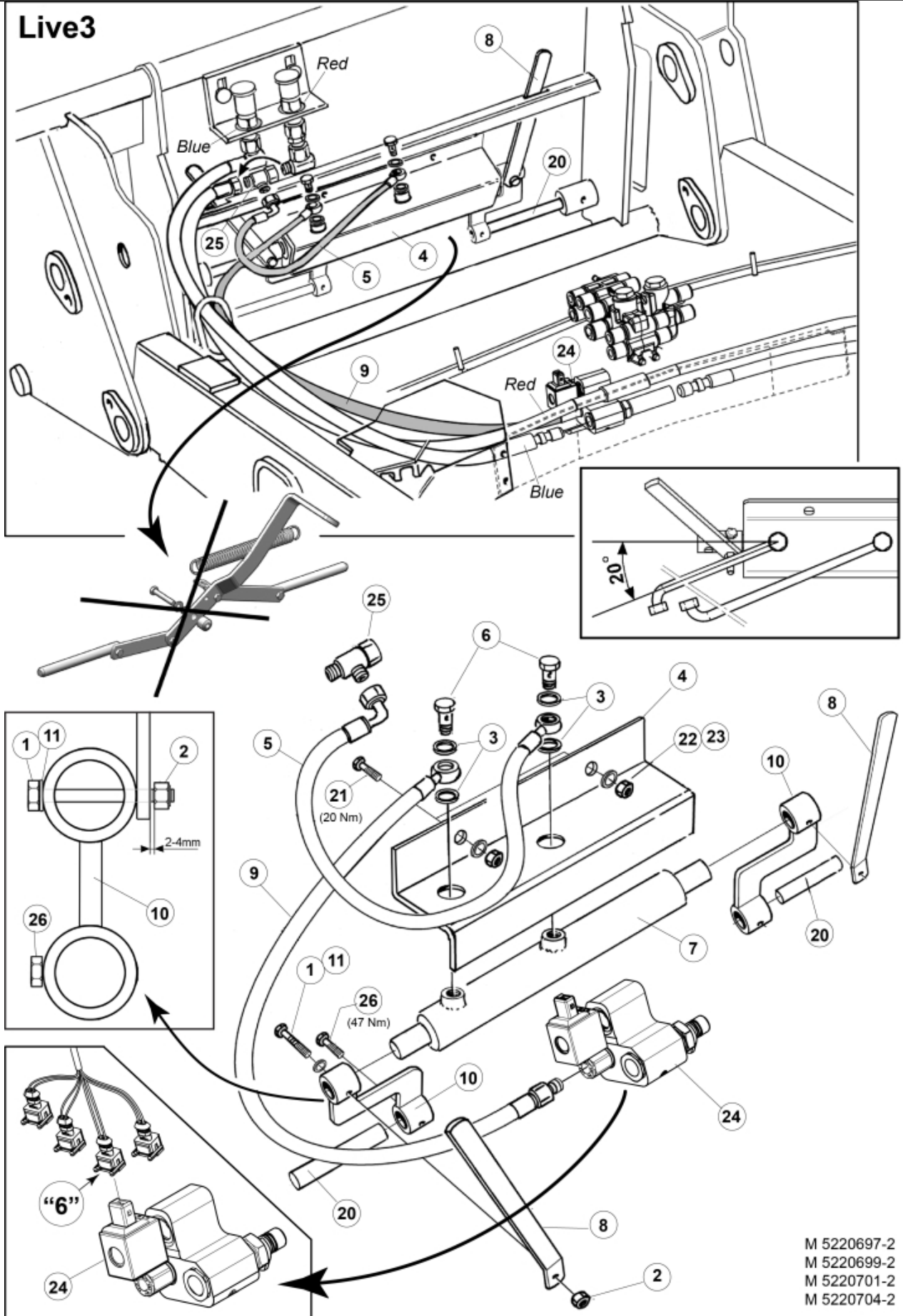


M 5220697
M 5220699
M 5220701
M 5220704



| Part assemblies | | Implement lock LCS | | |
|------------------------|------------|-----------------------------|---------------------|----------------------------|
| Specification | | Serial number from: 7332744 | | |
| PartNo | Pos | Qty | Name | Specifications |
| 5220704 | | 1 PCS | Implement lock LCS | 7332744 |
| 5219345 | | 1 | Locking kit | 3+8 DM |
| 5002056 | 1 | 2 | •• Screw | M6S 8 x 50 |
| 5011553 | 2 | 4 | •• Nut | M6M M8 Loc-king |
| 5013856 | 3 | 4 | •• Dowty washer | Tredo 1/4" |
| 5219343 | 4 | 1 | •• Protection plate | |
| 60000143 | 5 | 1 PCS | •• Hose | 1/4" L=550mm (9031170) |
| 1120166 | 6 | 2 | •• Banjo fitting | R1/4" |
| 12713910-1 | 7 | 1 | •• Cylinder | Ø25/16 L=430-680 Lock cyl. |
| 5219154 | 8 | 2 | •• Indicator | |
| 60000135 | 9 | 1 PCS | •• Hose | 1/4" L=1100mm (9031482) |
| 5219145 | 10 | 2 | •• Adaptor | |
| 5013101 | 11 | 2 | •• Washer | BRB 8,4 x 16 |
| 5219330 | 20 | 2 | Pin | D=20mm |
| 5002077 | 21 | 2 | Screw | M6S 10x30 |
| 5011554 | 22 | 2 | Nut | Loc-King M10 |
| 5013110 | 23 | 2 | Washer | BRB 10.5x22x2 |
| 10550455 | 24 | 1 PCS | Valve | |
| 5027454 | 25 | 1 | L-coupling | |
| 5002971 | 26 | 2 | Screw | M6S 10x30 Drilock |
| 5033992 | | 1 | Safety switch cpl. | Replaces 5033991 |