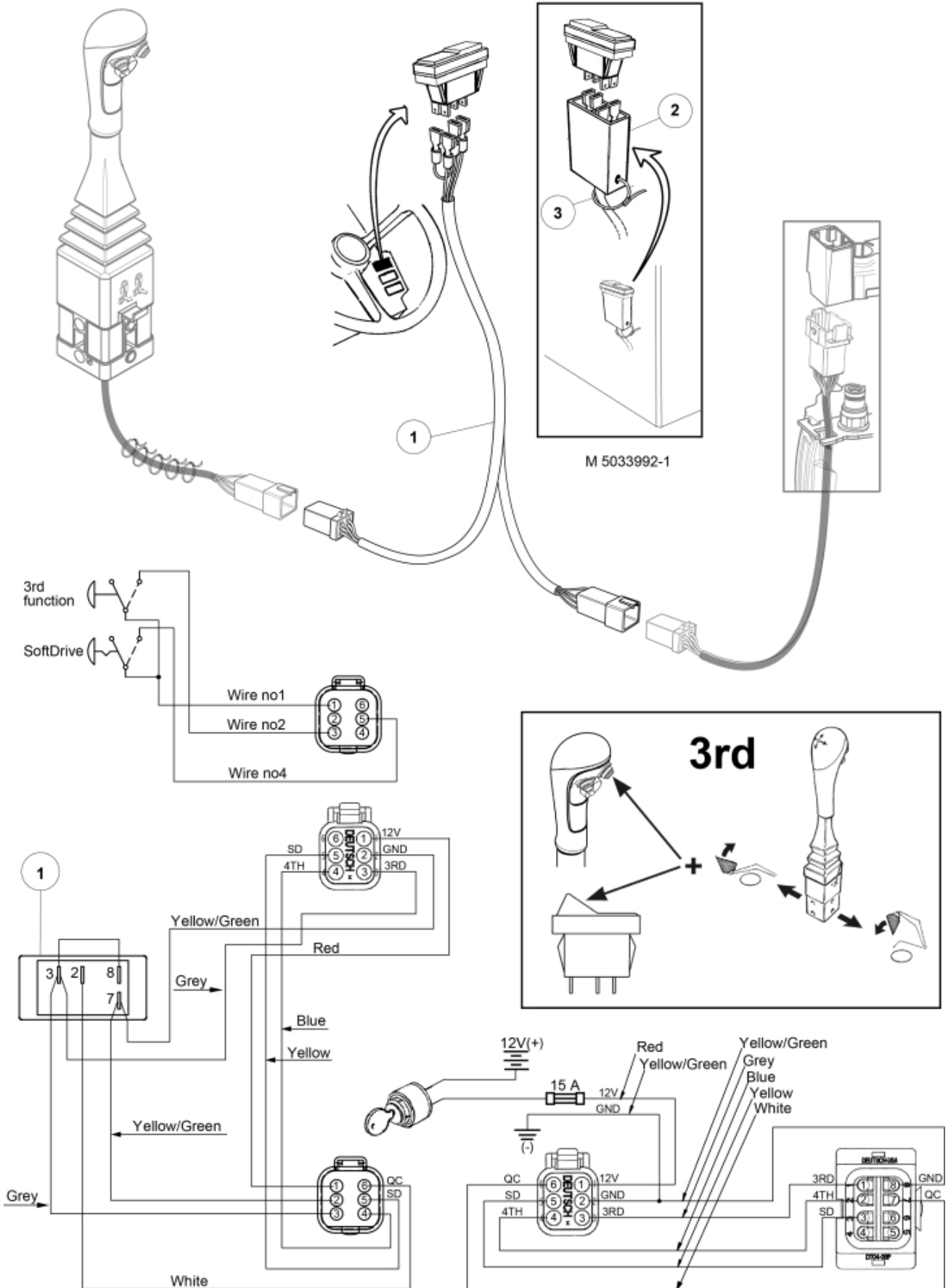
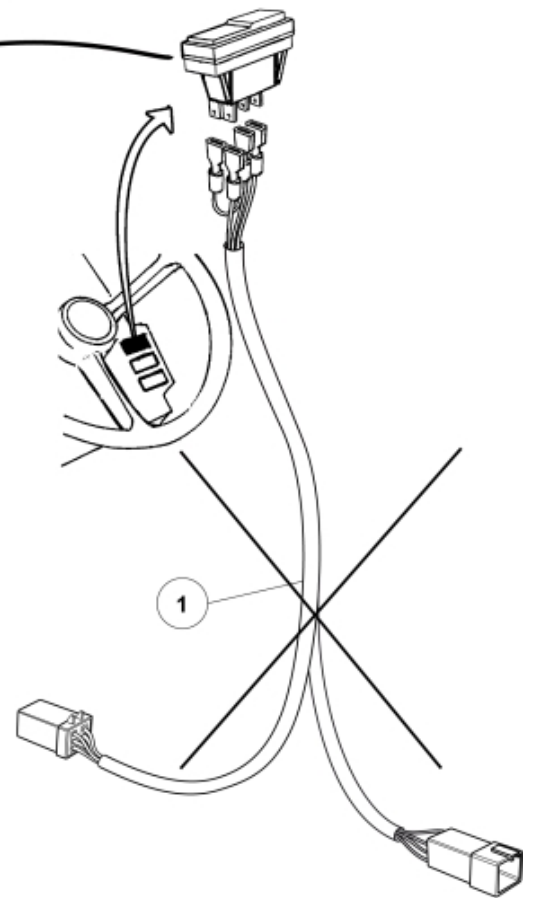
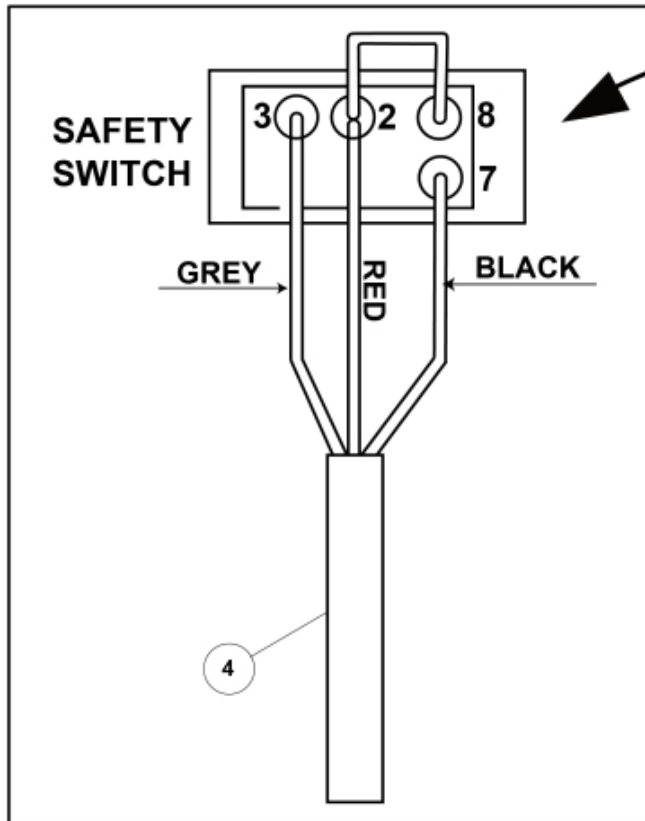


Ergo Drive LCS



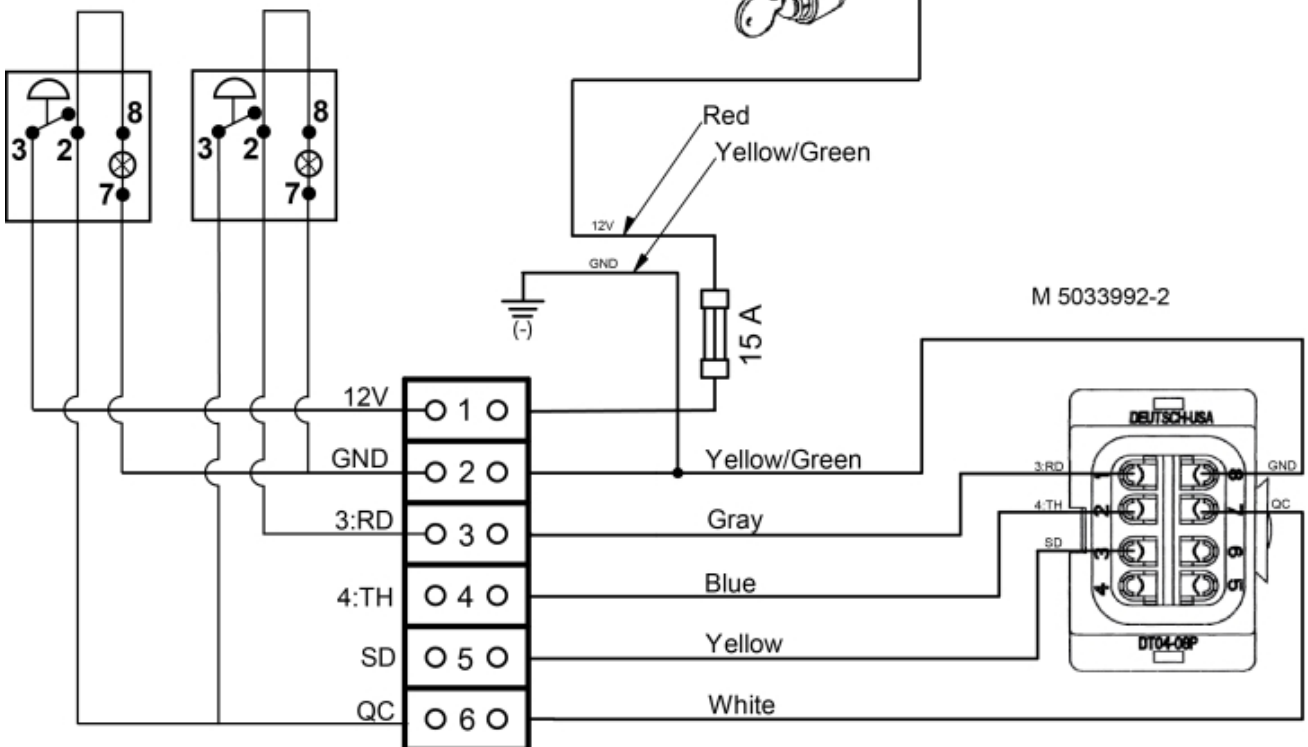
Hose Kit

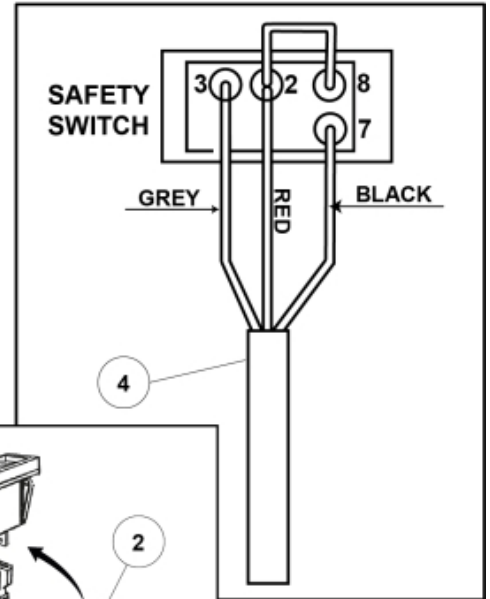
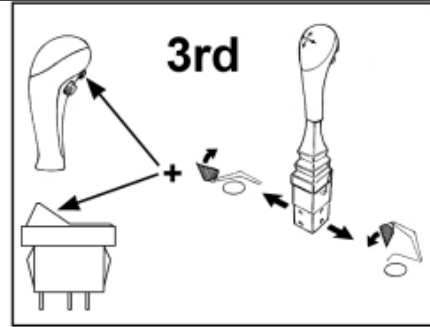
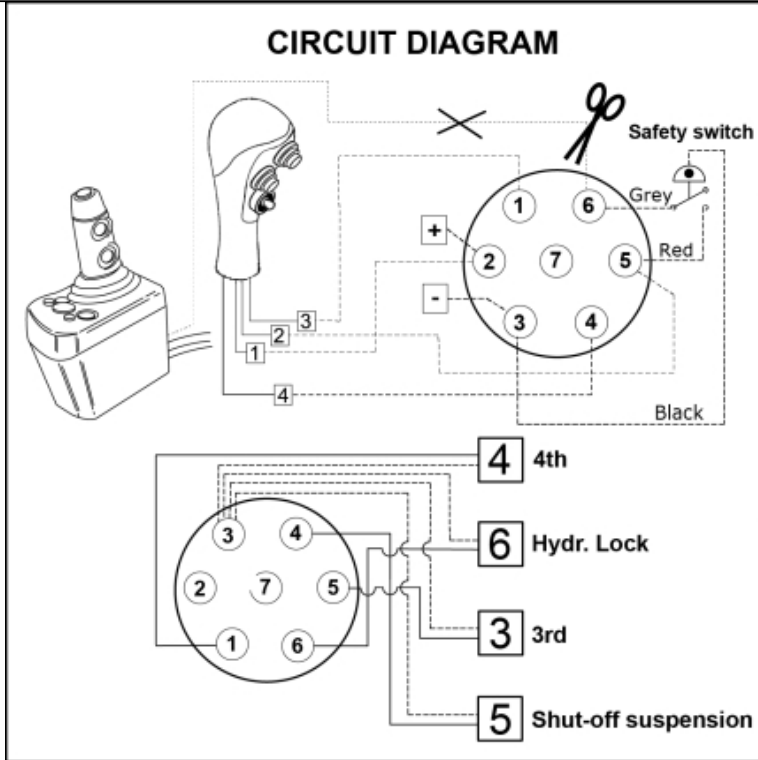


When Hose kit replace org. harness with pos. 4

Hose Kit
Live 3

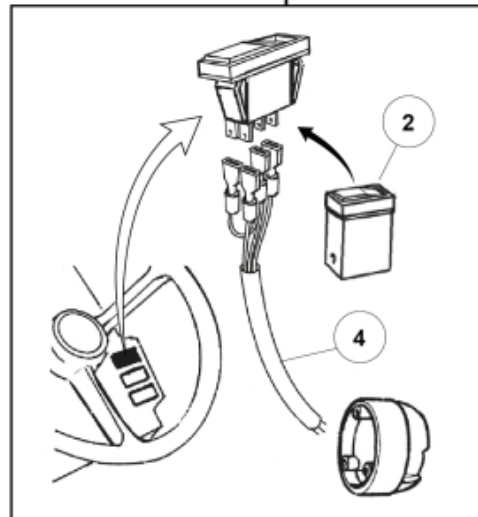
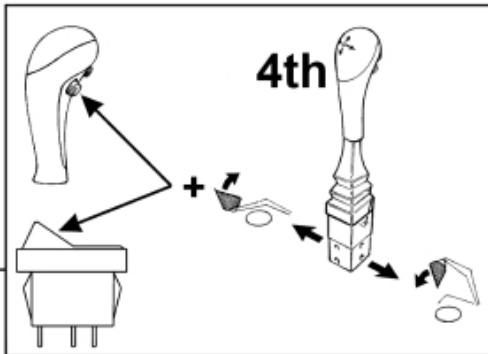
Hose Kit



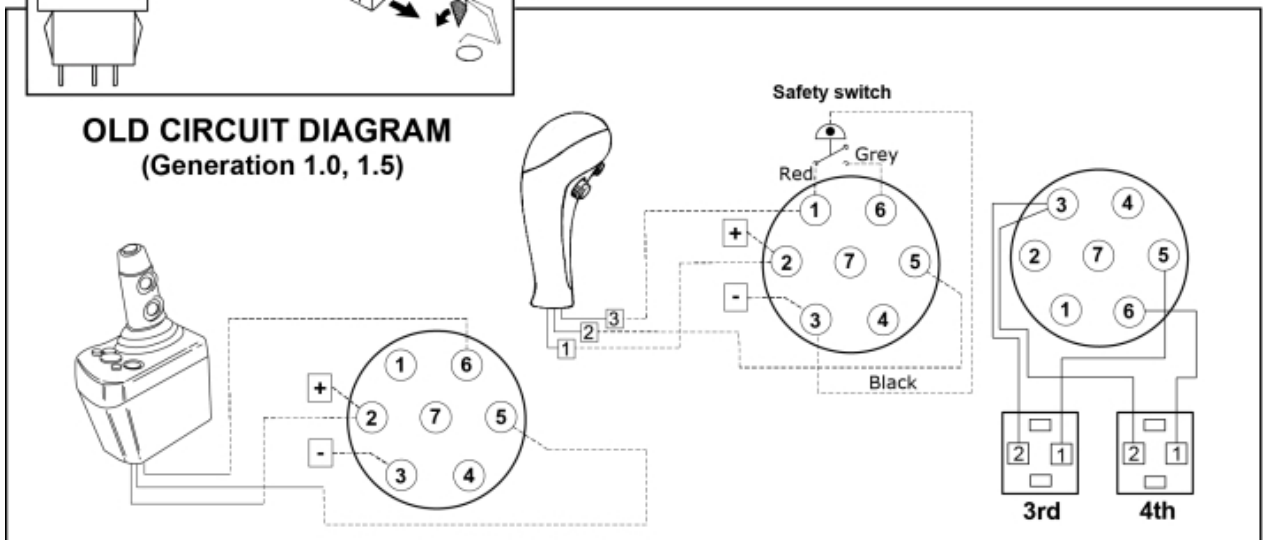


M 5033992-3

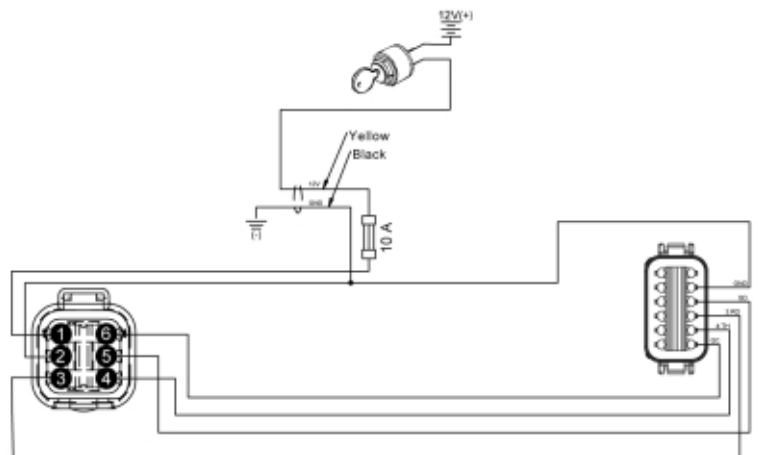
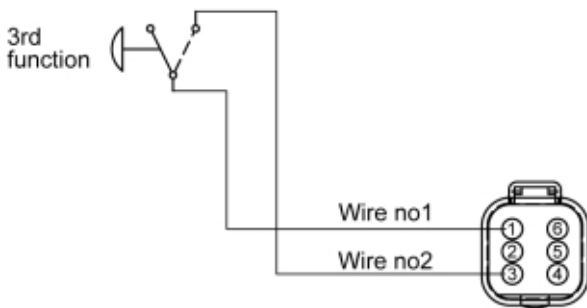
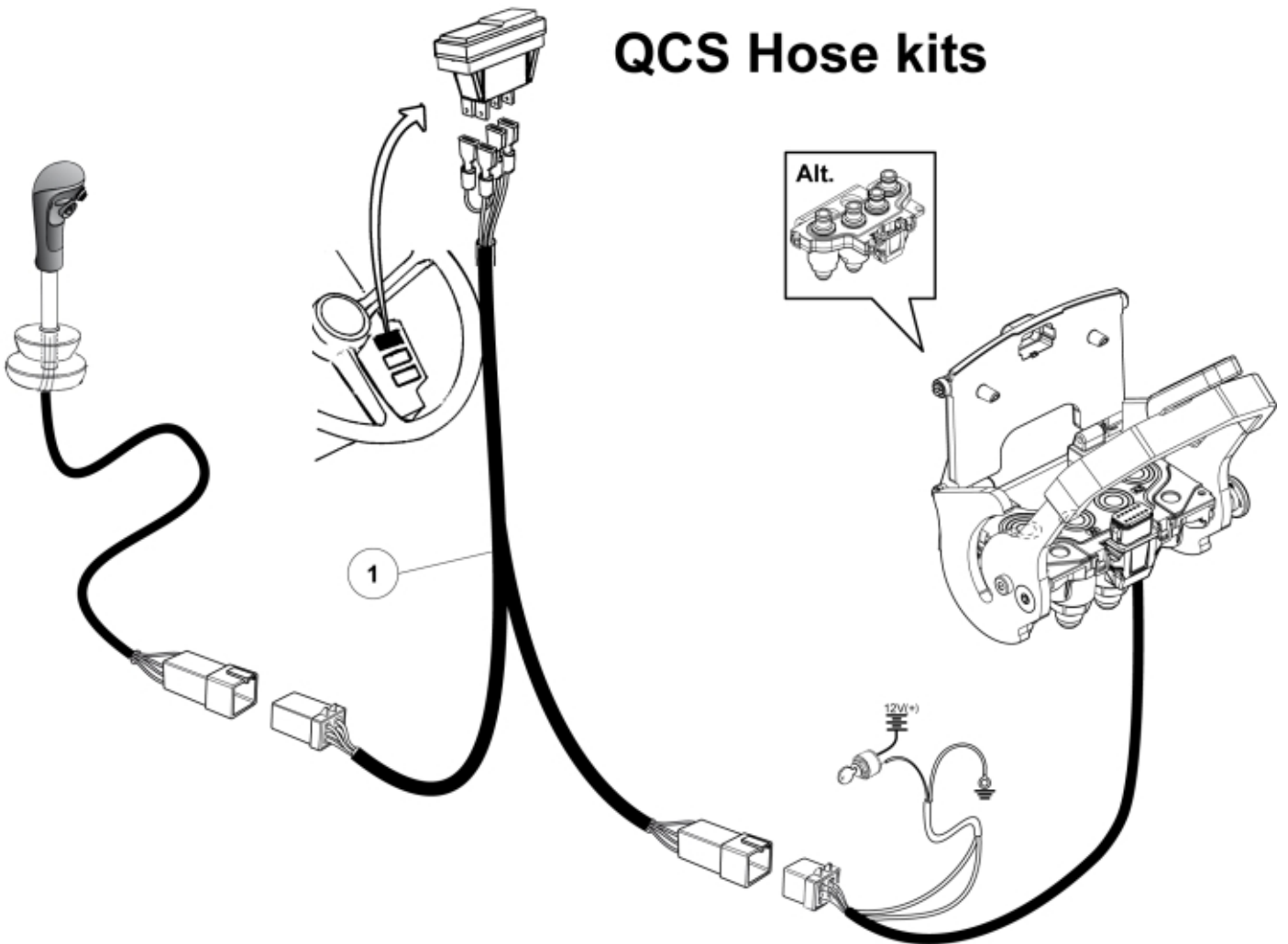
Trailer Contact



OLD CIRCUIT DIAGRAM (Generation 1.0, 1.5)



QCS Hose kits



M 5033992-4

Part assemblies Safety switch cpl.
Specification Specification: Replaces 5033991

PartNo	Pos	Qty	Name	Specifications
5102112	1	1	Safety switch cpl.	
5201086	2	1	Bracket	
5033621	3	10	Cable tie	4.6x150
5102008	4	1	Harness	