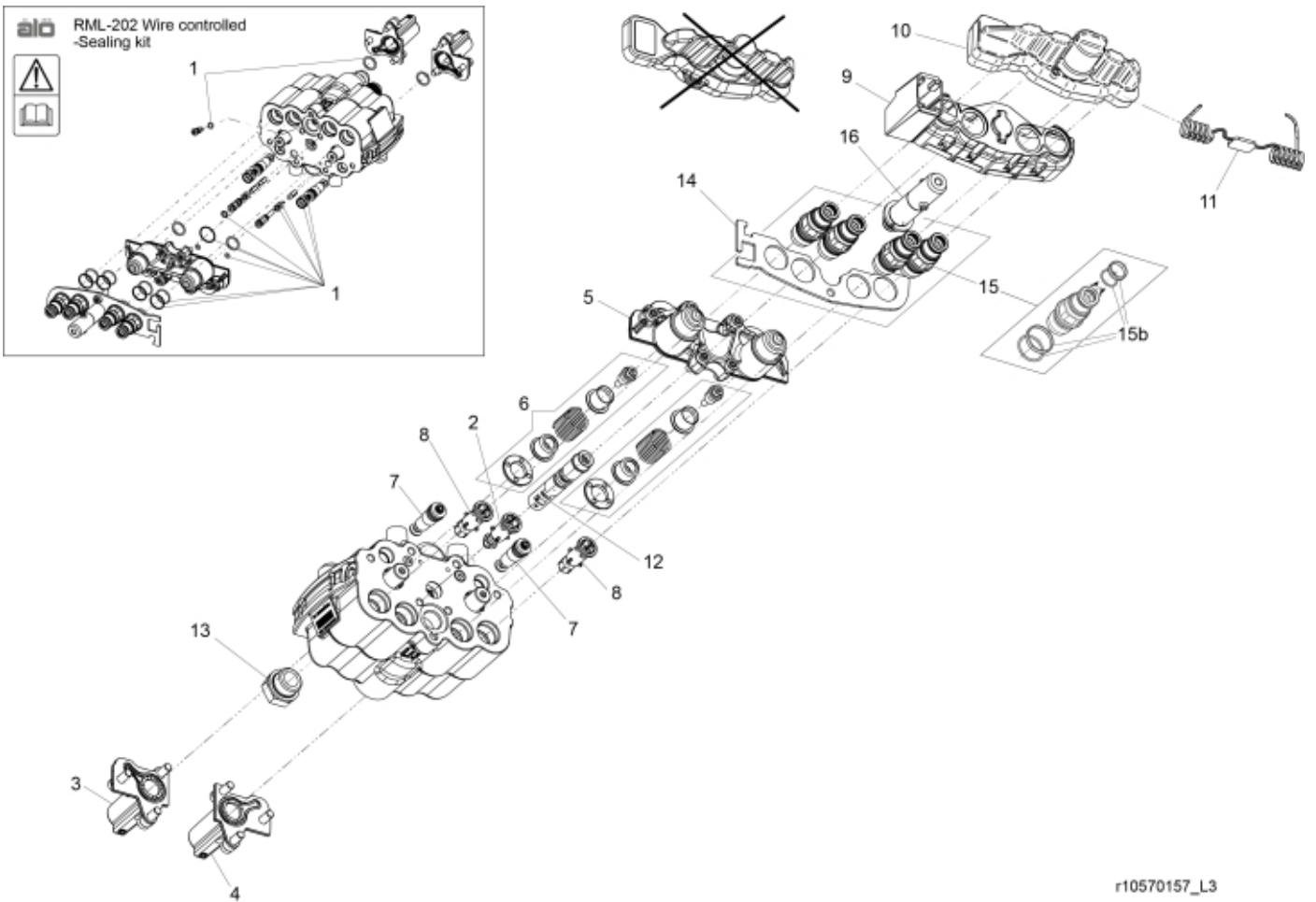
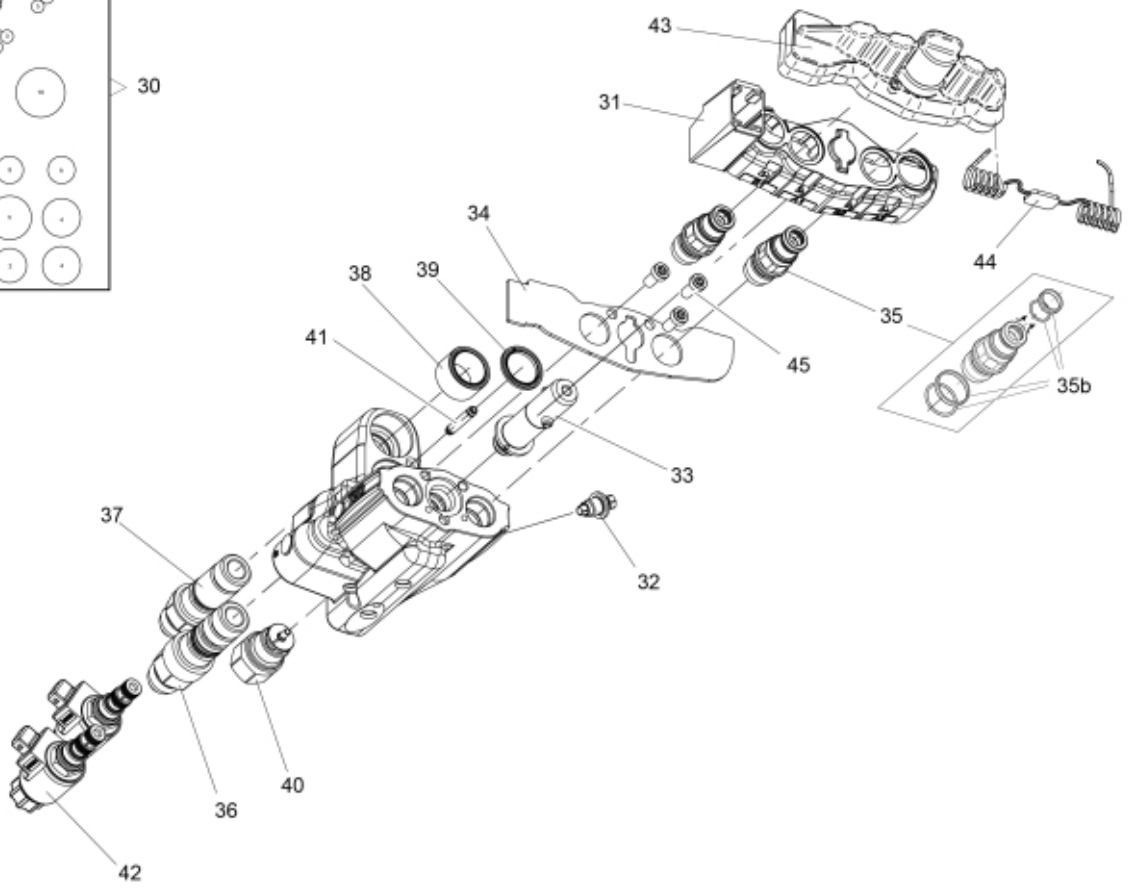
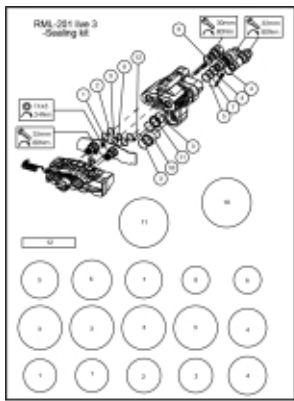


Ergo+Live3





r10570171

<b>Part assemblies</b>		Valve Ergo+Live3 M. LS 225bar shock at lift		
<b>Specification</b>		Specification: Replaces 10570021		
<b>PartNo</b>	<b>Pos</b>	<b>Qty</b>	<b>Name</b>	<b>Specifications</b>
10570159		1	Valve Ergo+Live3 M. LS 225bar shock at lift	Replaces 10570021
4501263	1	1	Seal kit	ErgoDrive LCS
10570072	2	1	Pressure relief valve	Part is included in kit 10570154 Valve STM Professional Live3 OC
10570082	3	1 PCS	Cap LH	
10570081	4	1 PCS	Cap RH	
60008696	5	1 PCS	Top cap	(10570080)
10570079	6	2 PCS	Spool control	
10570069	7	2	Check valve cpl.	Part is included in kit 10570154 Valve STM Professional Live3 OC
10570071	8	2	Check valve cpl.	Part is included in kit 10570154 Valve STM Professional Live3 OC
10570096	9	1	Cap w. marking	Part is included in kit 10570154 Valve STM Professional Live3 OC, Part is included in kit 10570154 Valve STM Professional Live3 OC
5034232	10	1	Cover	Replaces 5033905
10570094	11	1	• Cable tie	
10570181	12	1	Spool LS cpl.	(10570073)
5028092	13	1	Adaptor	BSP3/4"- JIC9/16
10570088	14	1	Cover plate	
4500294	15	4	Coupling (M)	Replaces 5044956/60017561
4501264	15b	1	• Seal kit	1 seal kit/coupling required
10570078	16	1	Adapter Multi coupling	
5102115	29	1	Cable cpl. Live3	
5040064	30	1	Seal kit	
10570096	31	1	Cap w. marking	Part is included in kit 10570154 Valve STM Professional Live3 OC, Part is included in kit 10570154 Valve STM Professional Live3 OC
10570070	32	1 PCS	Check valve cpl.	
10570078	33	1	Adapter Multi coupling	
10570090	34	1 PCS	Cover plate Single 2	
4500294	35	2	Coupling (M)	Replaces 5044956/60017561
4501264	35b	1	• Seal kit	1 seal kit/coupling required
5028090	36	1 PCS	Adapter with sealing	
5028089	37	1 PCS	Adapter with sealing	
5040066	38	1 PCS	Sealing sleeve cpl.	
5040065	39	1 PCS	Sealing sleeve cpl.	
10570074	40	1 PCS	Spool control unit cpl.	
10570075	41	1 PCS	Connecting pipe cpl.	
10570093	42	2	Solenoid	
5034232	43	1	Cover	Replaces 5033905
10570094	44	1	• Cable tie	
5006019	45	3	Screw	8x16 fzb