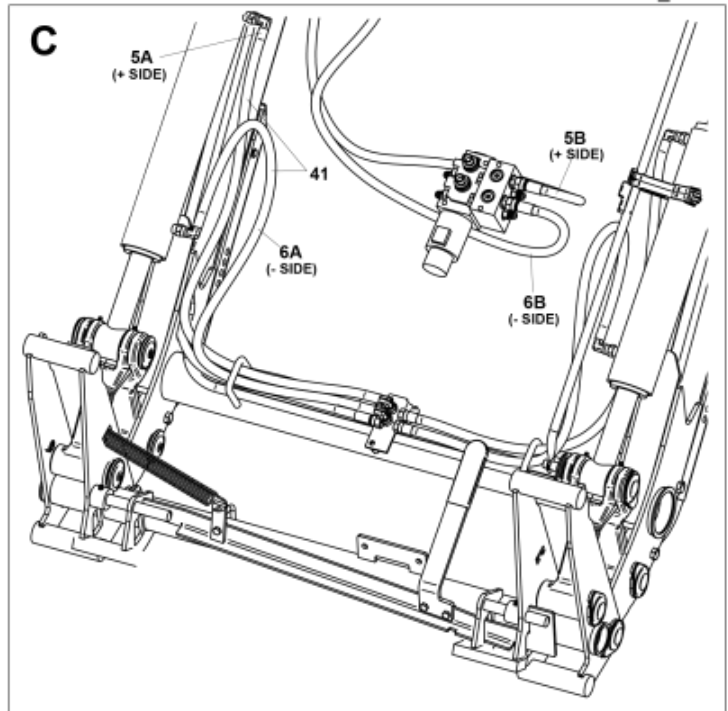
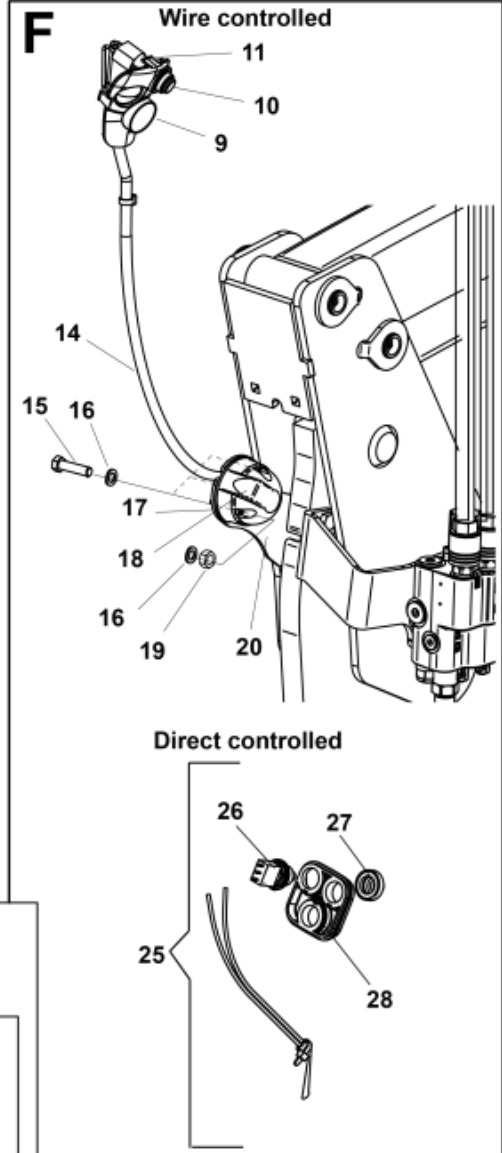
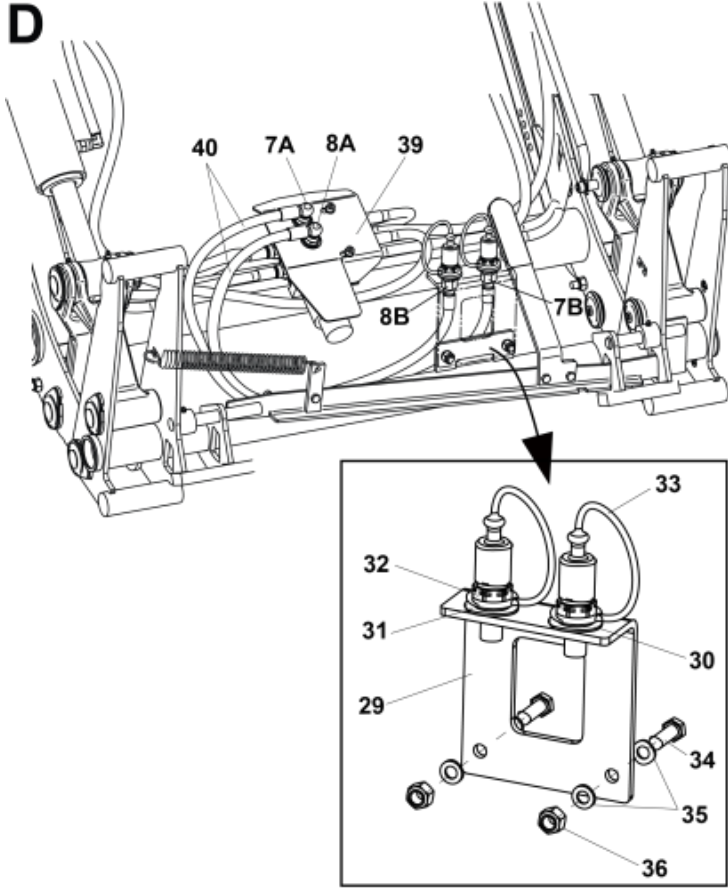
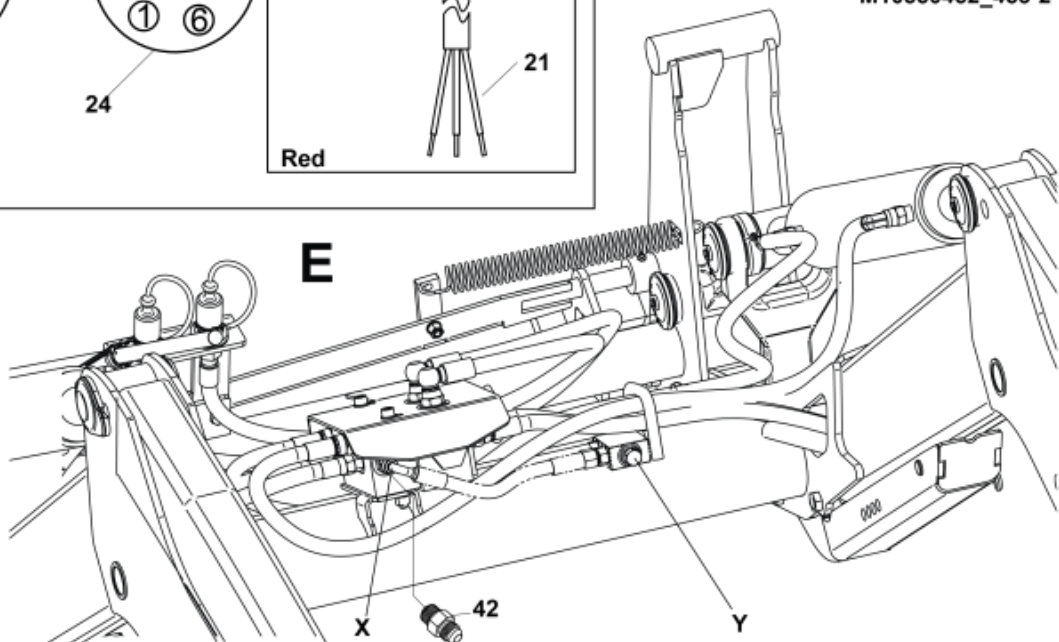
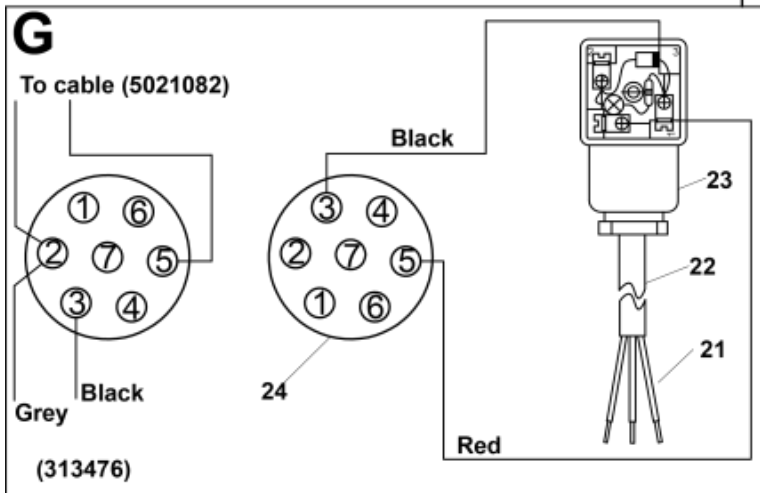


M10550452_453-1





M10550452_453-2



Part assemblies		3rd service - Wire		
Specification		: 31/01/2016 00:00:00		
PartNo	Pos	Qty	Name	Specifications
10550452			3rd service - Wire	31/01/2016 00:00:00
10550449		1 PCS	Control valve	
5028118	1	4	• Adapter short cpl.	9/16" UNF JIC
5028119	2	2	• Adaptor	JIC 9/16 UNF 3/4
5028121	3	3	• Plug	UNF 9/16
5028151	4	2	• Adaptor	3/4" ORB - 3/8 BSP
5221387	5	1	Control valve	
5004054	6	4	• Screw	MC6S M8x80
5004056	6b	4	• Screw	M8x65
5039034	7	2	• O-ring	
10550439	8	1 PCS	• Valve block	
5021082	9	1	Boot	1 switch
5024365	10	1	• Switch	A 294813
5024366	11	1	• Boot	A 294814
313497			Electric mounting kit	
313476	14	1	Electr. Cable	
5004914	15	3	Screw	M5x40
5013112	16	6	Washer	5,3x10x1,5
5102039	17	1	Rubber boot	For caravan connector
5024378	18	1	Connector, female	7-Pole
5011051	19	3	Nut	M6M 5
5201142	20	1	Connector Support	
5024205	21	1	Cable	
5102152	22	1	Cable	L=4400mm
5024376	23	1	Connector	
5024379	24	1	Connector	
5221949		1 PCS	Bracket	
5221946	29	1 PCS	Bracket	
5022157	30	1	Washer, red	
5022159	31	1	Washer, blue	
5044940	32	2	Coupling	ISO-A 1/2" Male - G3/8
5044129	33	2	Dust Cover	1/2" Male
5002077	34	2	Screw	M6S 10x30
5013102	35	4	Washer	BRB 10 x 18 x 2
5011554	36	2	Nut	Loc-King M10
5004058	37	2 PCS	Screw	MC6S M8x100
5013101	38	2	Washer	BRB 8,4 x 16
5221954	39	1 PCS	Protection plate	
1103117	40	2	Hose	3/8"
9031913	41	1 PCS	Hose	3/8 1370 4
5028118	42	1	Adapter short cpl.	9/16" UNF JIC