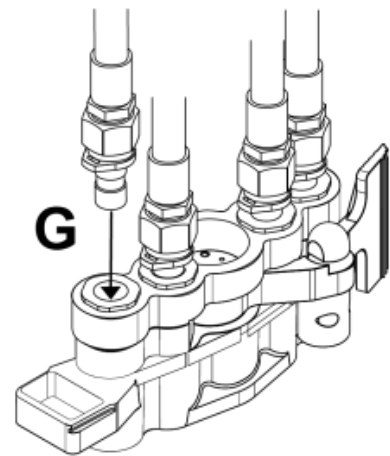
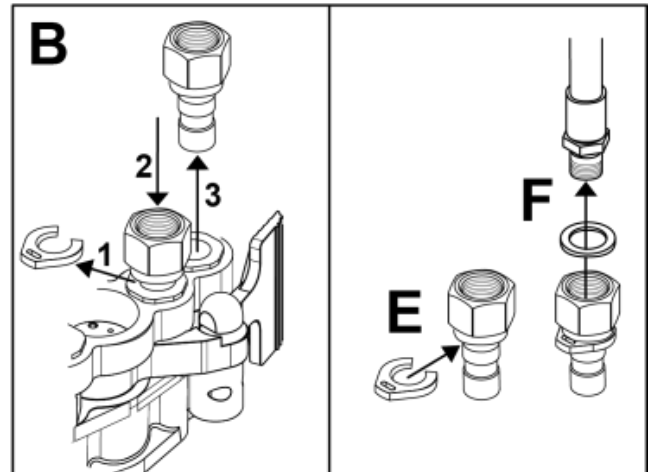
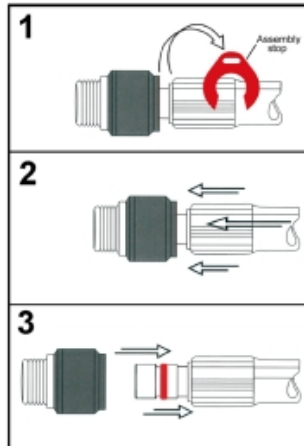


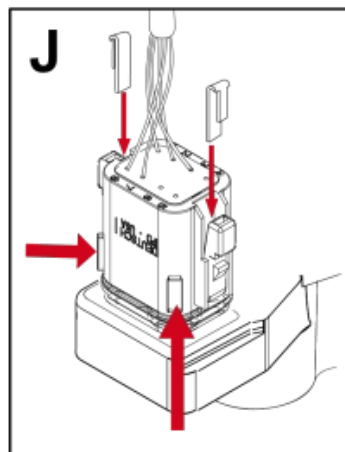
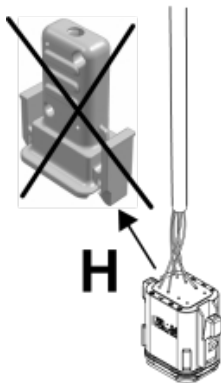
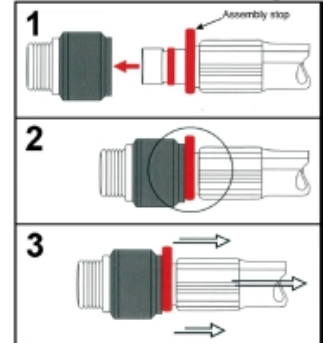
M 5220530



C
DISCONNECTION WEO Plug-In



D
CONNECTION WEO Plug-In



Part assemblies Conversion Kit

PartNo	Pos	Qty	Name	Specifications
5044949	1	1	Multi coupling MC4	MC-4