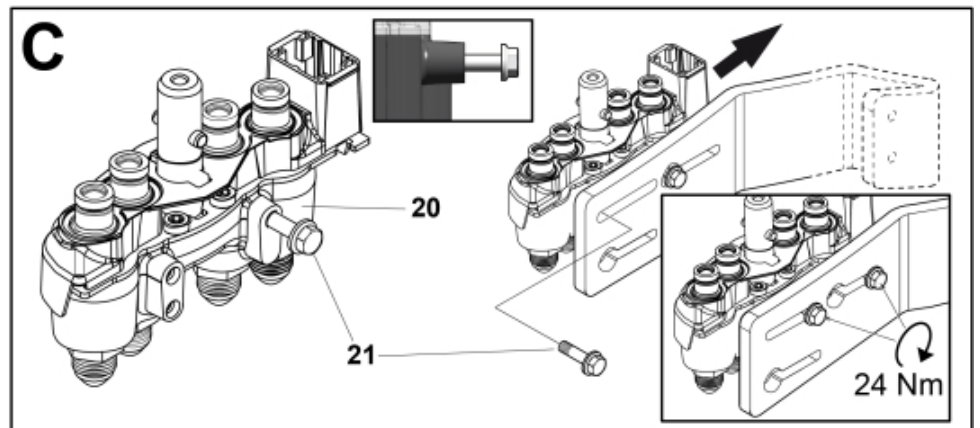
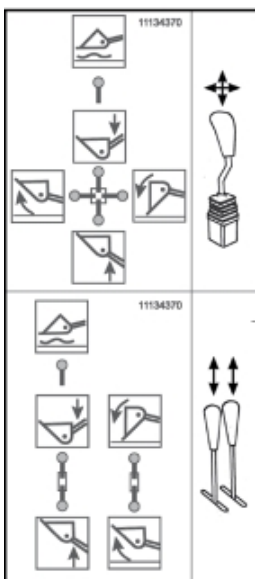
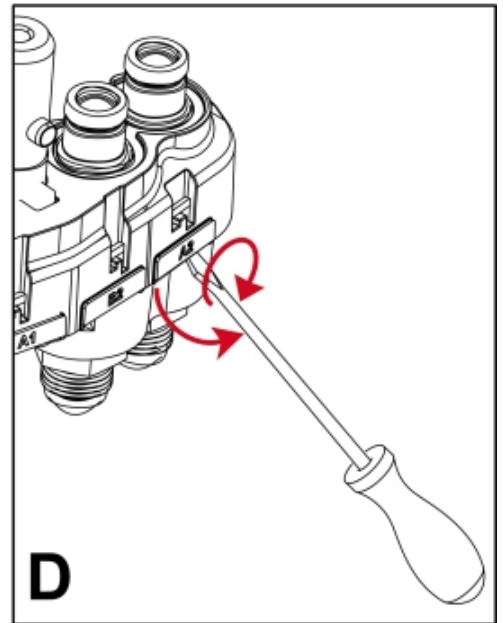
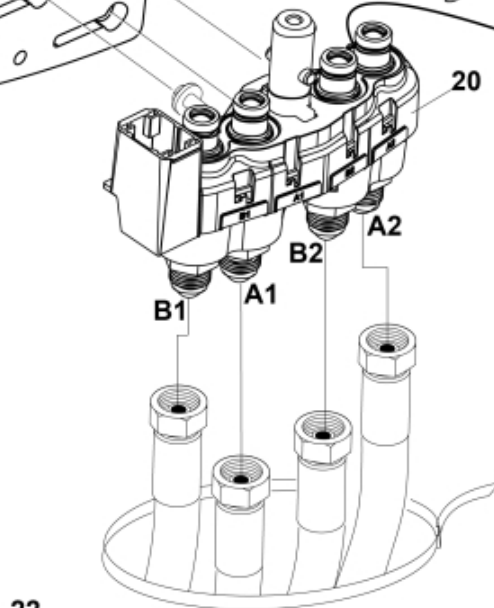
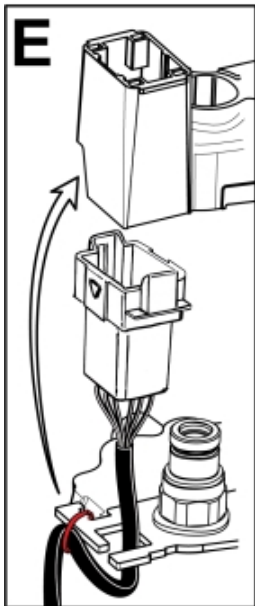


M 5034202F



---

<b>Description</b>	CNH OEM
<b>Part assemblies</b>	MC4 Conversion

---

<b>PartNo</b>	<b>Pos</b>	<b>Qty</b>	<b>Name</b>	<b>Specifications</b>
5034202F			MC4 Conversion	
5044990	20	1	Base MC4 J. 7/8"	Replaces 5044952
5006018	21	3	Screw	M6SF M8x25
11135173	22	1	Decal	
11134370	23	1	Decal	