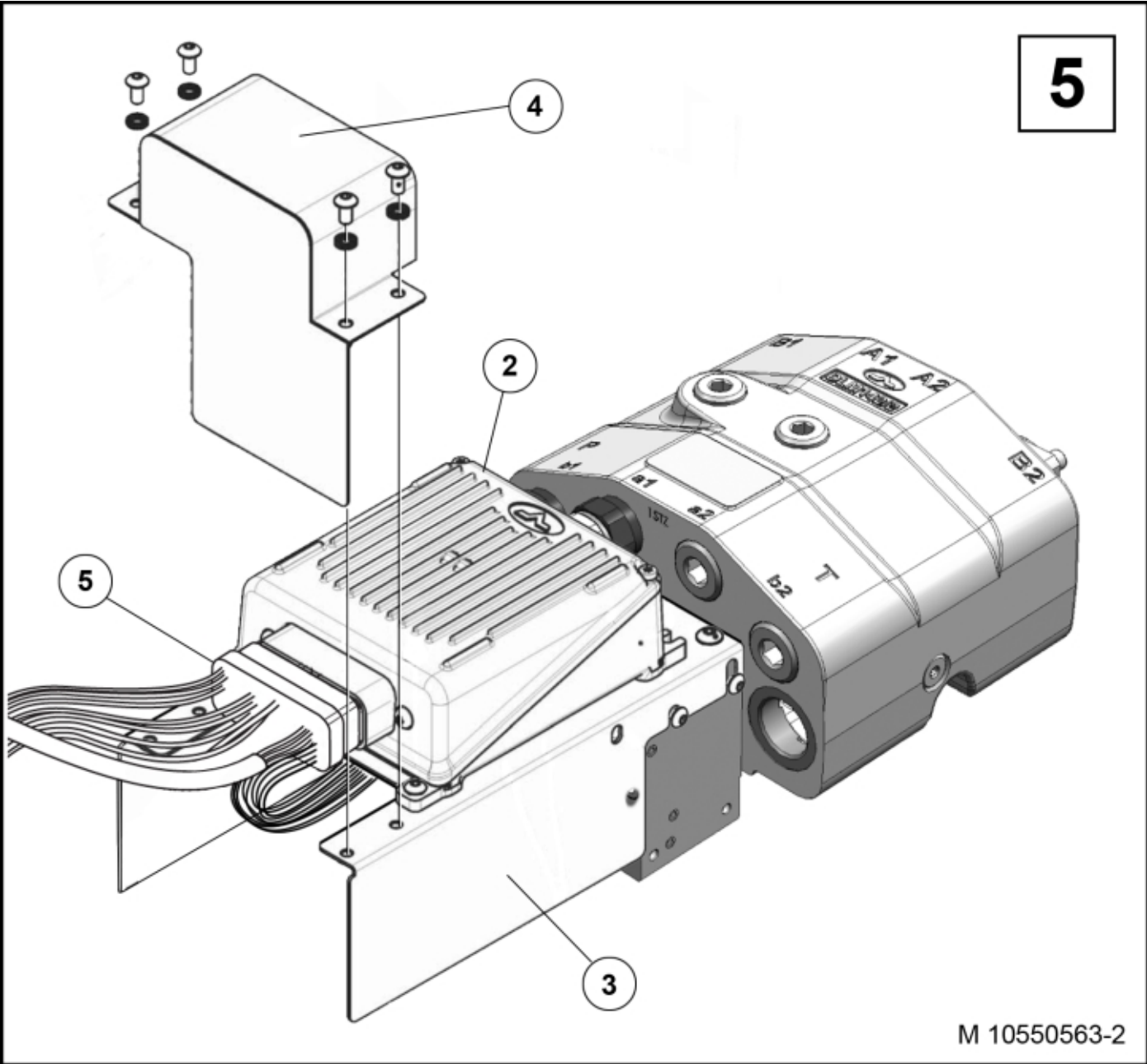


M 10550563-1



M 10550563-2

Part assemblies SMS CDC2 Kit

PartNo	Pos	Qty	Name	Specifications
10550563		1 PCS	SMS CDC2 Kit	
5101110	1	1 PCS	• SMS CDC2 Kit	
5101111	2	1 PCS	•• Control unit	
10550566	3	1 PCS	•• Cover	
10550567	4	1 PCS	•• Cover	
5102160	5	1	• Electr. Cable	