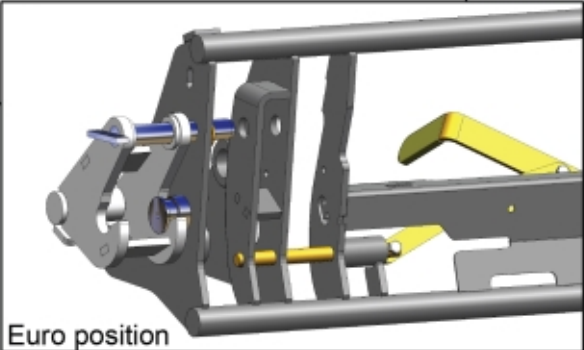
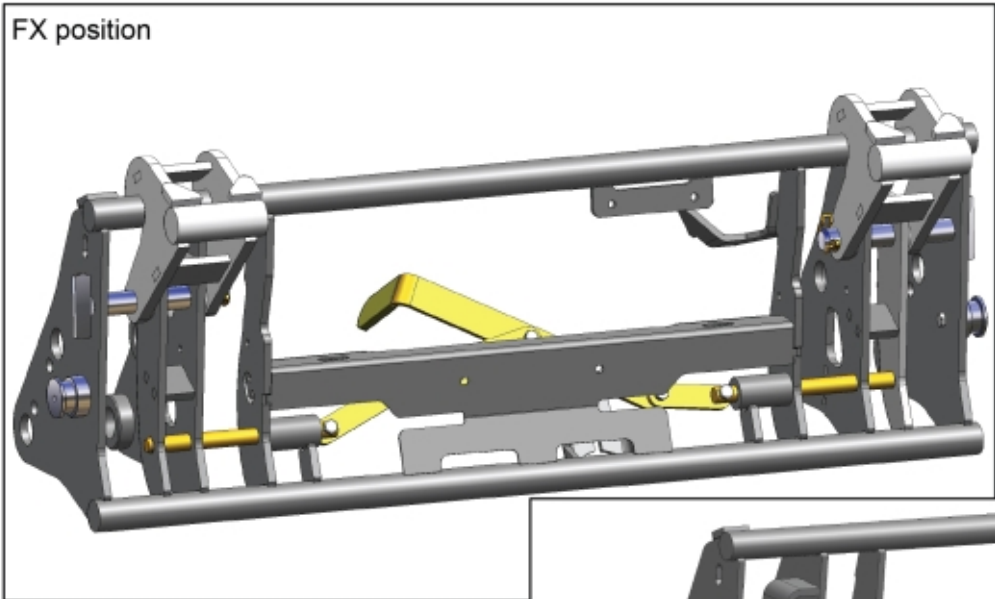


M 5220720



Euro position

---

**Part assemblies**      FX Adaptor Kit

---

<b>PartNo</b>	<b>Pos</b>	<b>Qty</b>	<b>Name</b>	<b>Specifications</b>
5220720		1 PCS	FX Adaptor Kit	
5220710	1	2 PCS	• FX Adaptor	
5220719	2	2	• Locking Pin	
5006027	3	2	• Retaining ring	
5220717	4	2 PCS	• Sleeve	
5002077	5	2	• Screw	M6S 10x30