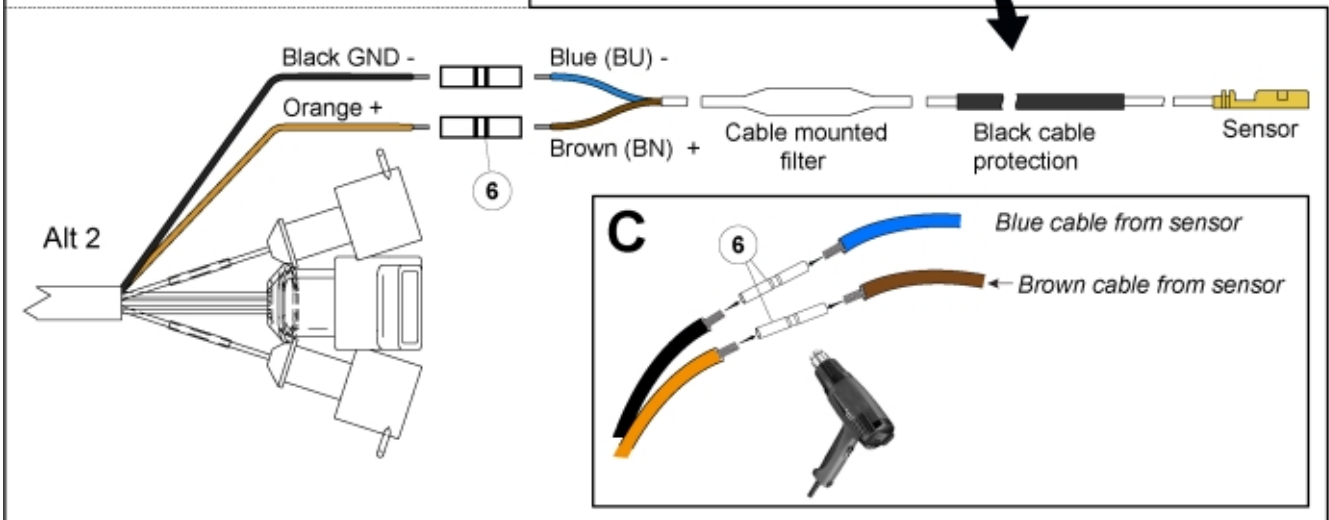
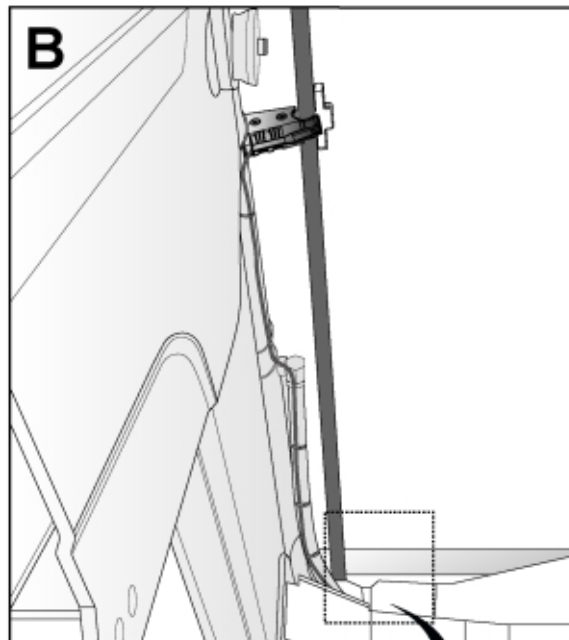
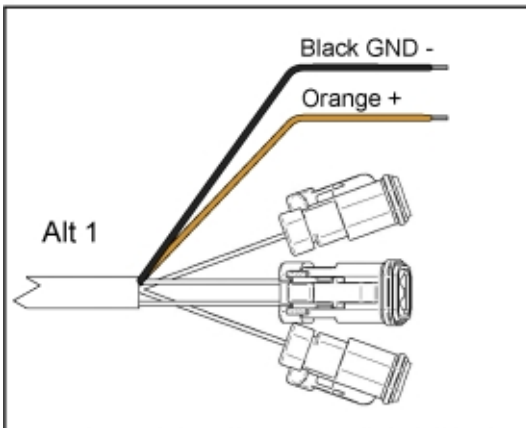
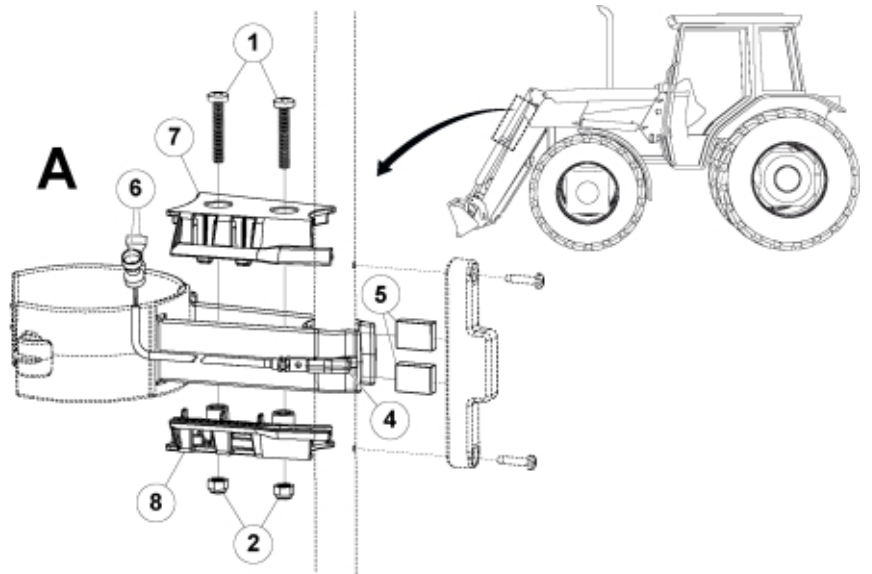
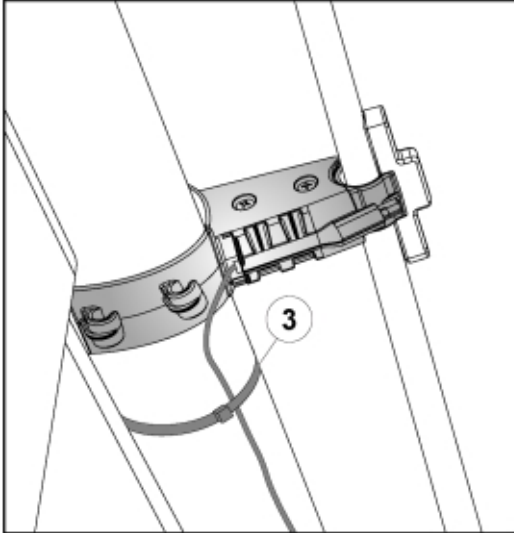


M 5220738



Part assemblies Sensor Controlled AAC

PartNo	Pos	Qty	Name	Specifications
5220738		1	Sensor Controlled AAC	
5006034	1	2	Screw	4x25 4.8 fzb
5011935	2	2	Nut	
5033621	3	8	Cable tie	4.6x150
5103106	4	1	Sensor	
5103107	5	2	Magnet	
5103108	6	2	Heat shrink tubing	
5220736	7	1	Bracket	
5220737	8	1	Bracket	