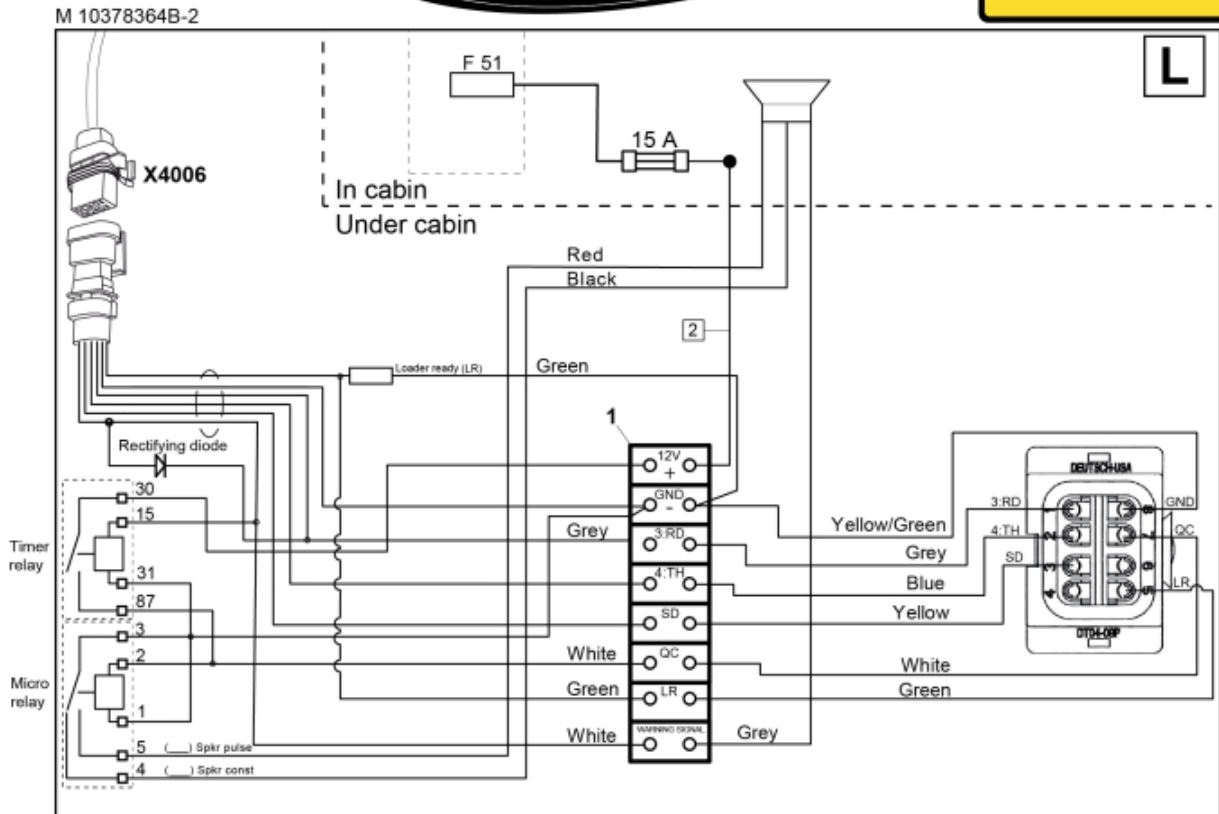
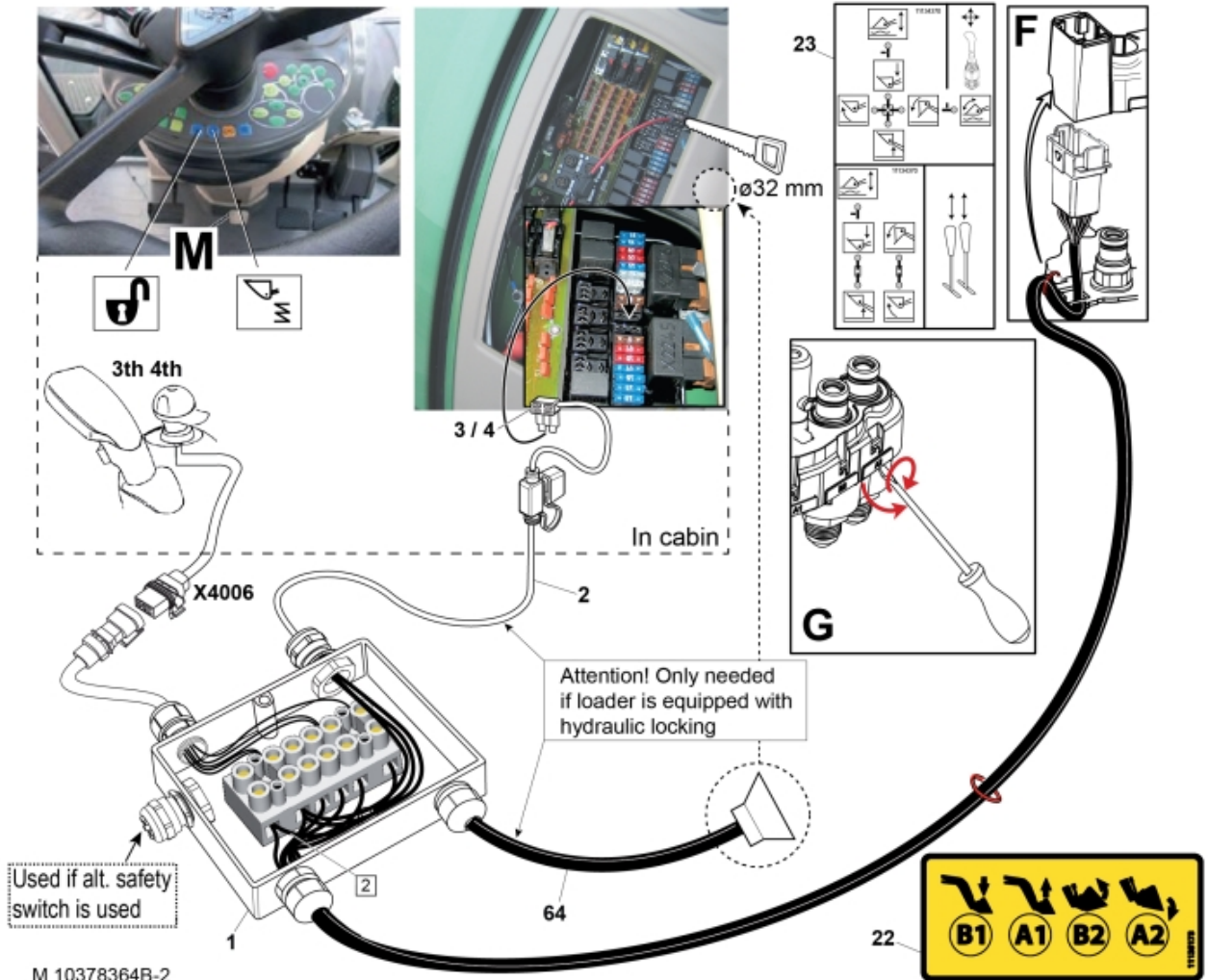
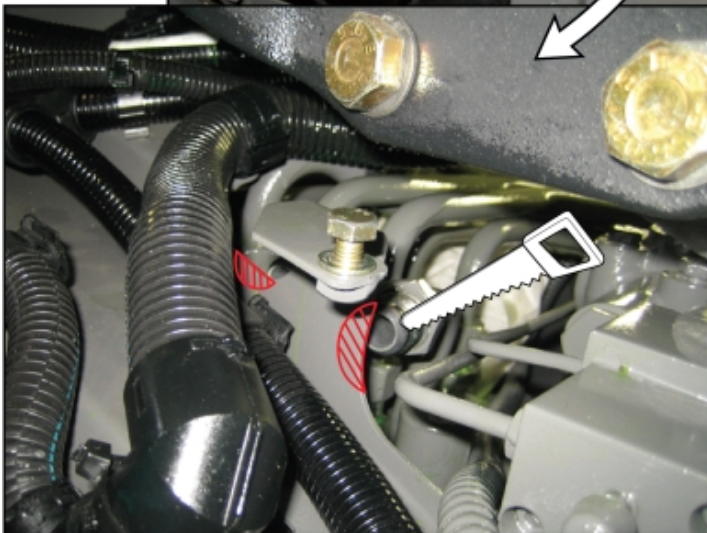
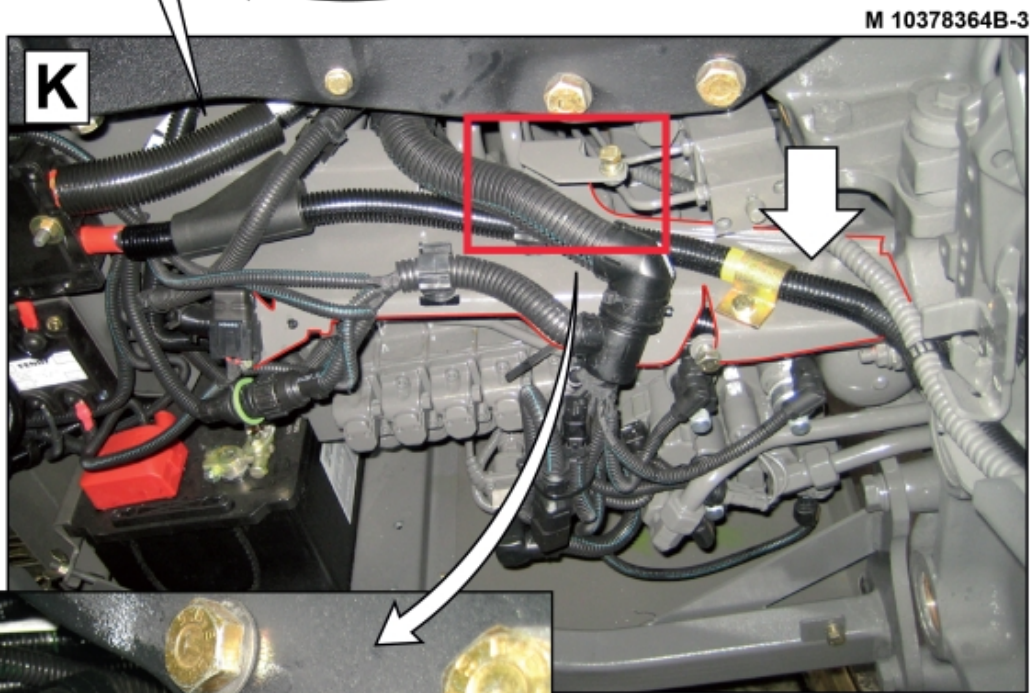
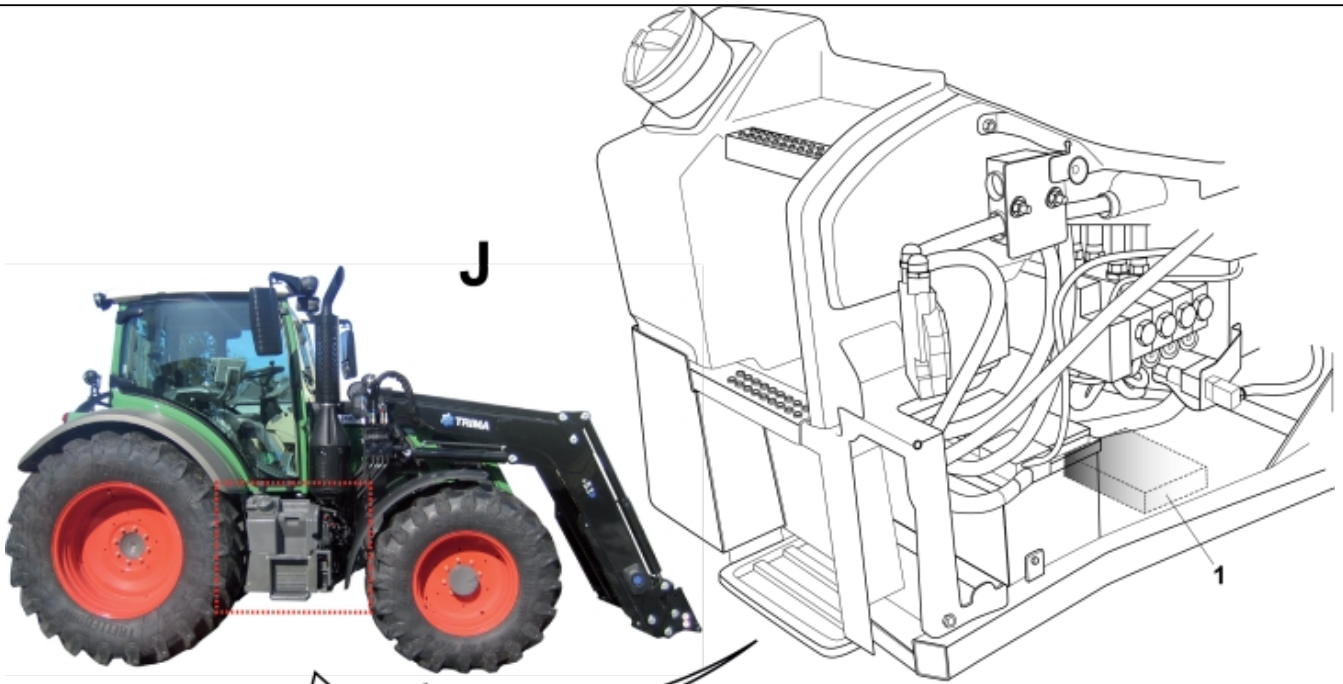
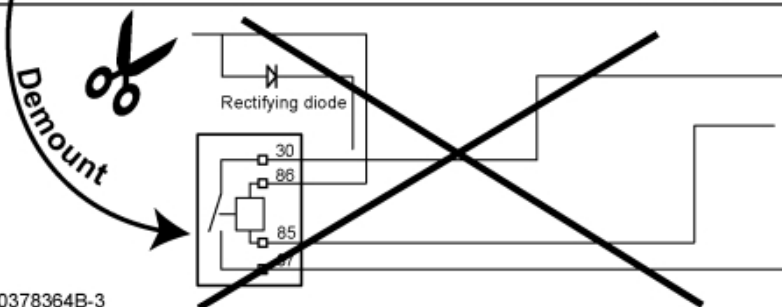
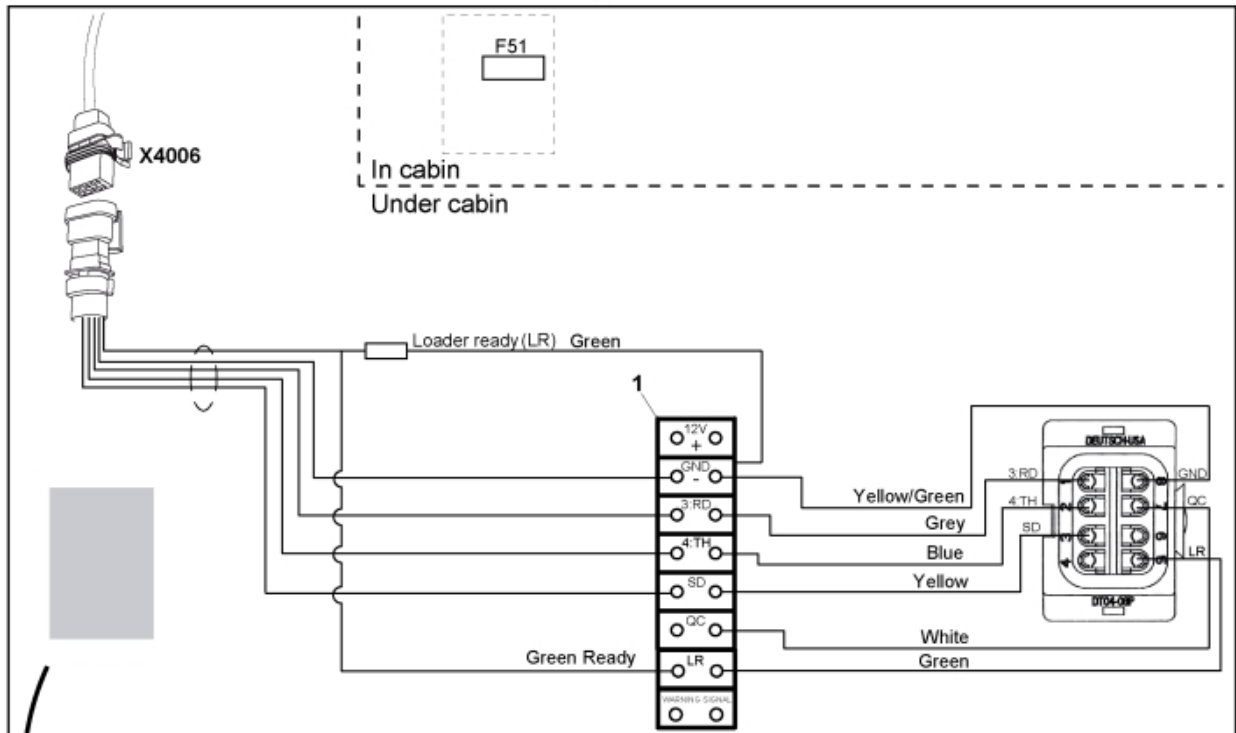


M 10378364B-1



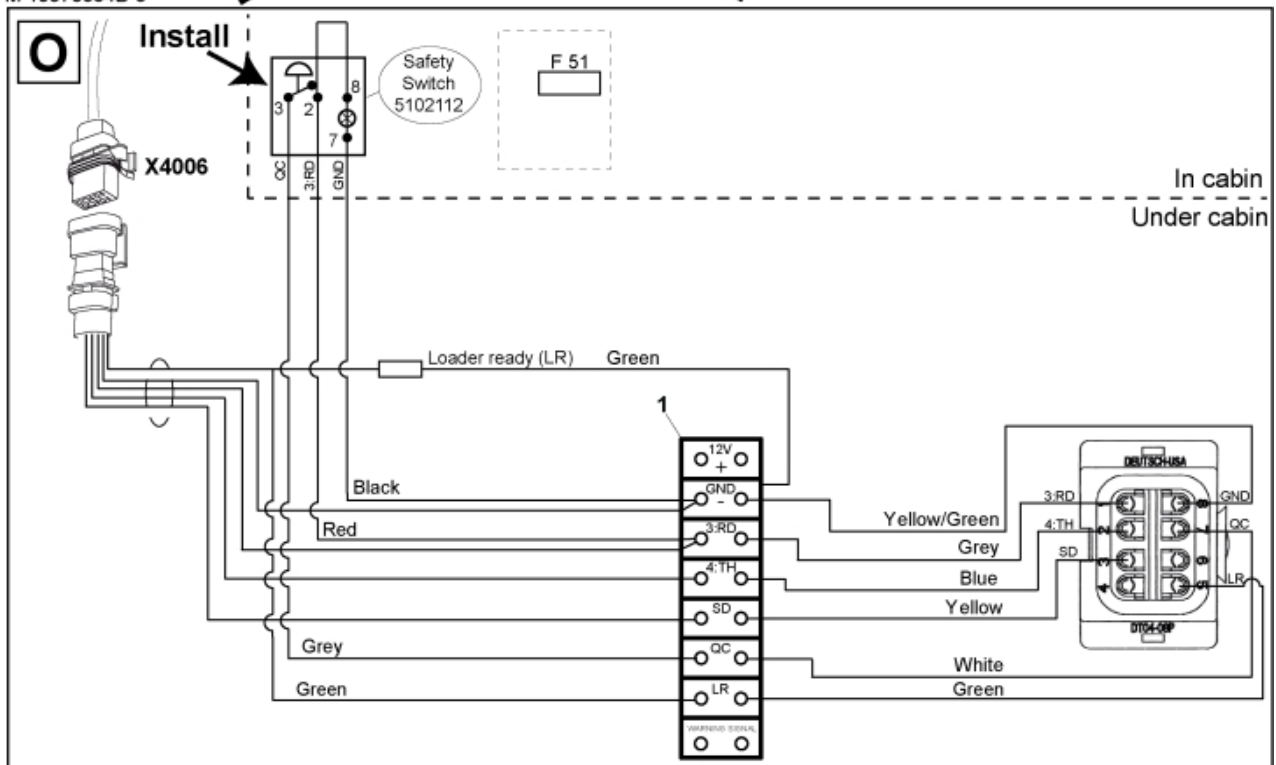


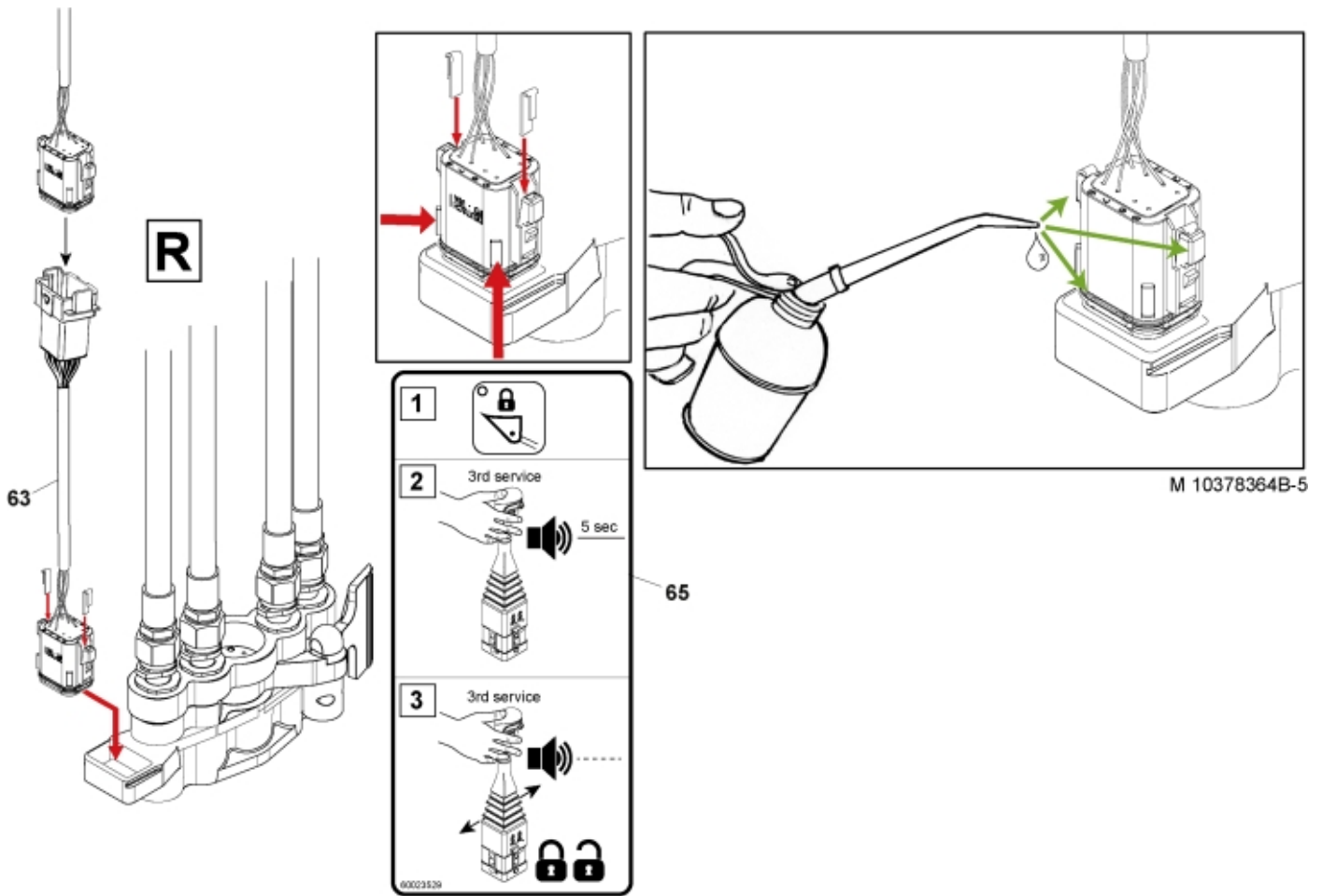
## Alternative safety switch installation:



**Note!** Remove speaker and relays. They are only used as extra safety for Hydraulic locking (when safety switch don't exist)

M 10378364B-3





**Part assemblies**      Hose kit

PartNo	Pos	Qty	Name	Specifications
10378364B		1 PCS	Hose kit	
60016150	1	1	Electr. Cable	
5102185	2	1 PCS	Harness	
5050852	3	1 PCS	Fuse holder	
5050853	4	1 PCS	Fuse holder	
5033919		1	Multi coupling	
5044990	20	1	• Base MC4 J. 7/8"	Replaces 5044952
5006018	21	2	• Screw	M6SF M8x25
11135173	22	1	• Decal	
11134370	23	1	• Decal	
10416028		1 PCS	Bracket complete	
10416018	30	1 PCS	• Bracket	
5005999	31	2	• Screw	M6SF M10x45
60028069	50	4 PCS	Hollow screw	
11120645	51	2	Banjo fitting	M22 7/8 UNF JIC
11120641-18	52	2 PCS	Banjo fitting	
5027823	53	2	Adaptor	7/8"UNF JIC - 7/8"UNF JIC 45°
5013614	54	12 PCS	Copper Washer	22,2 x 27,9 x 1,5
5033949	55	2	Shut-off valve	
5033606	60	6	Cable tie	7,5 x 385
9031662	61	2 PCS	Hose	7/8" JICx1050
9032330	62	2 PCS	Hose	7/8" JICx900
60011915	63	1	Wiring harness	
60016353	64	1	Electr. Cable	
60023529	65	1 PCS	Decal	