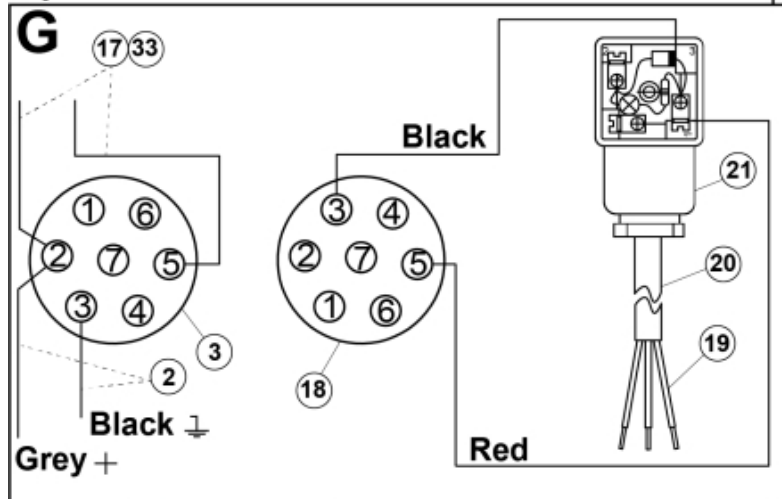
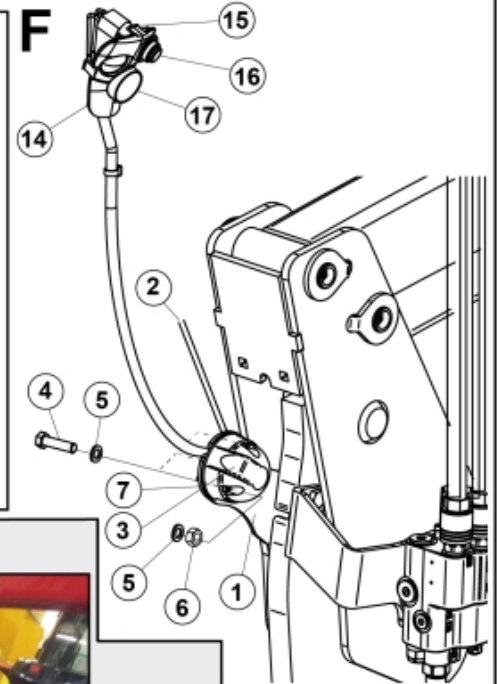


## 7-pin

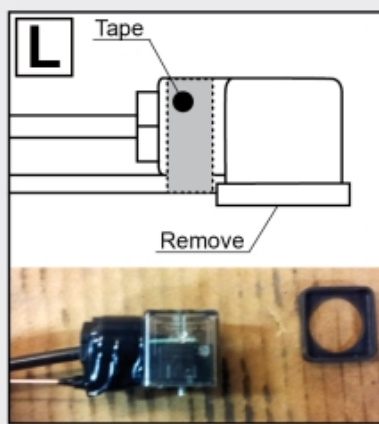


## No LCS

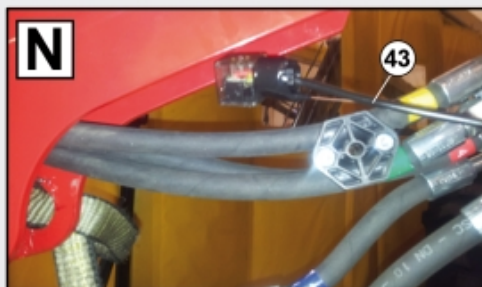
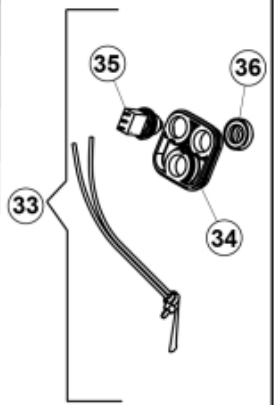
## Wire controlled



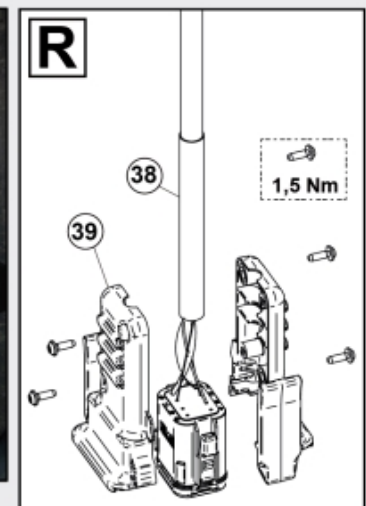
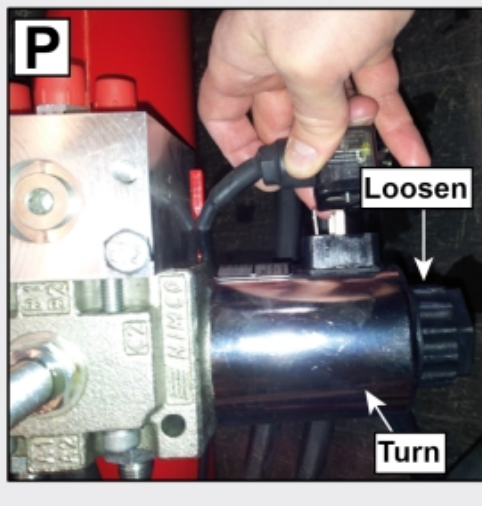
## Deutsch connector

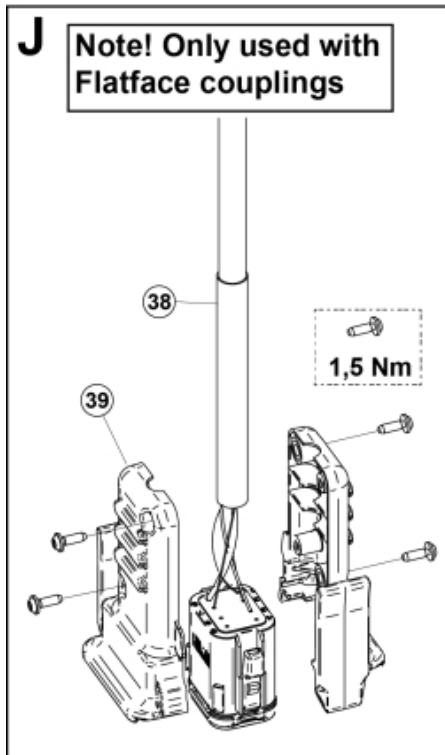
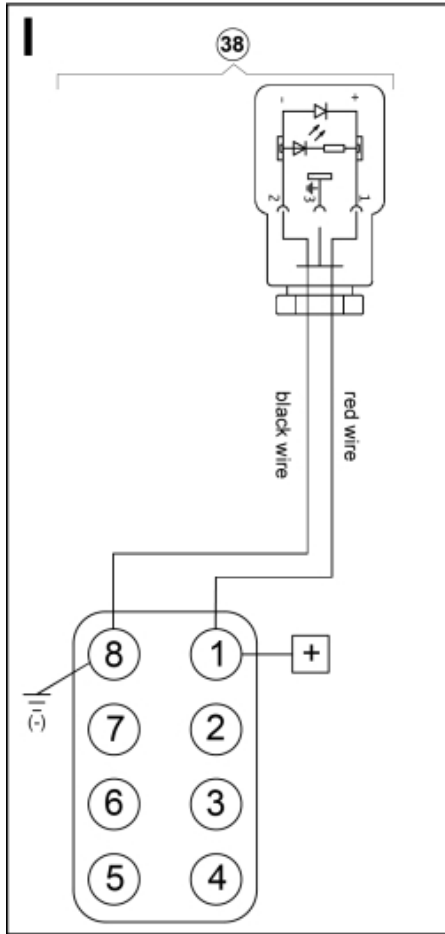


## Direct controlled



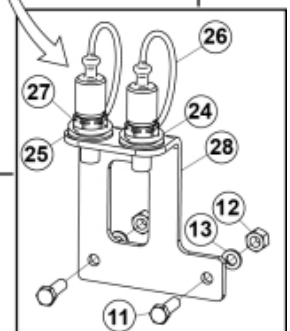
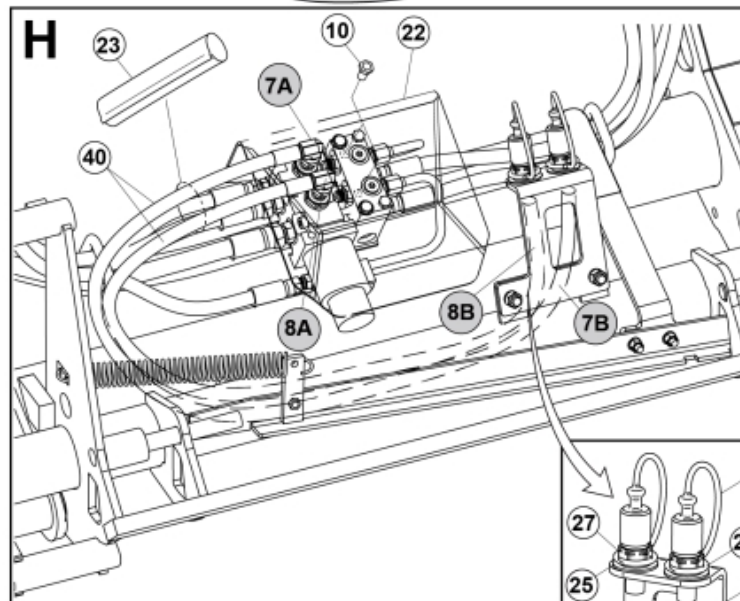
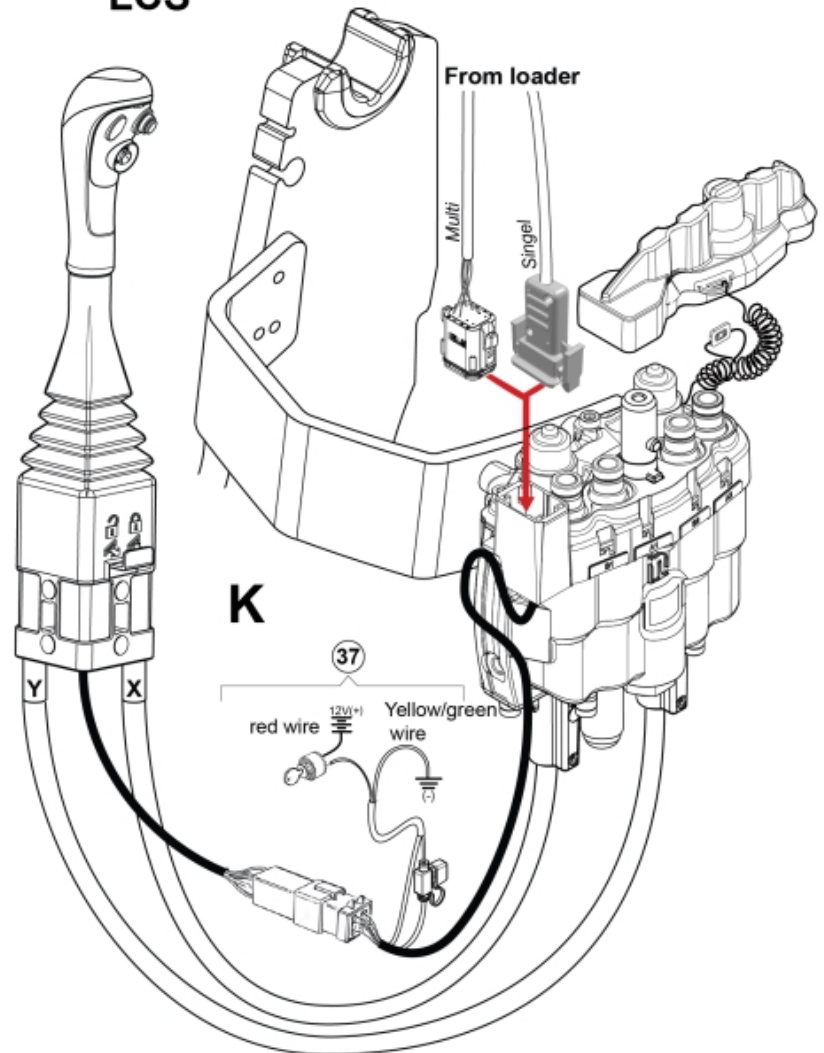
M10550474\_475\_478-2





M10550474\_475\_478-3

## LCS



<b>Part assemblies</b>		3rd service		
<b>Specification</b>		Year To: 31/01/2016 00:00:00		
<b>PartNo</b>	<b>Pos</b>	<b>Qty</b>	<b>Name</b>	<b>Specifications</b>
10550478		1	3rd service	31/01/2016 00:00:00
5002060	10	2	Screw	M6S M8x12 (8,8)
5002077	11	2	Screw	M6S 10x30
5011554	12	2	Nut	Loc-King M10
5013102	13	4	Washer	BRB 10 x 18 x 2
60009571	22	1	Protection plate	Replaces 5221270
5221975	23	1	Hose cover	
5222579		1	• Bracket kit	
5022157	24	1	• Washer, red	
5022159	25	1	• Washer, blue	
5044129	26	2	• Dust Cover	1/2" Male
5044940	27	2	• Coupling	ISO-A 1/2" Male - G3/8
5222580	28	1	• Bracket	
10550444		1	Control valve	
5028262	30	2	• Adaptor	
5221387	31	1	• Control valve	
5004054	Y1	4	•• Screw	MC6S M8x80
5004056	Y2	4	•• Screw	M8x65
5039034	Z	2	•• O-ring	
5221303		1	• Oil pipe kit	
5222581	32	2	•• Oil pipe	
5028109	33	2	•• Adaptor	JIC 9/16"
5102110	37	1	Harness	
5102207	38	1 PCS	Harness	
5103054	39	1	Connector handle	
1103117	40	2	Hose	3/8"