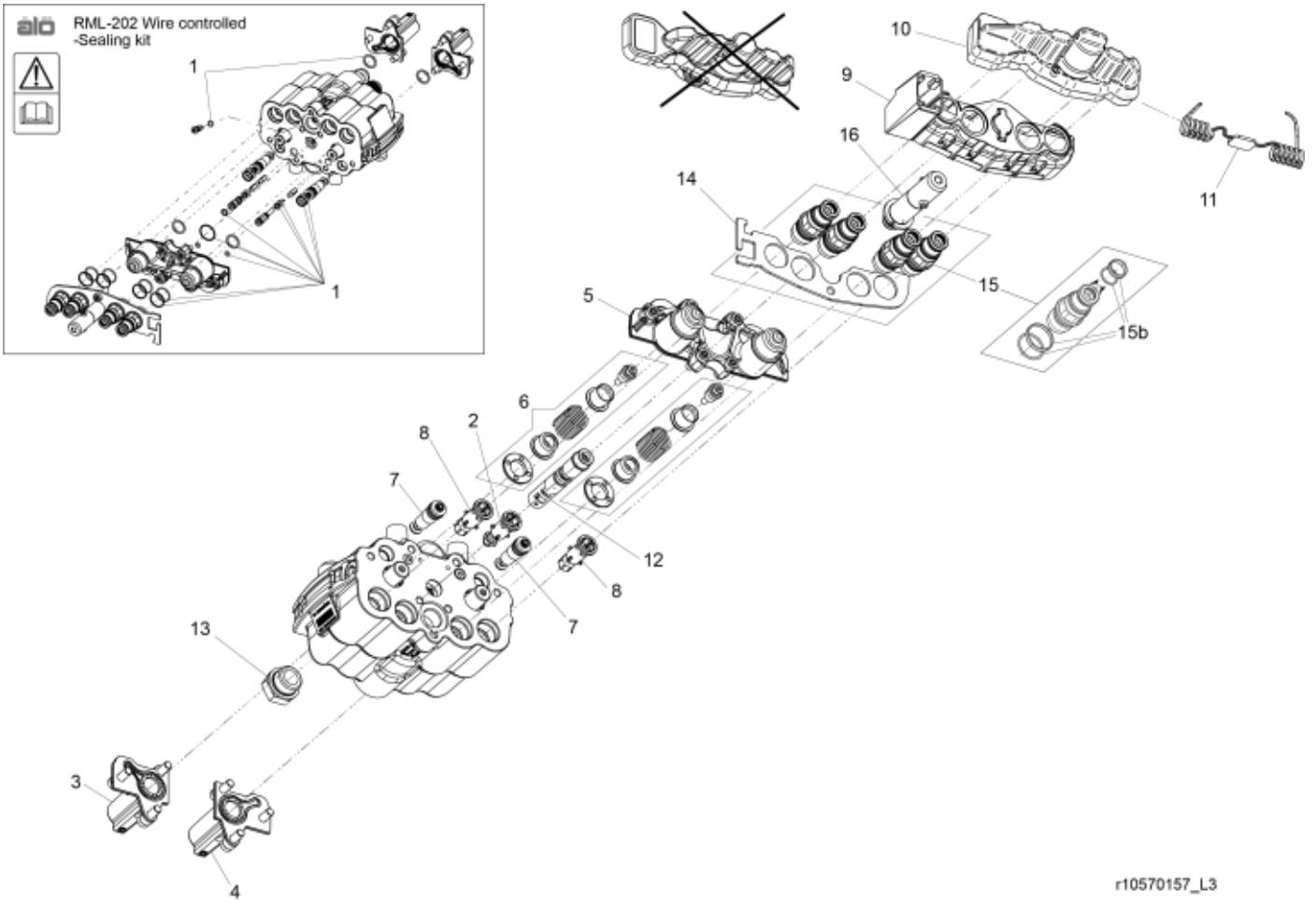
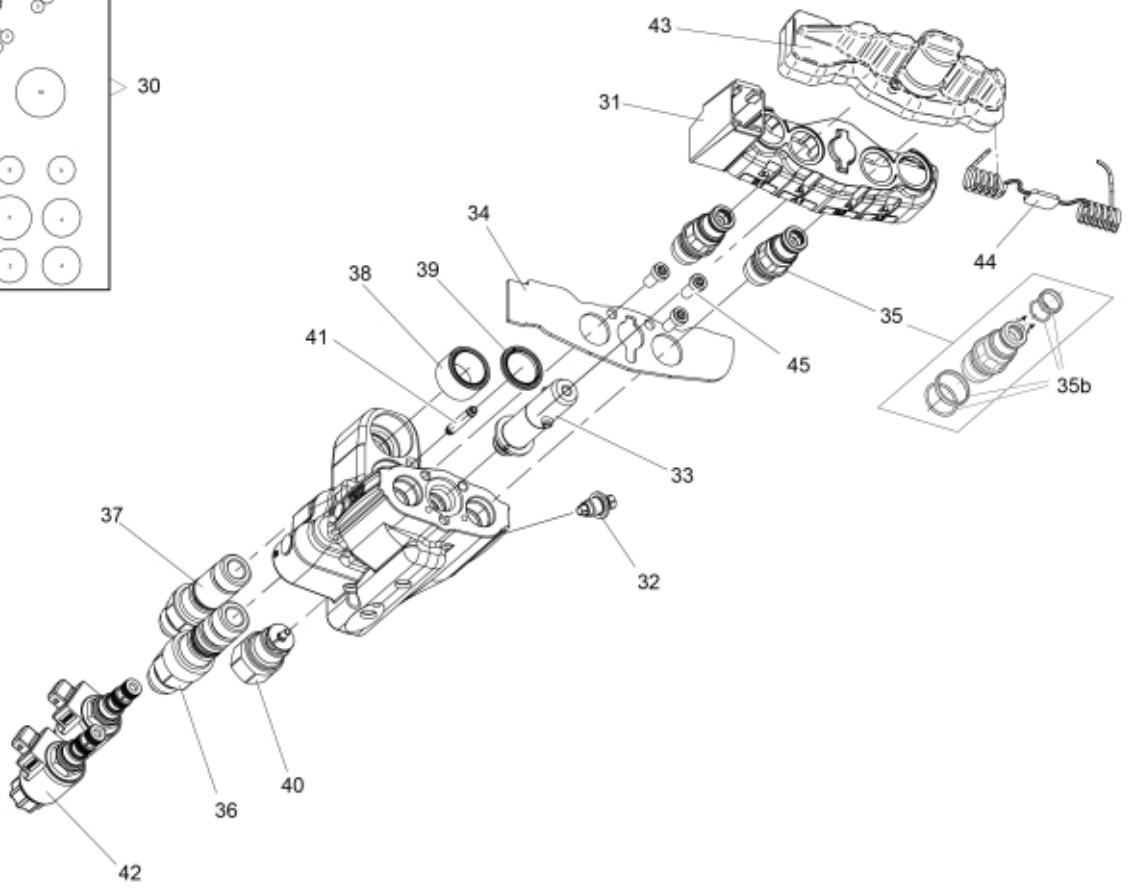
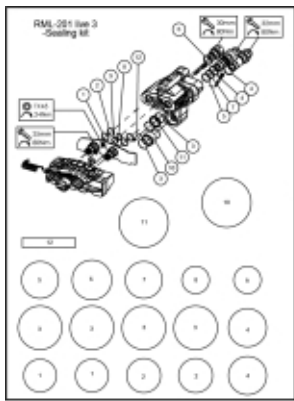


Ergo+Live3



r10570157_L3



r10570171

| Part assemblies | | Valve Ergo+Live3 M. LS 225bar shock at lift | | |
|------------------------|------------|---|---|--|
| Specification | | Specification: Replaces 10570021-18 | | |
| PartNo | Pos | Qty | Name | Specifications |
| 10570159-18 | | 1 | Valve Ergo+Live3 M. LS 225bar shock at lift | Replaces 10570021-18 |
| 4501263 | 1 | 1 | Seal kit | ErgoDrive LCS |
| 10570072 | 2 | 1 | Pressure relief valve | Part is included in kit 10570154 Valve STM Professional Live3 OC |
| 10570082 | 3 | 1 PCS | Cap LH | |
| 10570081 | 4 | 1 PCS | Cap RH | |
| 60008696 | 5 | 1 PCS | Top cap | (10570080) |
| 10570079 | 6 | 2 PCS | Spool control | |
| 10570069 | 7 | 2 | Check valve cpl. | Part is included in kit 10570154 Valve STM Professional Live3 OC |
| 10570071 | 8 | 2 | Check valve cpl. | Part is included in kit 10570154 Valve STM Professional Live3 OC |
| 10570096 | 9 | 1 | Cap w. marking | Part is included in kit 10570154 Valve STM Professional Live3 OC, Part is included in kit 10570154 Valve STM Professional Live3 OC |
| 5034232 | 10 | 1 | Cover | Replaces 5033905 |
| 10570094 | 11 | 1 | • Cable tie | |
| 10570181 | 12 | 1 | Spool LS cpl. | (10570073) |
| 5028092 | 13 | 1 | Adaptor | BSP3/4"- JIC9/16 |
| 10570088 | 14 | 1 | Cover plate | |
| 4500294 | 15 | 4 | Coupling (M) | Replaces 5044956/60017561 |
| 4501264 | 15b | 1 | • Seal kit | 1 seal kit/coupling required |
| 10570078 | 16 | 1 | Adapter Multi coupling | |
| 5102115 | 29 | 1 | Cable cpl. Live3 | |
| 5040064 | 30 | 1 | Seal kit | |
| 10570096 | 31 | 1 | Cap w. marking | Part is included in kit 10570154 Valve STM Professional Live3 OC, Part is included in kit 10570154 Valve STM Professional Live3 OC |
| 10570070 | 32 | 1 PCS | Check valve cpl. | |
| 10570078 | 33 | 1 | Adapter Multi coupling | |
| 10570090 | 34 | 1 PCS | Cover plate Single 2 | |
| 4500294 | 35 | 2 | Coupling (M) | Replaces 5044956/60017561 |
| 4501264 | 35b | 1 | • Seal kit | 1 seal kit/coupling required |
| 5028090 | 36 | 1 PCS | Adapter with sealing | |
| 5028089 | 37 | 1 PCS | Adapter with sealing | |
| 5040066 | 38 | 1 PCS | Sealing sleeve cpl. | |
| 5040065 | 39 | 1 PCS | Sealing sleeve cpl. | |
| 10570074 | 40 | 1 PCS | Spool control unit cpl. | |
| 10570075 | 41 | 1 PCS | Connecting pipe cpl. | |
| 10570093 | 42 | 2 | Solenoid | |
| 5034232 | 43 | 1 | Cover | Replaces 5033905 |
| 10570094 | 44 | 1 | • Cable tie | |
| 5006019 | 45 | 3 | Screw | 8x16 fzb |