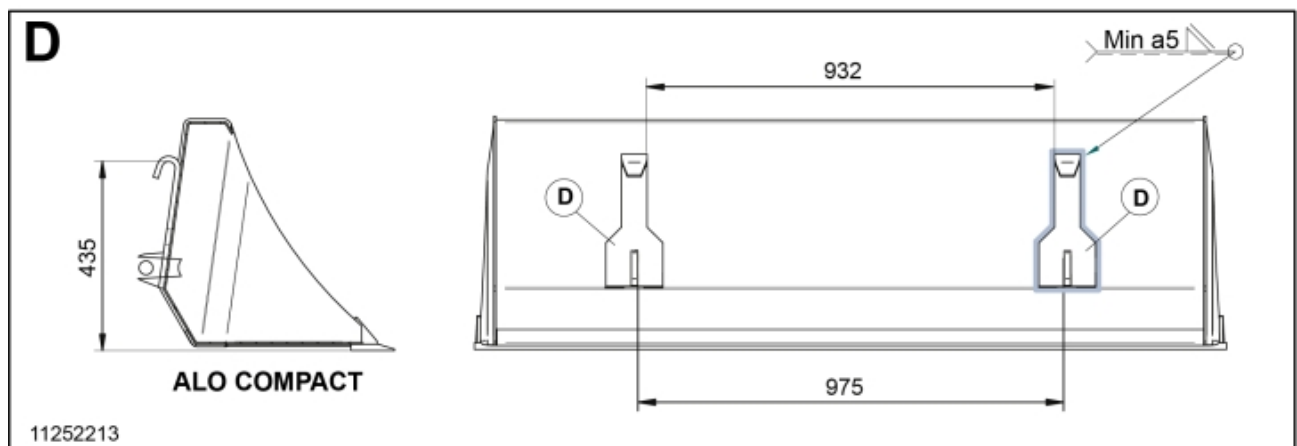
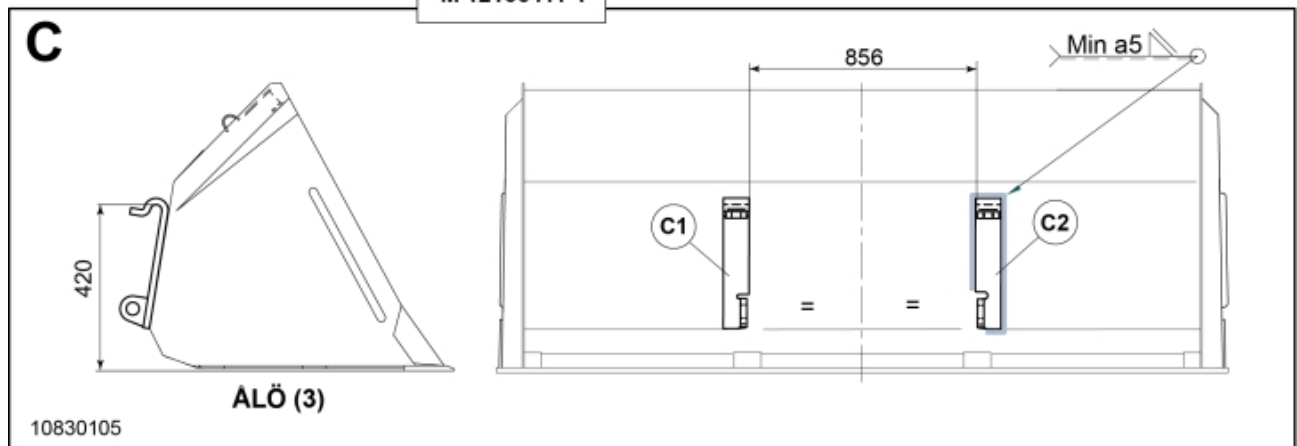


M 12166411-1



Part assemblies Weld on Hook kit
Specification Specification: Alo Type 3

PartNo	Pos	Qty	Name	Specifications
10830105	C	1 PCS	Weld on Hook kit	Alo Type 3
10830101	C1	1 PCS	• Implement hook LH	Älö Type 3
10830102	C2	1 PCS	• Implement hook RH	Alo Type 3