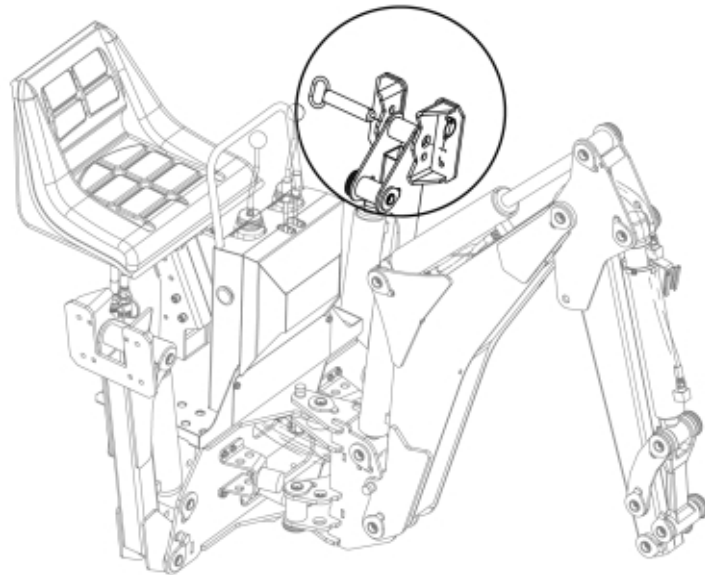


M60001539



**Part assemblies**      Locking kit

<b>PartNo</b>	<b>Pos</b>	<b>Qty</b>	<b>Name</b>	<b>Specifications</b>
60001539		1	Locking kit	
60001480	1	2	Locking Pin	
5017002	2	2	Linch pin	