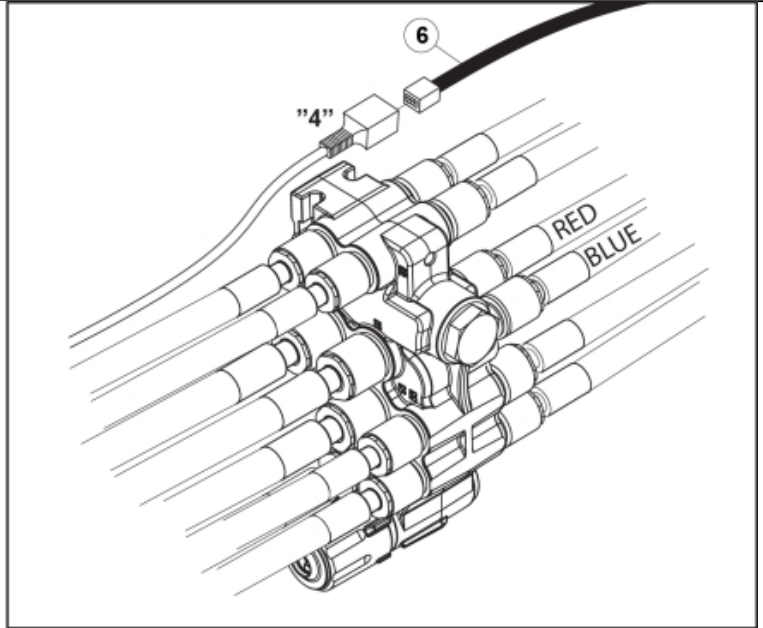
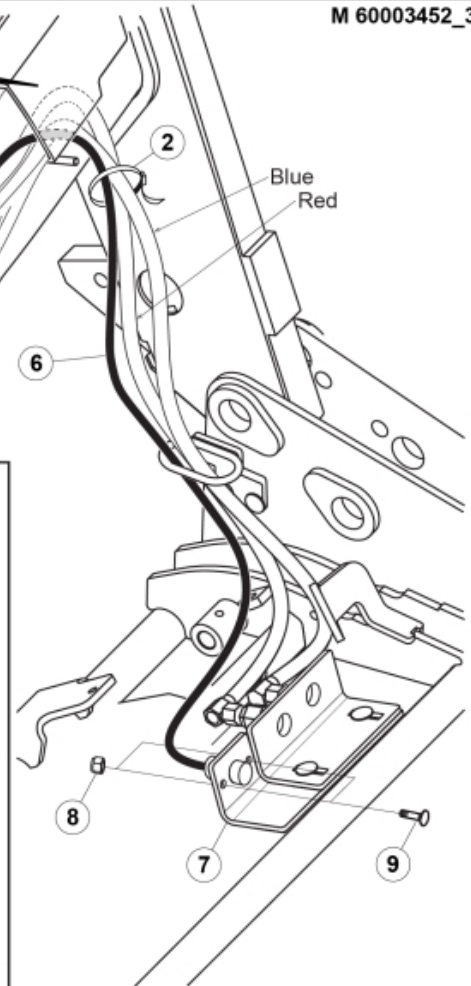
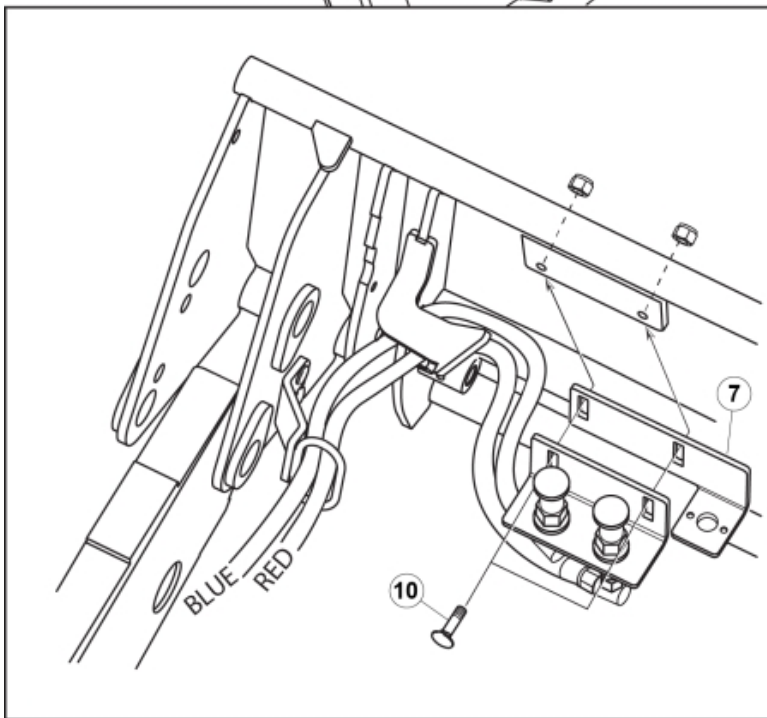
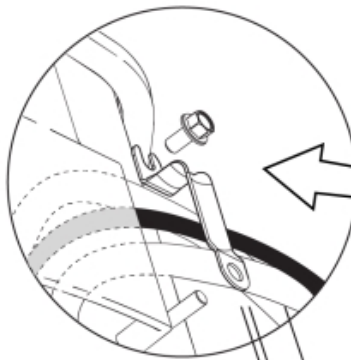


C



M 60003452_3



Part assemblies Electric mounting kit

PartNo	Pos	Qty	Name	Specifications
60003452			Electric mounting kit	
5021959		1 PCS	Switch cpl.	
5021958	1	1	• Insert	3 switches
5033621	2	5	• Cable tie	4.6x150
5102205	3	1	Cable	
5103110	4	1 PCS	Diode	
60003457	5	1	Cable	
5102203	6	1	Cable	
11262519	7	1 PCS	Bracket	
5011940	8	2 PCS	Nut	M6M M5
5004953	9	2 PCS	Screw	
5006003	10	2	Screw	MVBF 10x40
5102204	11	1	Cable	
5034296	12	1 PCS	Solenoid	
5026610	13	2	Plug	