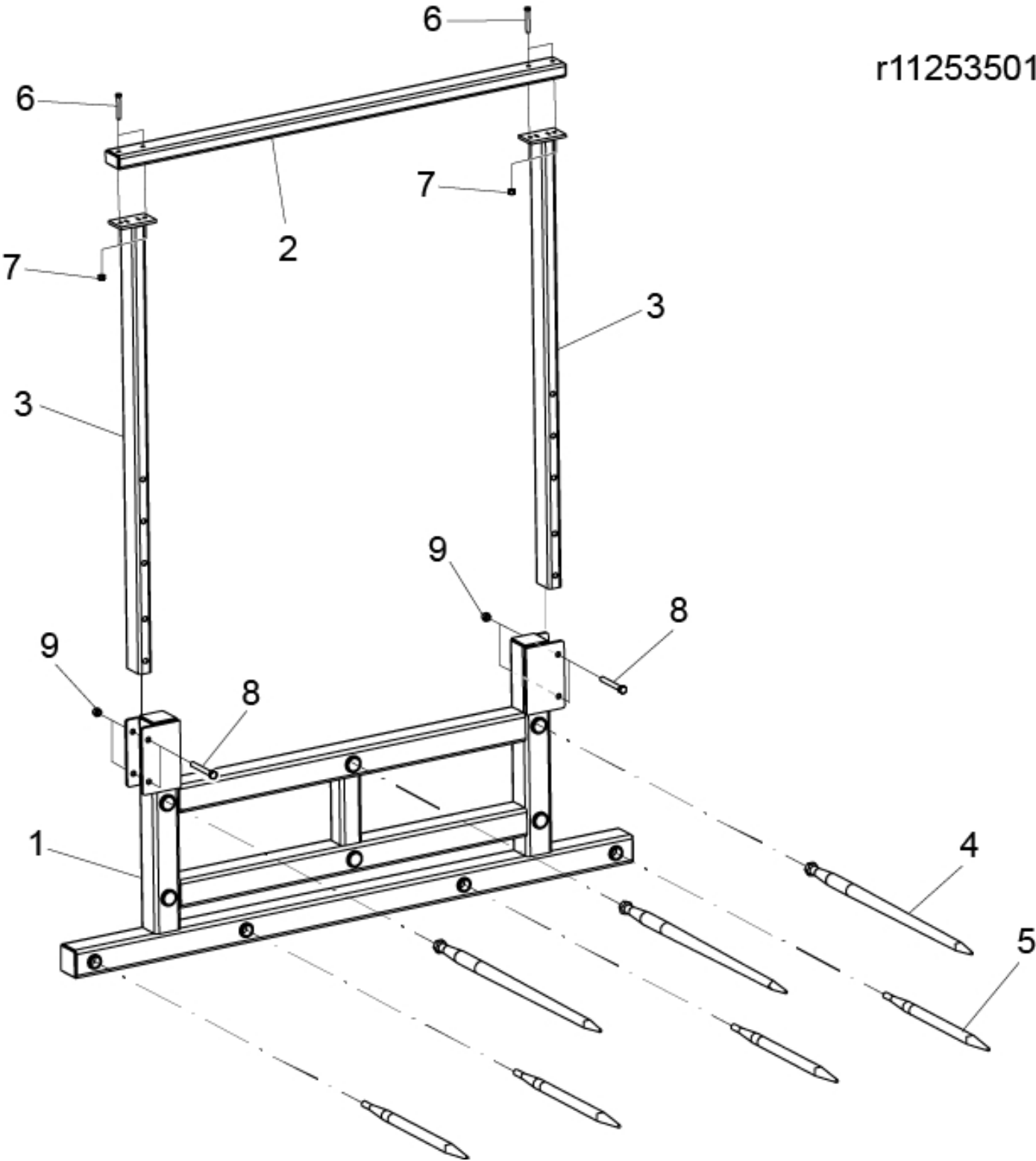


r11253501



Part assemblies Multibale
Specification Year From: 01/01/2015 00:00:00
 : 31/12/2017 00:00:00

PartNo	Pos	Qty	Name	Specifications
60050155	1	1 PCS	Frame	
60050157	2	1	Beam support	
60050156	3	2 PCS	Support leg	
5068010-17	4	3	Tine with nut	980
5068006-17	5	4 PCS	Tine	680
5002121	6	4	Screw	M6S M12x80 (8,8)
5011555	7	4	Nut	M12 Loc
5002166	8	4 PCS	Screw	M6S_ M16 x 130 (8.8)
5011557	9	4	Nut	Loc-King M16
60004299	10	1 PCS	Decal, Brand	Multibale