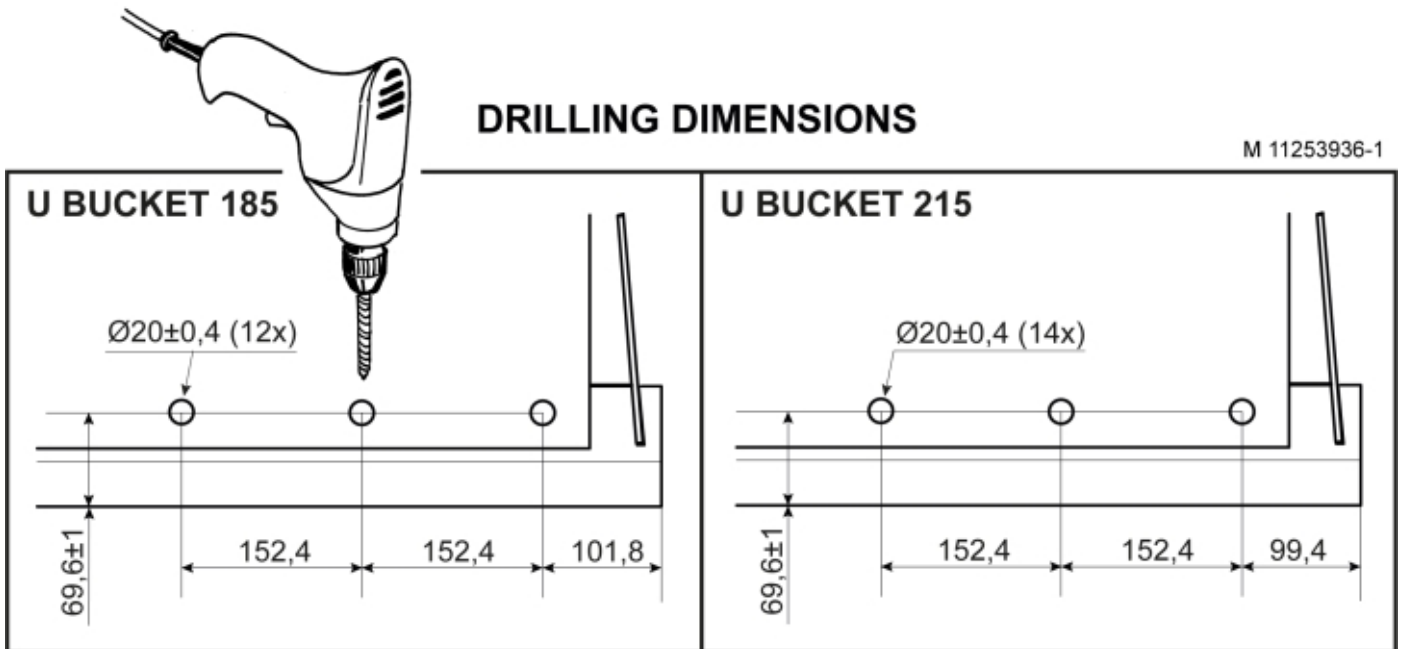


DRILLING DIMENSIONS

M 11253936-1



Description 180
Part assemblies Bolt on Cutting Edge kit 185

| PartNo | Pos | Qty | Name | Specifications |
|---------------|------------|------------|------------------------------|-----------------------|
| 11253936 | | 1 | Bolt on Cutting Edge kit 185 | |
| 60008565-22 | 1 | 1 PCS | Cutting edge | Bolt-on |
| 5050364 | 2 | 12 PCS | Plow bolt | 5/8" - 2 inch |
| 5050485 | 3 | 12 | Locking nut | UNC 5/8" |