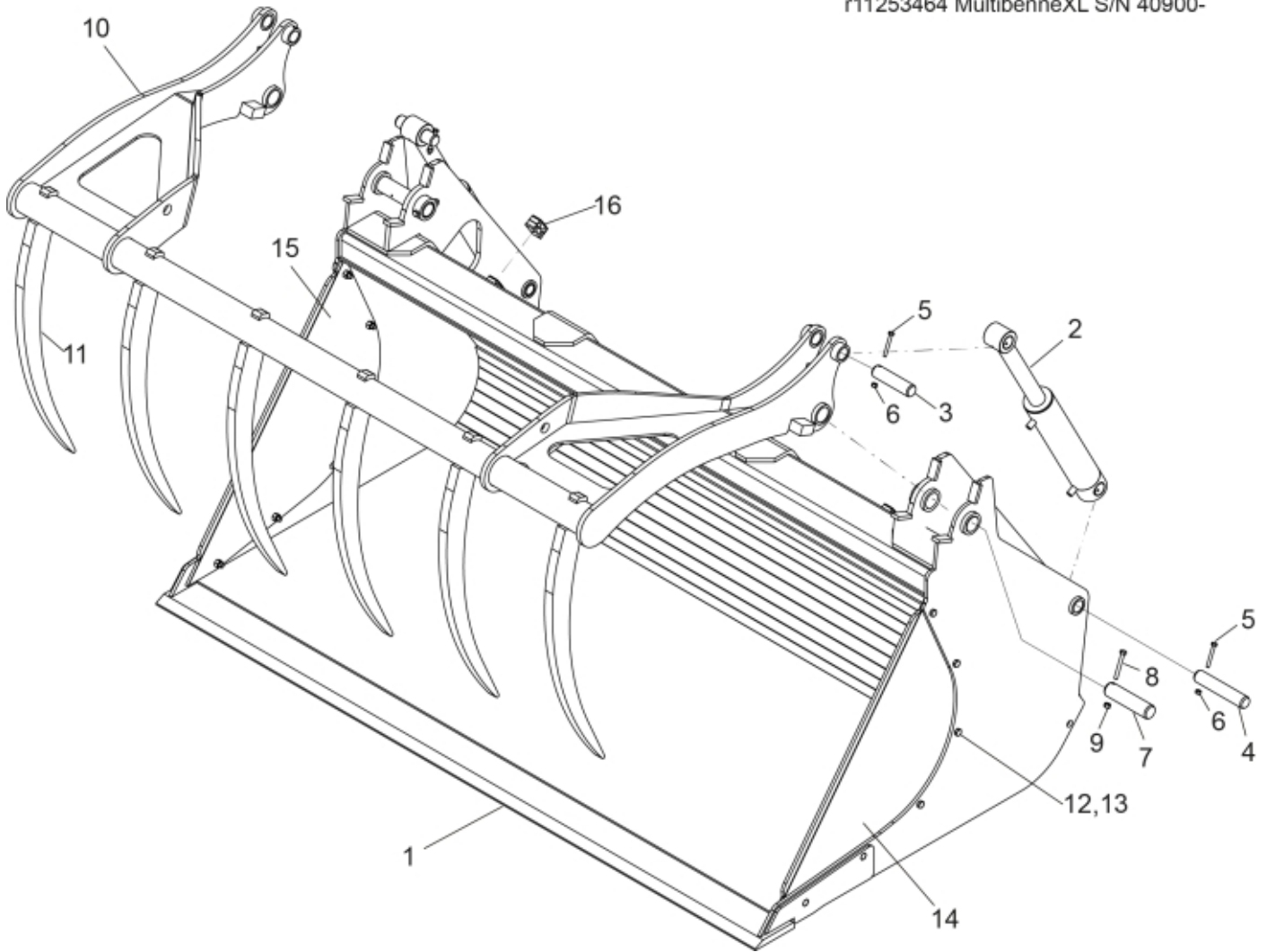


r11253464 MultibenneXL S/N 40900-



**Part assemblies Specification**  
Multibenne XL 15,23 Euro S/N 40900-  
Year From: 01/01/2015 00:00:00  
Serial number from: 40900  
Year To: 31/05/2016 00:00:00

| PartNo   | Pos | Qty   | Name            | Specifications             |
|----------|-----|-------|-----------------|----------------------------|
| 60050060 | 1   | 1 PCS | Cutting edge    |                            |
| 60050105 | 2   | 2 PCS | Cylinder        |                            |
| 60050108 |     | 1     | • Seal kit      |                            |
| 60050102 | 3   | 2 PCS | Pin             | Ø35-en8 x138               |
| 60050101 | 4   | 2 PCS | Pin             | Ø35-en8 x184               |
| 5004056  | 5   | 4     | Screw           | M8x65                      |
| 5011553  | 6   | 4     | Nut             | M6M M8 Loc-king            |
| 60050090 | 7   | 2 PCS | Pin             | 44,45x212                  |
| 5002092  | 8   | 2     | Screw           | M6S M10x80 (8.8)           |
| 5011554  | 9   | 2     | Nut             | Loc-King M10               |
| 60010589 | 10  | 1 PCS | Grab head       |                            |
| 60010591 | 11  | 6 PCS | Tine            |                            |
| 5002703  | 12  | 6 PCS | Screw           | M6S_ M12 x 1,25 x 40 (8.8) |
| 5011555  | 13  | 6     | Nut             | M12 Loc                    |
| 60010595 | 14  | 1 PCS | Plate           | LH                         |
| 60010597 | 15  | 1 PCS | Plate           | RH                         |
| 60050092 | 16  | 4 PCS | Hose clamp cpl. |                            |
| 60004291 | 17  | 1 PCS | Decal           | Multibenne XL              |