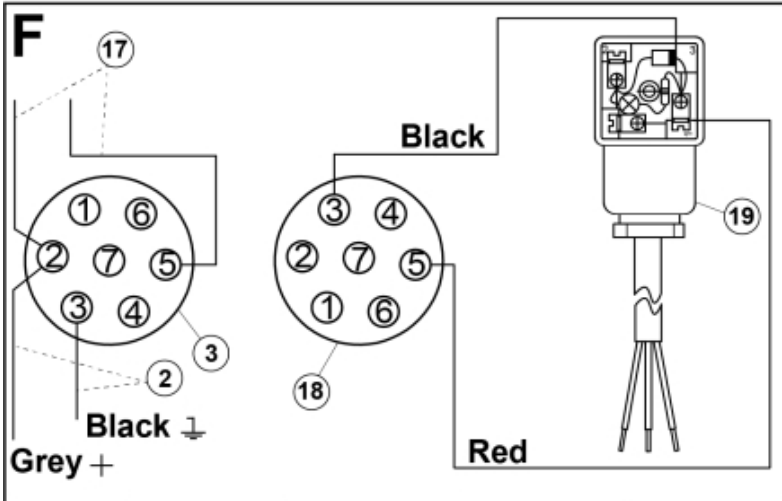
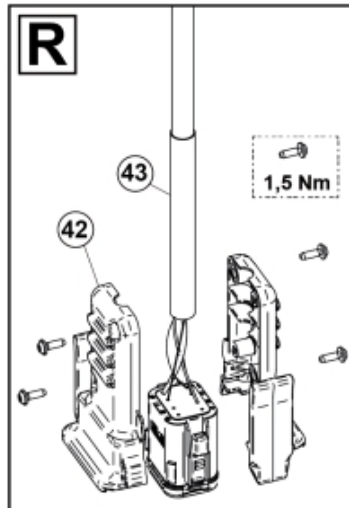
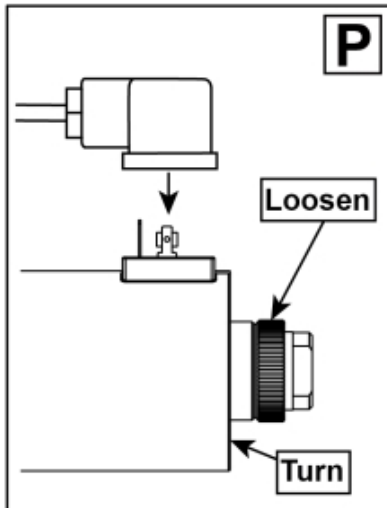
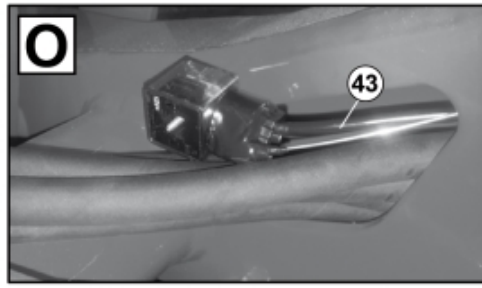
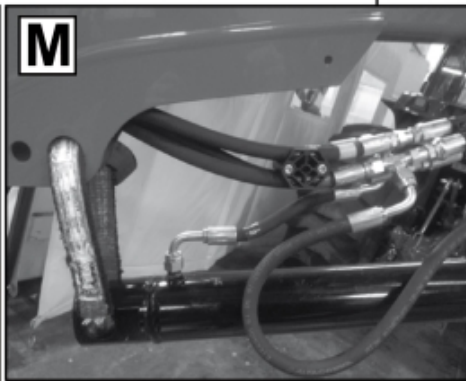
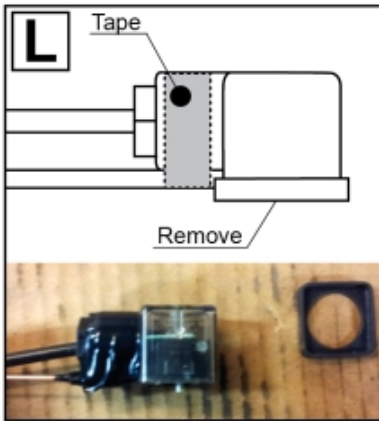
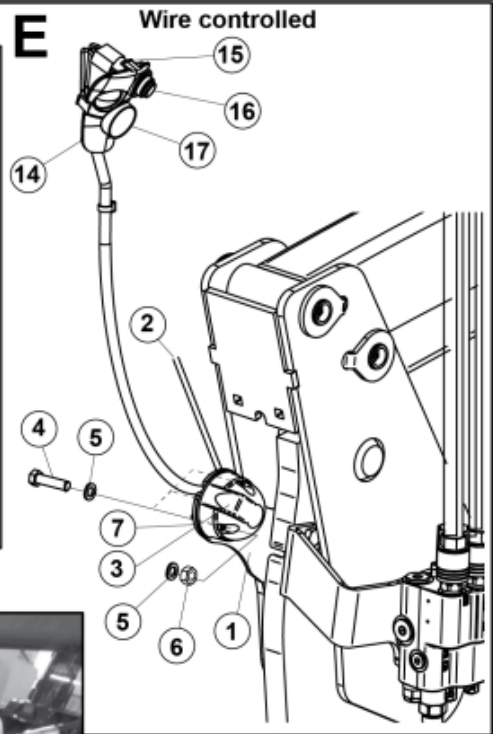
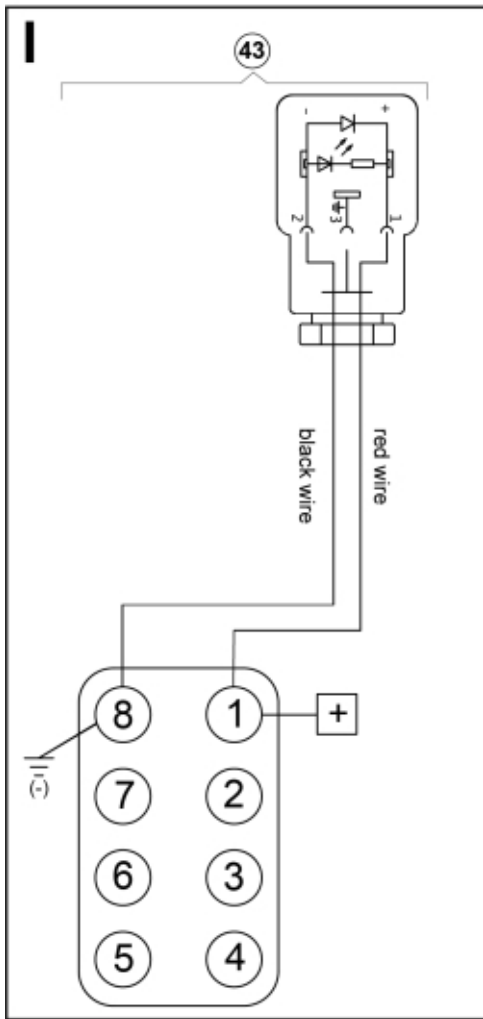


## 7-pin



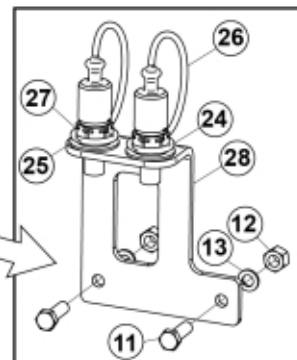
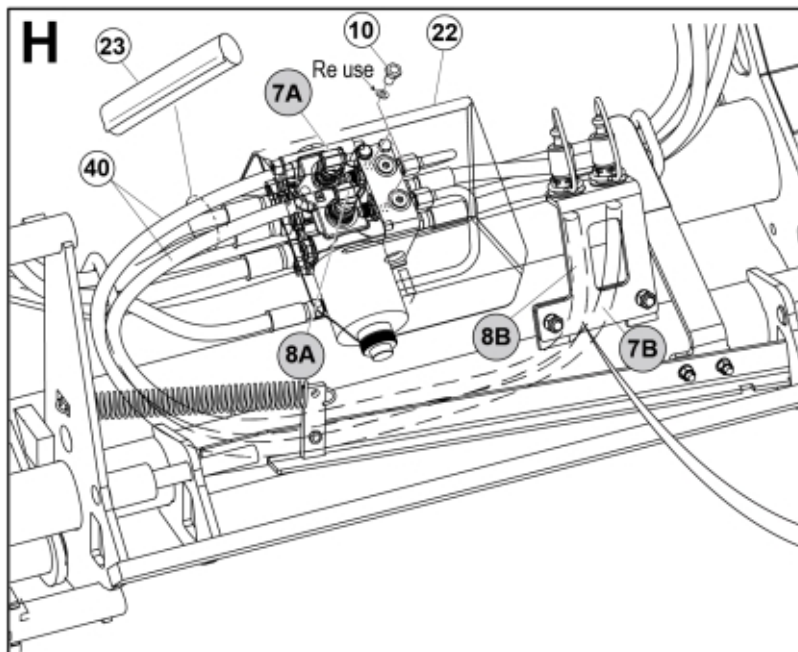
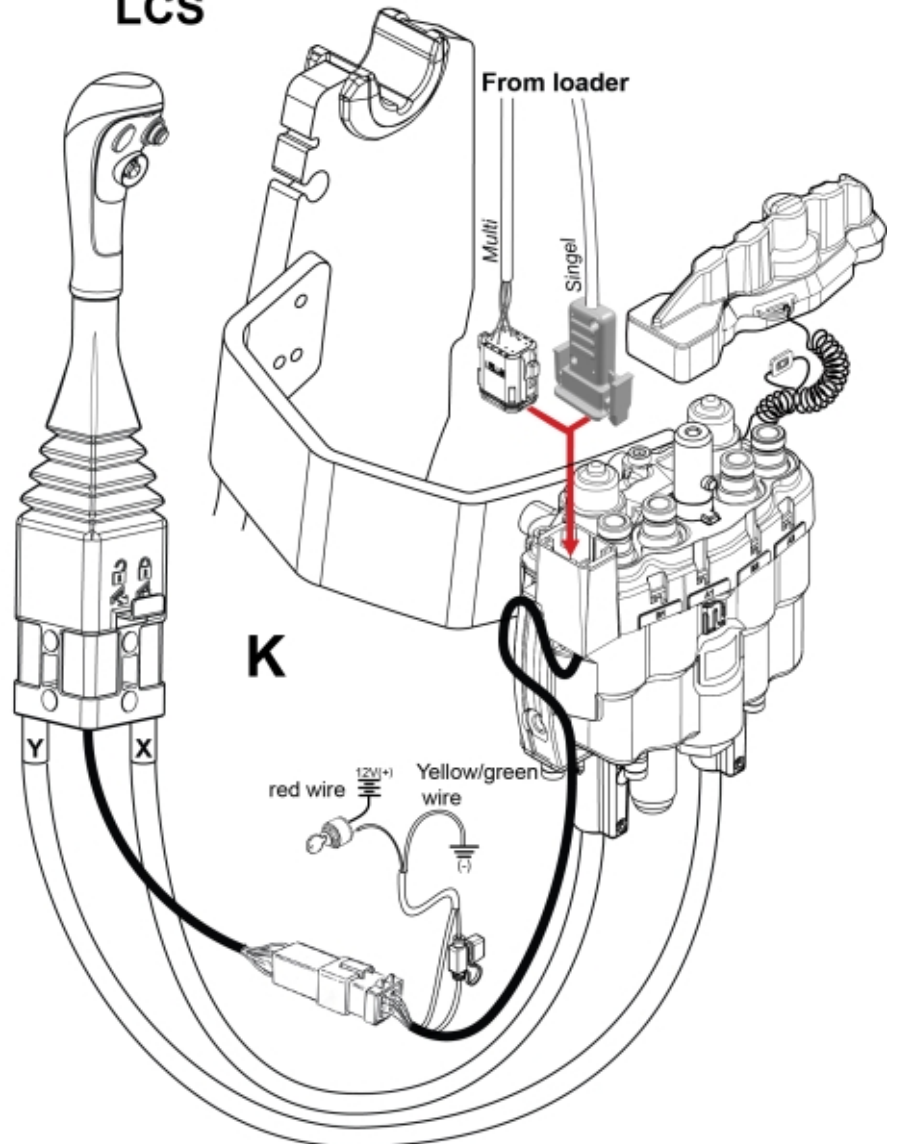
M 60010002\_10007\_009999\_2





M 60010002\_10007\_009999\_3

## LCS



**Part assemblies** 3rd service  
**Specification** Year From: 01/02/2016 00:00:00  
 7-pin Direct:7-pin trailer plug with direct controlled valve

| PartNo   | Pos | Qty | Name                    | Specifications         |
|----------|-----|-----|-------------------------|------------------------|
| 60009999 |     | 1   | 3rd service             | 01/02/2016 00:00:00    |
| 313497   |     | 1   | Electric mounting kit   |                        |
| 5201142  | 1   | 1   | • Connector Support     |                        |
| 313476   | 2   | 1   | • Electr. Cable         |                        |
| 5024378  | 3   | 1   | • Connector, female     | 7-Pole                 |
| 5004903  | 4   | 3   | • Screw                 | MC6S 5x50 (8.8 fz)     |
| 5013112  | 5   | 6   | • Washer                | 5,3x10x1,5             |
| 5011051  | 6   | 3   | • Nut                   | M6M 5                  |
| 5102039  | 7   | 1   | • Rubber boot           | For caravan connector  |
| 5103017  | 8   | 1   | • Cable terminal        |                        |
| 5033621  | 9   | 5   | • Cable tie             | 4.6x150                |
| 5002060  | 10  | 2   | Screw                   | M6S M8x12 (8,8)        |
| 5002077  | 11  | 2   | Screw                   | M6S 10x30              |
| 5011554  | 12  | 2   | Nut                     | Loc-King M10           |
| 5013102  | 13  | 2   | Washer                  | BRB 10 x 18 x 2        |
| 5021082  |     | 1   | Boot                    | 1 switch               |
| 5021098  | 14  | 1   | • Boot                  | N/A                    |
| 5024365  | 15  | 1   | • Switch                | A 294813               |
| 5024366  | 16  | 1   | • Boot                  | A 294814               |
| 5021093  | 17  | 1   | • Plug                  |                        |
| 5024379  | 18  | 1   | Connector               |                        |
| 5102152  | 19  | 1   | Cable                   | L=4400mm               |
| 60009571 | 22  | 1   | Protection plate        | Replaces 5221270       |
| 5221975  | 23  | 1   | Hose cover              |                        |
| 5222579  |     | 1   | • Bracket kit           |                        |
| 5022157  | 24  | 1   | • Washer, red           |                        |
| 5022159  | 25  | 1   | • Washer, blue          |                        |
| 5044129  | 26  | 2   | • Dust Cover            | 1/2" Male              |
| 5044940  | 27  | 2   | • Coupling              | ISO-A 1/2" Male - G3/8 |
| 5222580  | 28  | 1   | • Bracket               |                        |
| 5221303  |     | 2   | Oil pipe kit            |                        |
| 5028109  | 30  | 1   | • Adaptor               | JIC 9/16"              |
| 5222581  | 31  | 1   | • Oil pipe              |                        |
| 1103117  | 40  | 2   | Hose                    | 3/8"                   |
| 60010211 |     | 1   | Control valve           |                        |
| 60009542 | 44  | 1   | • Valve assy.           | Roquet                 |
| 5050388  | 45  | 2   | • O-ring                | Ø25 0,7x2,62           |
| 5013101  | 46  | 4   | • Washer                | BRB 8,4 x 16           |
| 5004054  | 47  | 4   | • Screw                 | MC6S M8x80             |
| 60009550 | 48  | 1   | • Valve block           |                        |
| 5028121  | 49  | 4   | • Plug                  | UNF 9/16               |
| 60010115 | 50  | 2   | • Pressure relief valve |                        |
| 5028078  | 51  | 2   | Adaptor                 | 3/4" ORB -3/4" JIC     |
| 5028118  | 52  | 4   | Adapter short cpl.      | 9/16" UNF JIC          |
| 5028262  | 53  | 2   | Adaptor                 |                        |