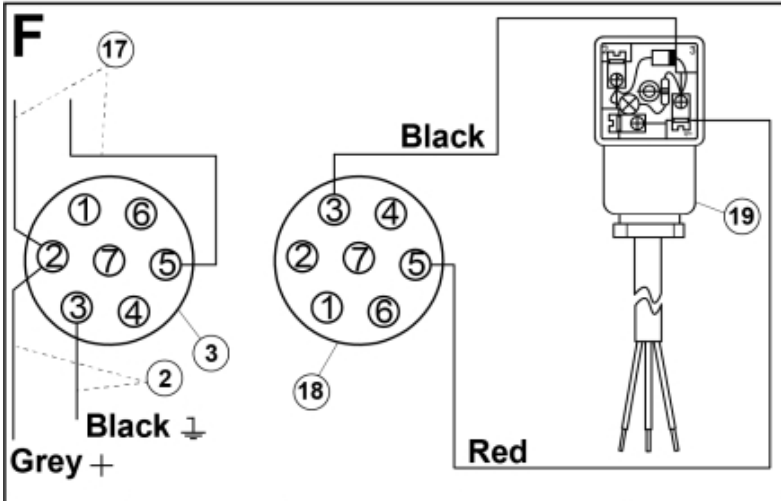
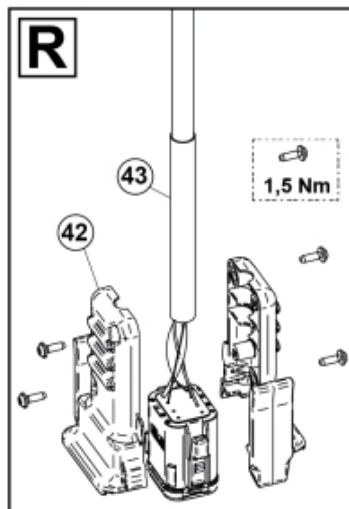
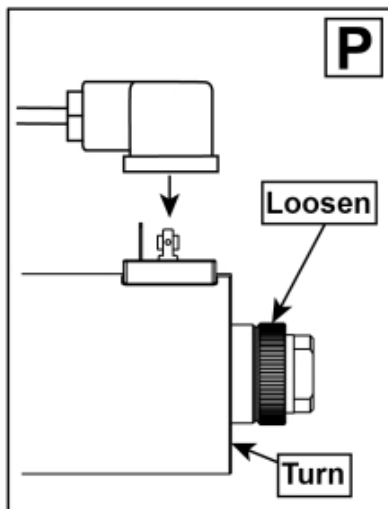
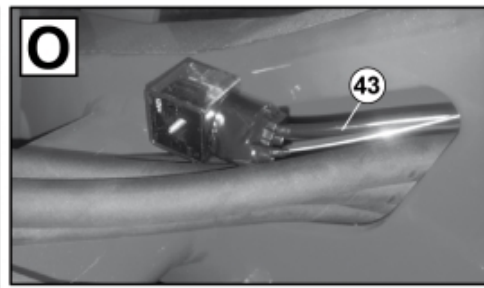
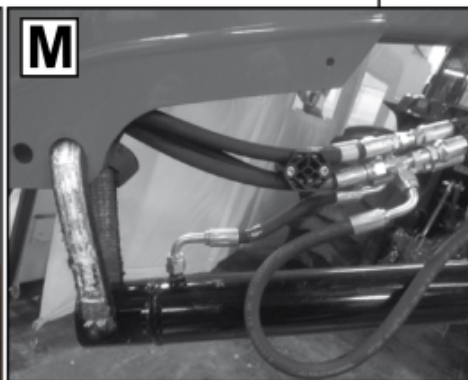
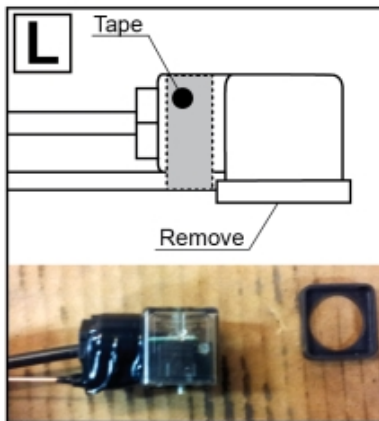
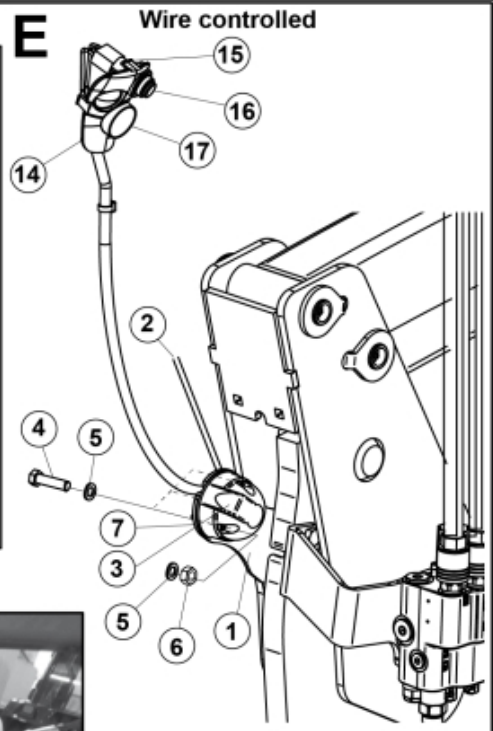
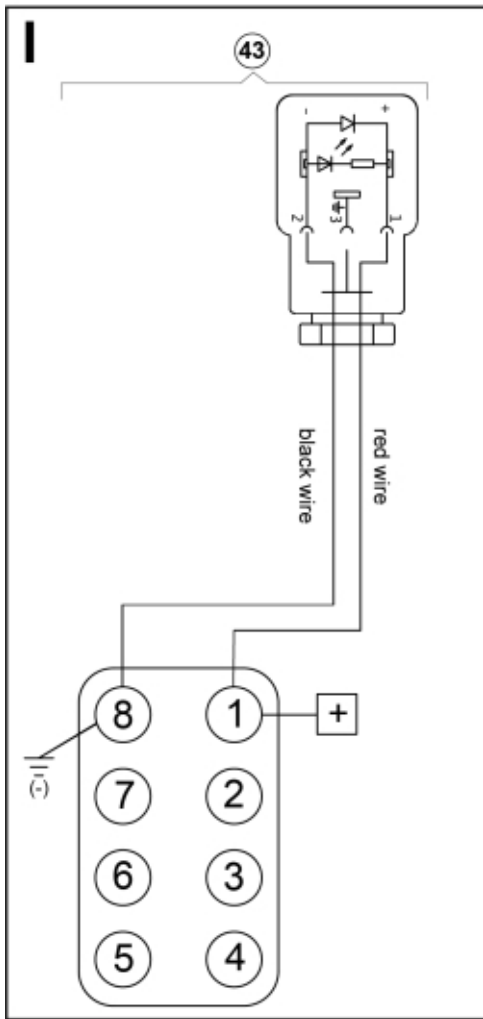


7-pin

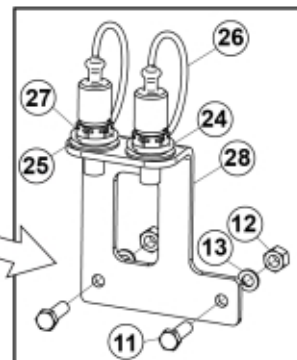
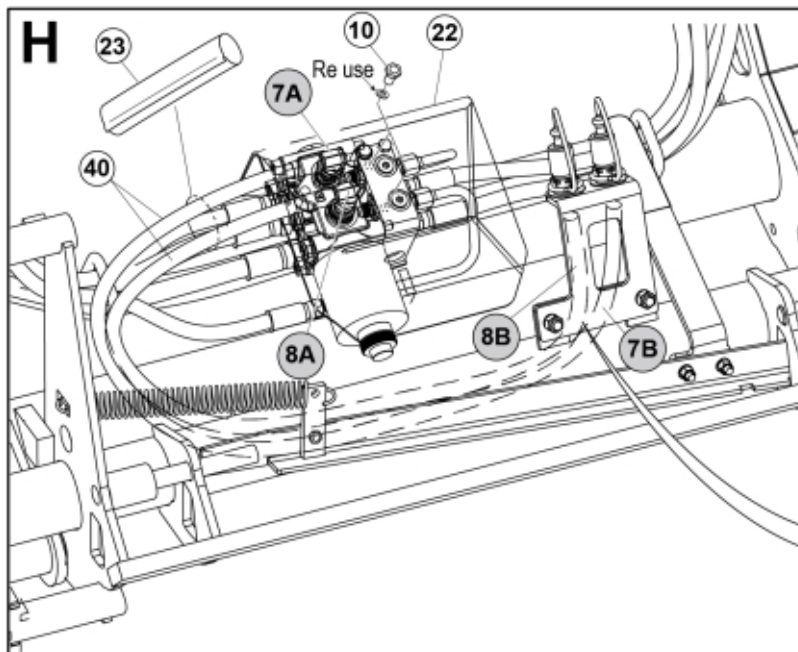
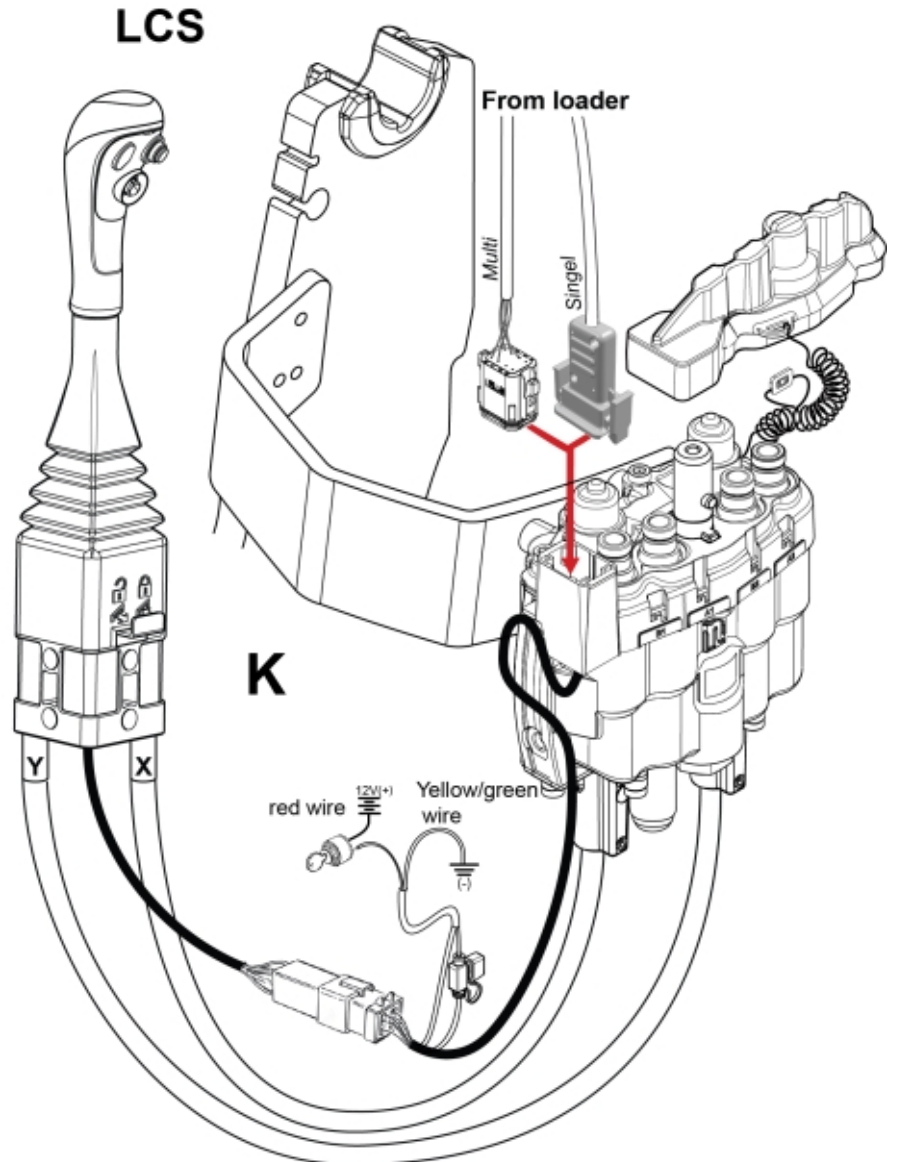


M 60010002_10007_009999_2





M 60010002_10007_009999_3



Part assemblies 3rd service
Specification Year From: 01/02/2016 00:00:00
 no harness, Direct:no harness, direct controlled valve

PartNo	Pos	Qty	Name	Specifications
60010002		1	3rd service	01/02/2016 00:00:00
5002060	10	2	Screw	M6S M8x12 (8,8)
5002077	11	2	Screw	M6S 10x30
5011554	12	2	Nut	Loc-King M10
5013102	13	2	Washer	BRB 10 x 18 x 2
60009571	22	1	Protection plate	Replaces 5221270
5221975	23	1	Hose cover	
5222579		1	Bracket kit	
5022157	24	1	• Washer, red	
5022159	25	1	• Washer, blue	
5044129	26	2	• Dust Cover	1/2" Male
5044940	27	2	• Coupling	ISO-A 1/2" Male - G3/8
5222580	28	1	• Bracket	
5221303		2	Oil pipe kit	
5028109	30	1	• Adaptor	JIC 9/16"
5222581	31	1	• Oil pipe	
1103117	40	2	Hose	3/8"
60010211		1	Control valve	
60009542	44	1	• Valve assy.	Roquet
5050388	45	2	• O-ring	Ø25 0,7x2,62
5013101	46	4	• Washer	BRB 8,4 x 16
5004054	47	4	• Screw	MC6S M8x80
60009550	48	1	• Valve block	
5028121	49	4	• Plug	UNF 9/16
60010115	50	2	• Pressure relief valve	
5028078	51	2	Adaptor	3/4" ORB -3/4" JIC
5028118	52	4	Adapter short cpl.	9/16" UNF JIC
5028262	53	2	Adaptor	