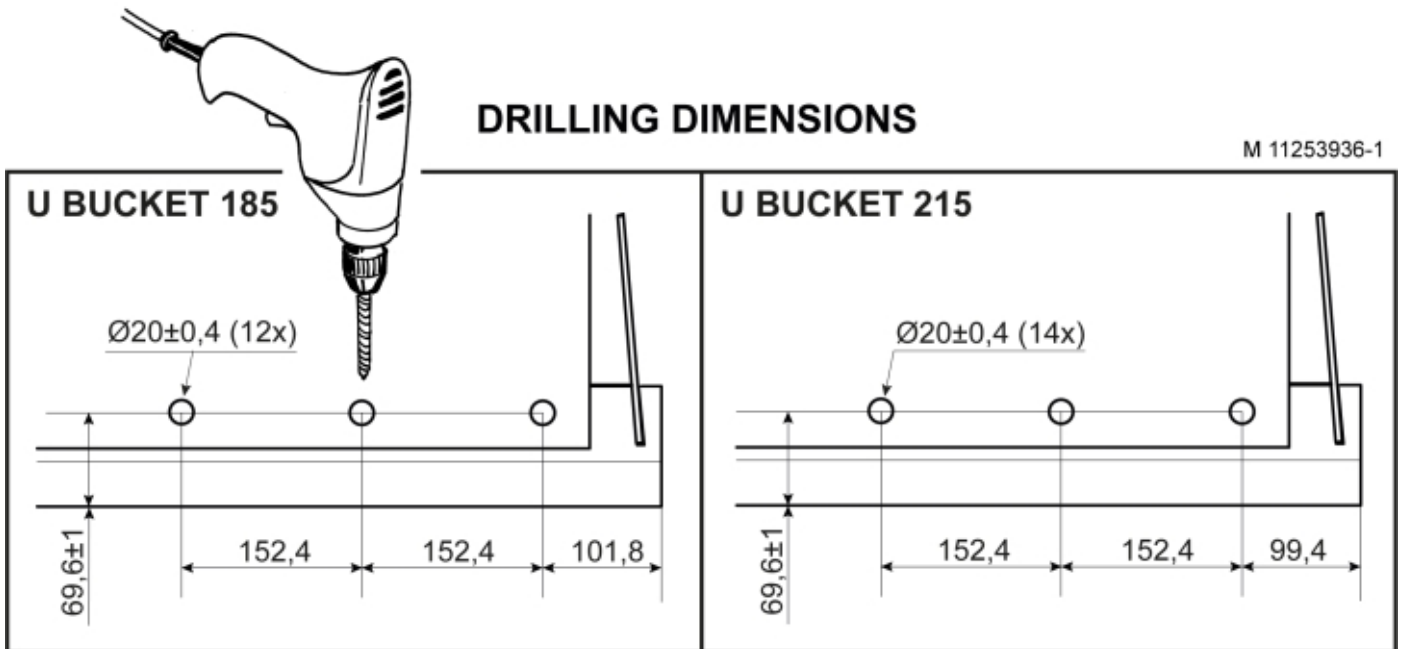


M 11253936-2

DRILLING DIMENSIONS

M 11253936-1



Description 215
Part assemblies Bolt on Cutting Edge kit 215

PartNo	Pos	Qty	Name	Specifications
11254000		1	Bolt on Cutting Edge kit 215	
60012114	1	1 PCS	Cutting edge	Bolt-on
5050364	2	14 PCS	Plow bolt	5/8" - 2 inch
5050485	3	14	Locking nut	UNC 5/8"