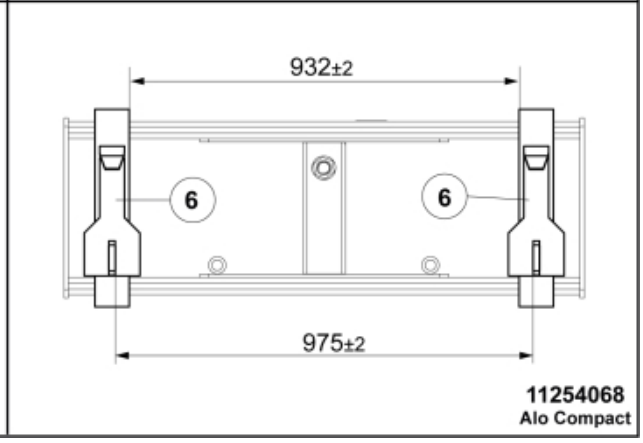
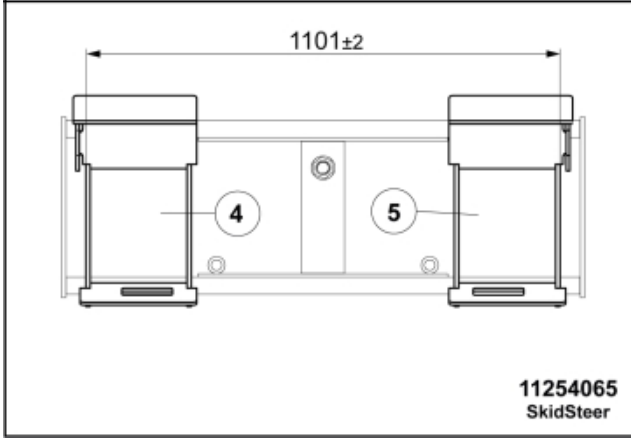
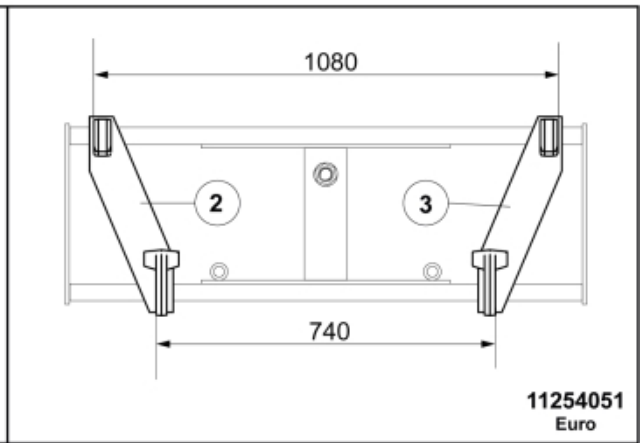
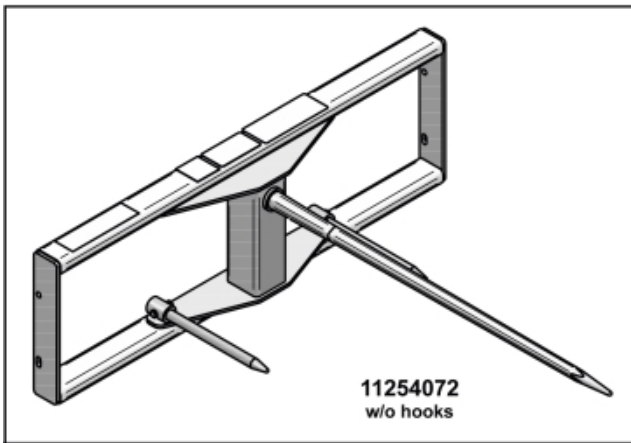
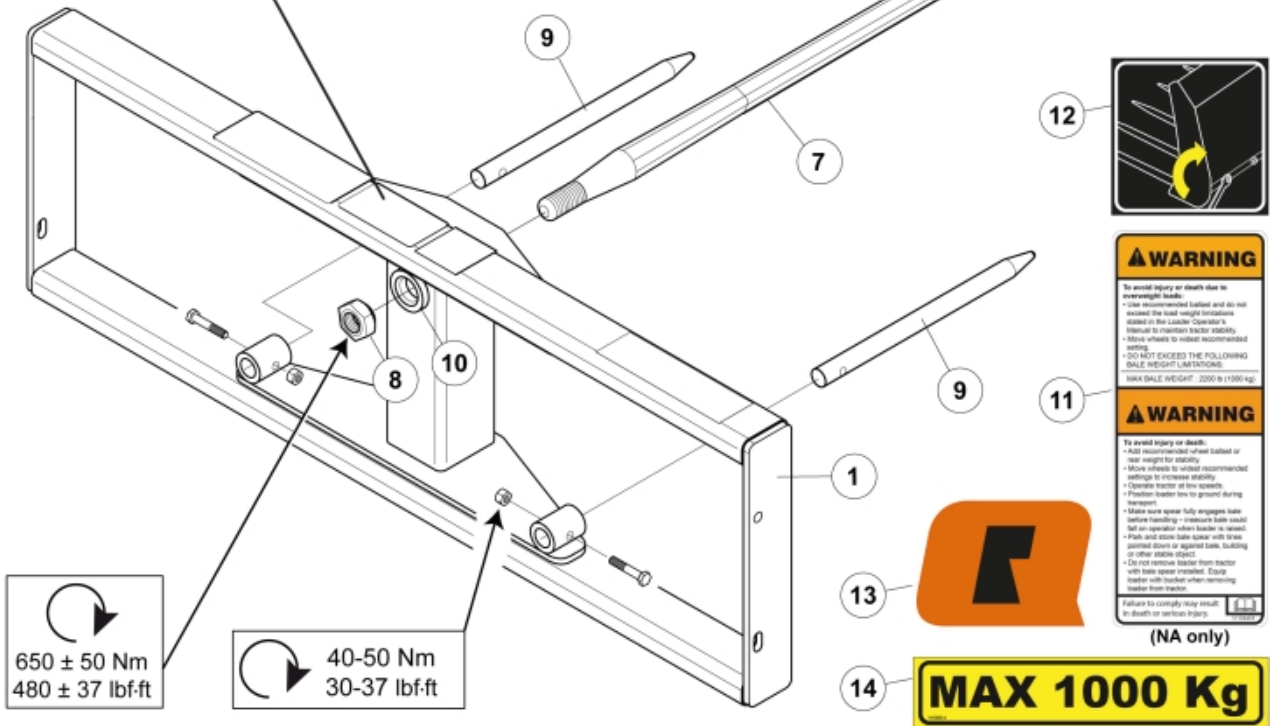
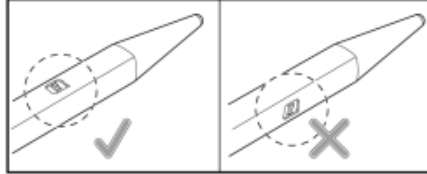


60013268  
11254051  
11254066  
11254069  
11254072

Product	Frame for bale spike	Made in	Alo 48
Part No.	XXXXXXXXXX	Country	Sweden
Weight	XXXX-XX-XX	Net Wt.	XX kg
Part No.	1125XXXXF	Country	XXXXXXXXXX



**Part assemblies** Bale Spike 2016 Alo Compact  
**Specification** Year From: 01/01/2016 00:00:00

<b>PartNo</b>	<b>Pos</b>	<b>Qty</b>	<b>Name</b>	<b>Specifications</b>
11254068			Bale Spike 2016 Alo Compact	01/01/2016 00:00:00
11254067	1	1	Frame	Bale Spike Alo Compact
11252212	6	2 PCS	• Implement hook	Alo Compact
5068120-17	7	1	Tine with nut	L=1240mm (5068004)
5068116	8	1	• Nut	Conus 2
60013306	9	2 PCS	Tine cpl.	L=380mm
1209699	10	1	Sleeve	
11136453	11	1 PCS	Warning decal	Only for North Am.
11136517	12	1	Warning decal	"Tightening of tine"
60049053	13	1	Decal	"Q" small 80x57
11136514	14	1	Warning decal	"Max 1000 kg"