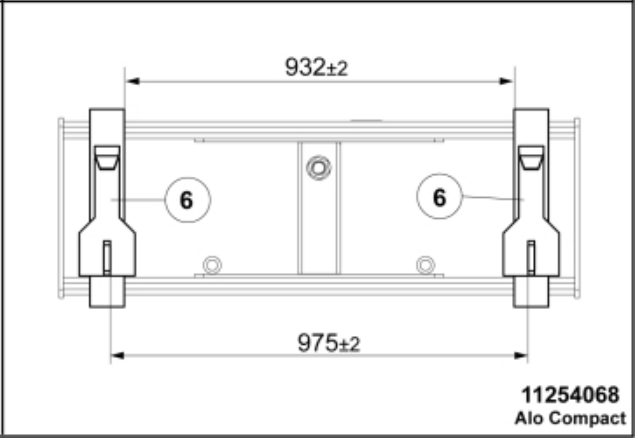
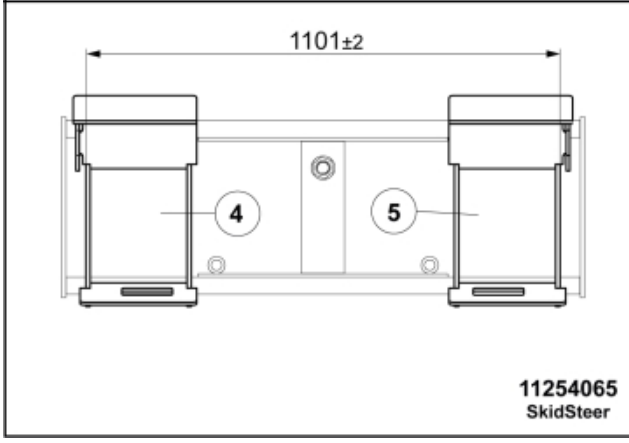
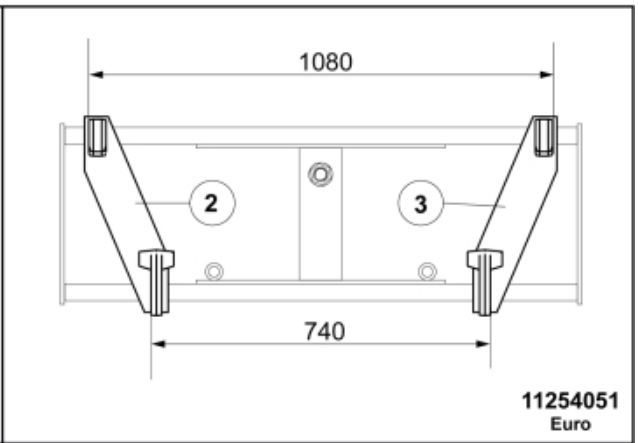
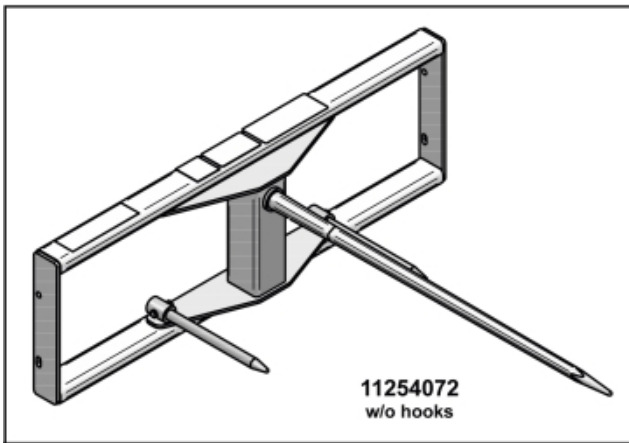
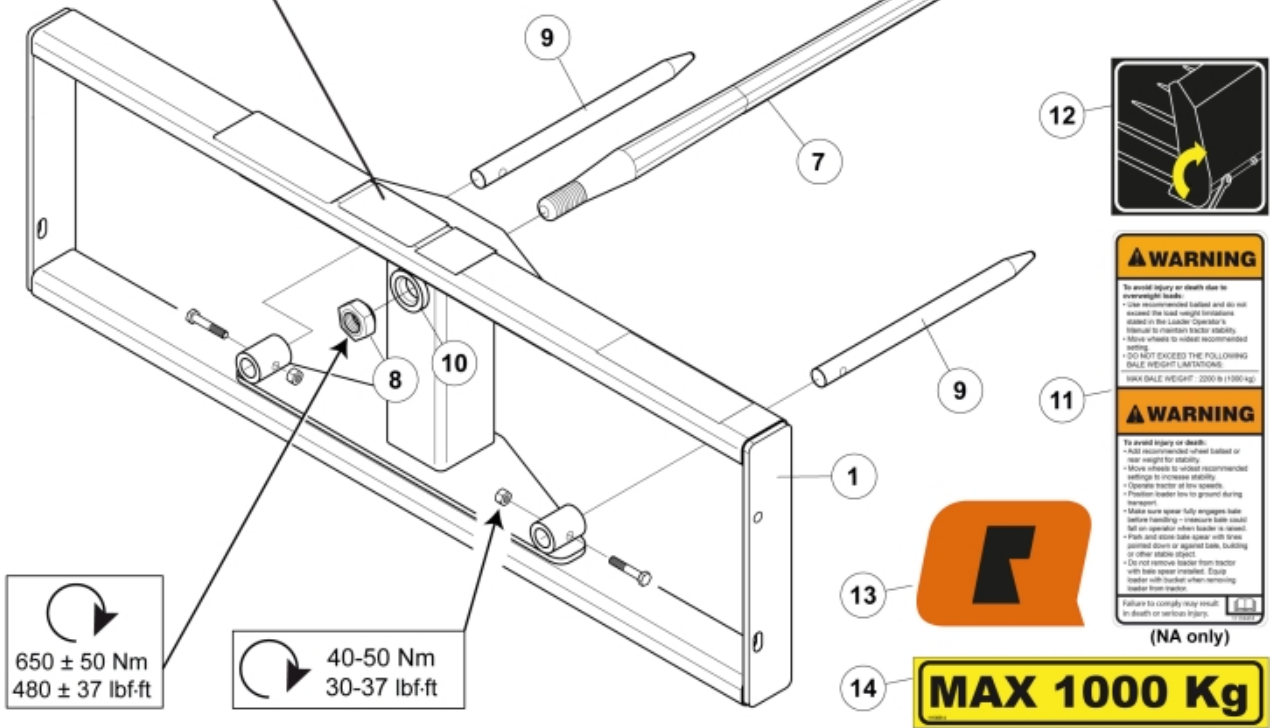
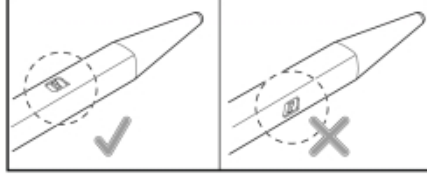


60013268
11254051
11254066
11254069
11254072

Product	Frame for bale spike	Made by	AJO AB
Part No.	XXXXXXXXXX	Country of origin	Sweden
Weight	XXXX-XX-XX	Net weight	XX kg
Part No.	1125XXXXF	Country of origin	XXXXXXXXXX



Part assemblies Bale Spike 2016 w/o hooks
Specification Year From: 01/01/2016 00:00:00

PartNo	Pos	Qty	Name	Specifications
11254072			Bale Spike 2016 w/o hooks	01/01/2016 00:00:00
11254070	1	1	Frame	w/o hooks
5068120-17	7	1	Tine with nut	L=1240mm (5068004)
5068116	8	1	• Nut	Conus 2
60013306	9	2 PCS	Tine cpl.	L=380mm
1209699	10	1	Sleeve	
11136453	11	1 PCS	Warning decal	Only for North Am.
11136517	12	1	Warning decal	"Tightening of tine"
60049053	13	2	Decal	"Q" small 80x57
11136514	14	1	Warning decal	"Max 1000 kg"