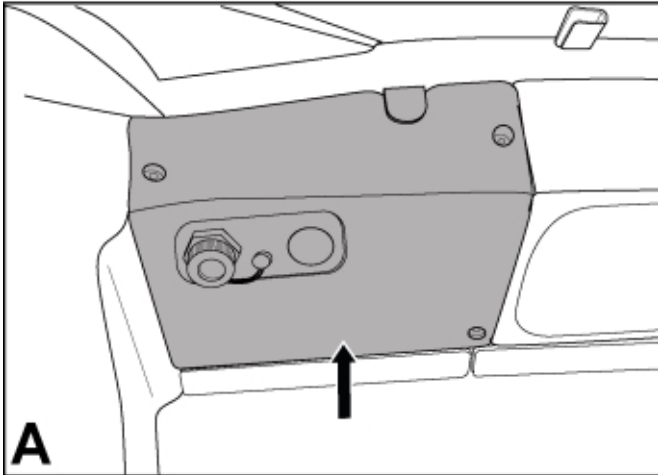
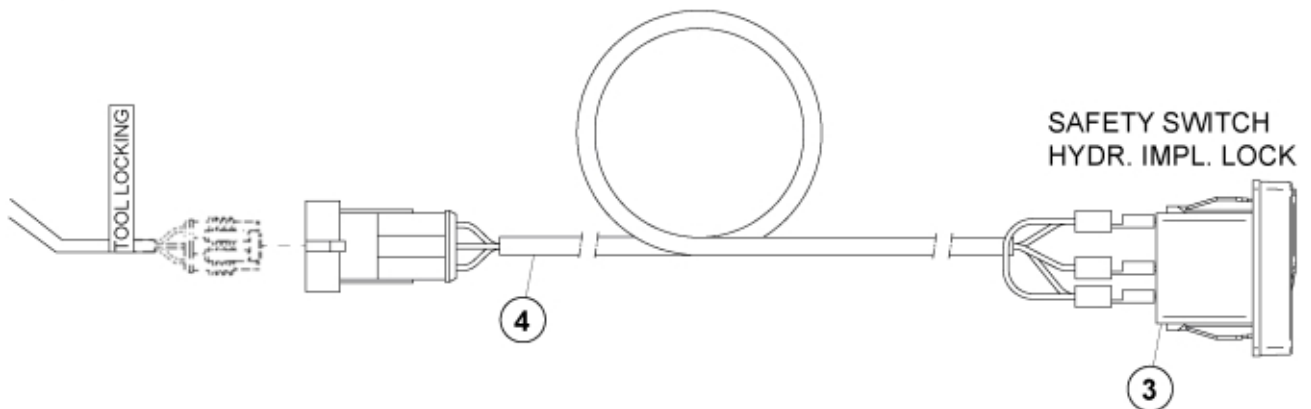
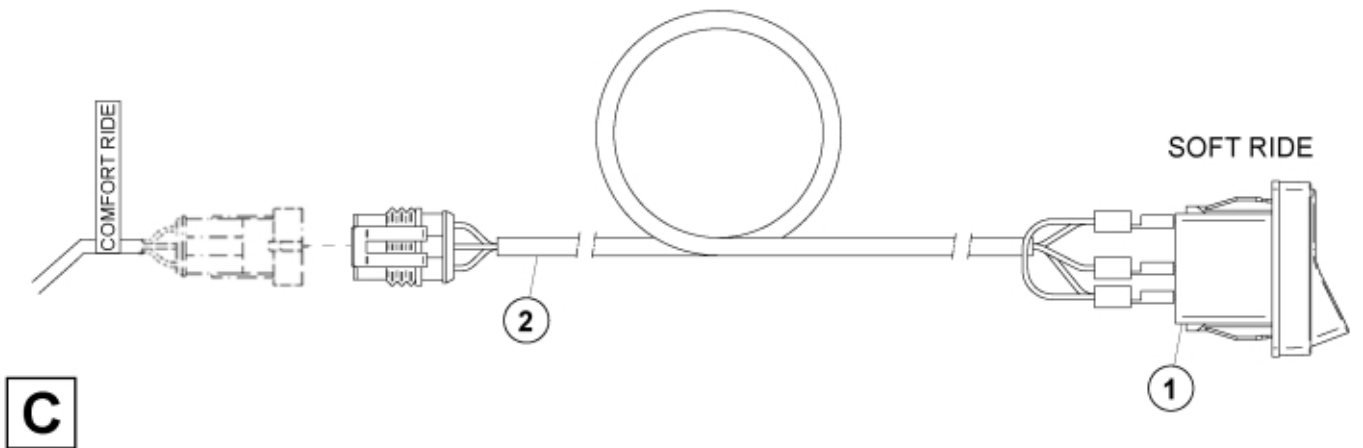


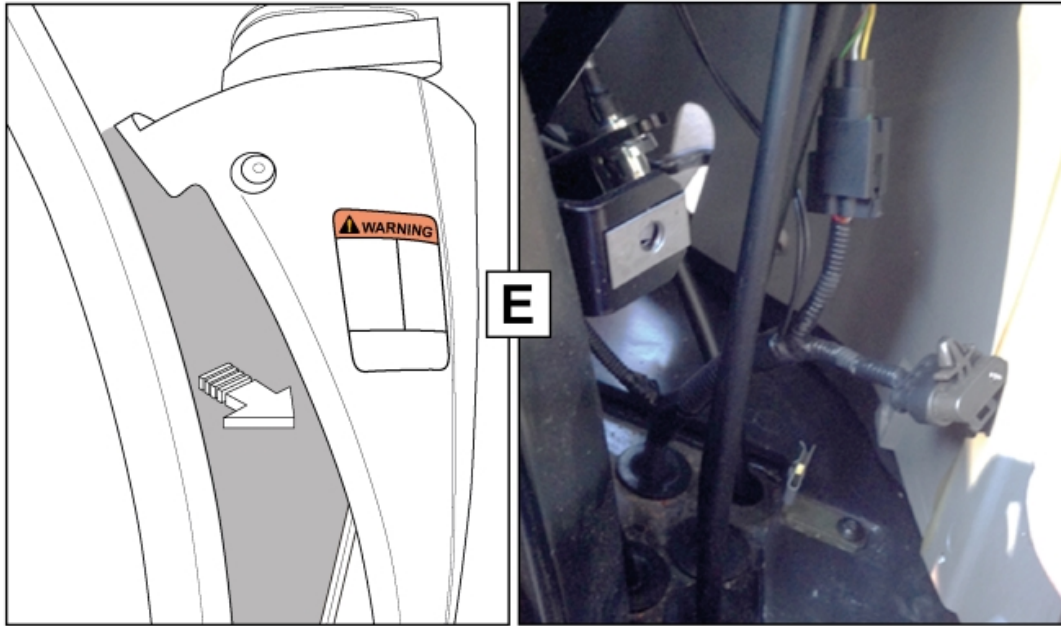
Installation on T6, T7, Maxxum & Puma tractors with complete loader ready option



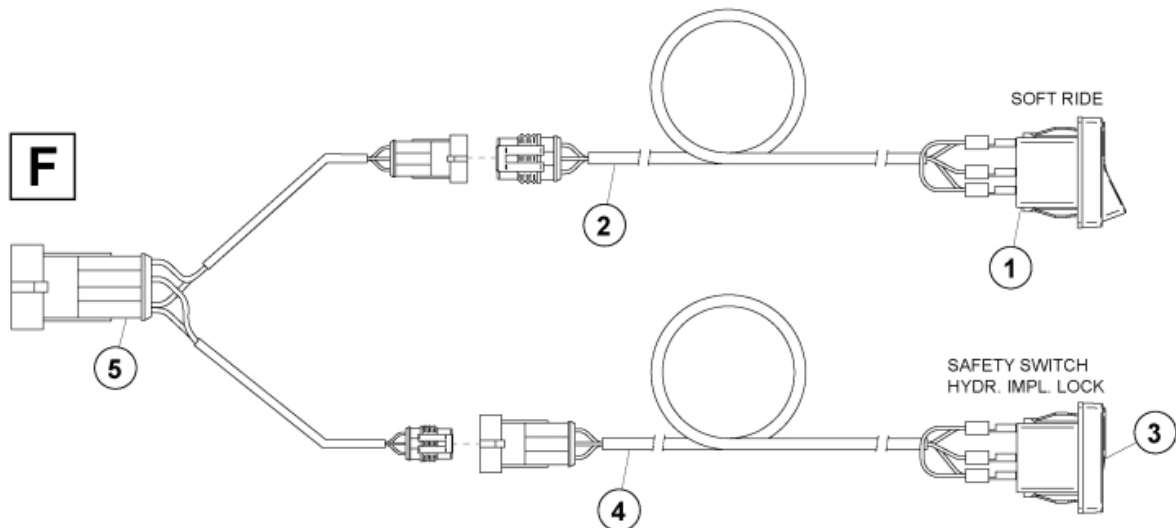
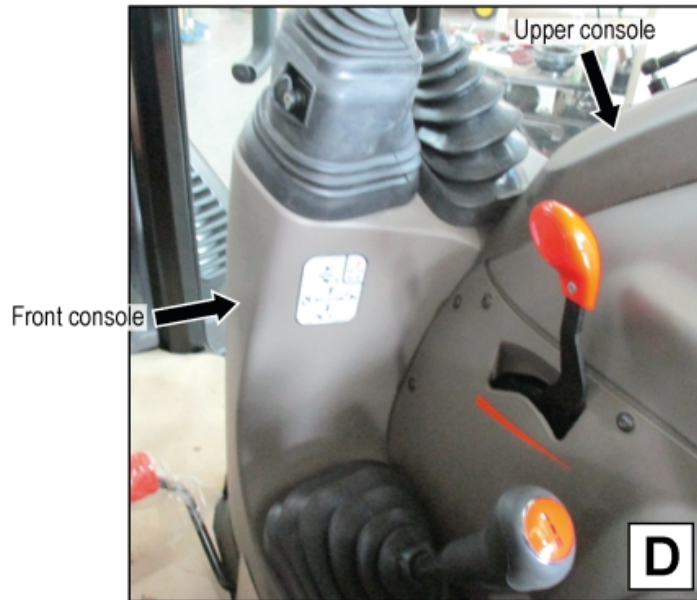
M 5050495_1



Installation on TS6 & Farmall A tractors with complete loader ready option



M 5050495_2



Part assemblies Switch cpl.

PartNo	Pos	Qty	Name	Specifications
5050495		1 PCS	Switch cpl.	
5050199		1 PCS	Switch cpl.	
5103077	1	1	• Switch	SoftDrive 21x37
5050200	2	1 PCS	• Harness	Not Sold Separately
5050202		1 PCS	Safety switch cpl.	
5103006	3	1	• Safety switch	Q-Lock 21x37
5050203	4	1 PCS	• Harness	Not Sold Separately
5050204	5	1 PCS	Harness	