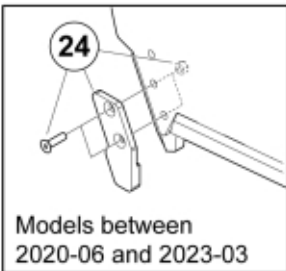
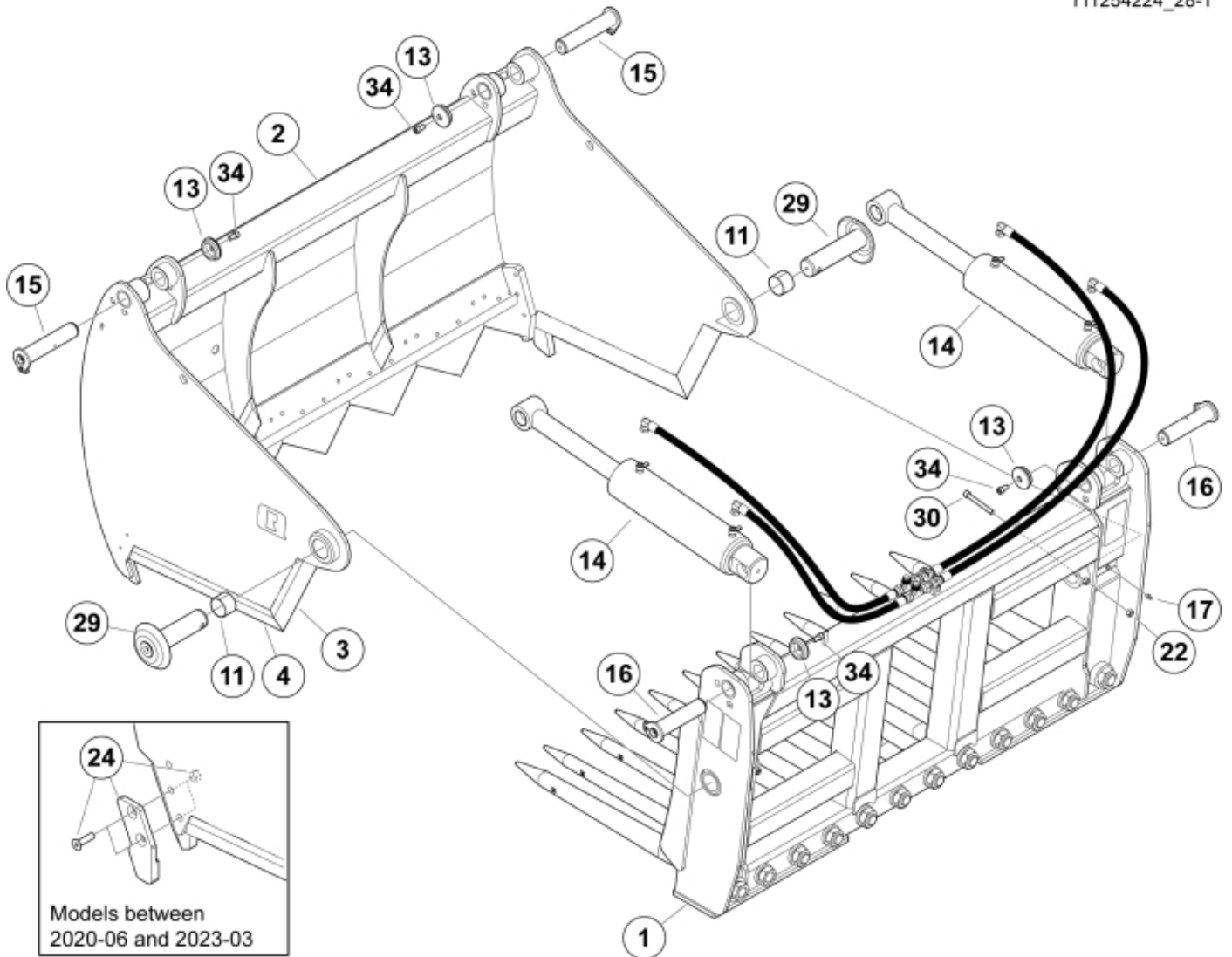
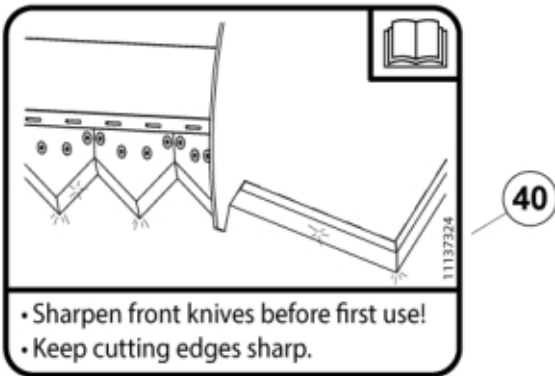


r11254224_28-1





r11254224_4226_4228_4229_4231_4234_4237_5844_5960_5961_5962-2

Part assemblies		Silocut M+ 150 Forged tines		
Specification		Year From: 01/08/2016 00:00:00		
PartNo	Pos	Qty	Name	Specifications
11254228		1	Silocut M+ 150 Forged tines	01/08/2016 00:00:00
60015794-17	1	1	Frame, without tines	
60071095-17	2	1	Jaw	
11261263	3	2	• Cutting edge	
60060723	4	2	• Cutting edge	
5013101	8	2	Washer	BRB 8,4 x 16
5011553	9	2	Nut	M6M M8 Loc-king
5018909	11	2	Bushing	
5050610	12	26	Screw	MF6S 12.9 fzb M12x20
5215131	13	4	Locking cover	
12727910-1	14	2	Cylinder	Glossy Black, 03/02/2026 00:00:00
9020124	15	2	Pin cpl.	
9020126	16	2	Pin cpl.	
5023005	17	2	Greaser	M 10 x 1
5028031	18	2	T-Adapter	
11120580	19	2	Adapter cpl.	
10378385		1	Hose kit	
9032499	20	2	• Hose	3/8" L=805mm
9032500	21	2	• Hose	3/8" L=1155mm
5011554	22	2	Nut	Loc-King M10
60092323	24	1	Service kit	
		1	• Tooth	
		1	• Tooth	
		4	• Screw	
		4	• Nut	M12 Loc
11262629-22	27	5	Cutting edge	250mm
11262627-22	26	1	Cutting edge LH	125mm
11262628-22	28	1	Cutting edge RH	125mm
11262660	29	2	Pin	
5004956	30	2	Screw	MC6S M10 x 90
5022177	31	1	Cable tie	Red
5022179	32	1	Cable tie	Blue
5004917	34	4	Screw	
5016968	35	2	Hose clamp	
11136516	39	1	Warning decal	
11137324	40	1	Warning decal	"Keep cutting edges sharp"
60071733	41	1	Decal	"Max 210 bar"
1123673	42	1	Warning decal	
1123674	43	1	Warning decal	"Read manual"
60062206	44	1	Decal	"Silocut M+"
60056616	45	2	Decal	"Q" medium 110mm
11136459	46	1	Warning decal	Only for North Am. Warning triangle
11136447	47	2	Warning decal	Only for North Am. DANGER