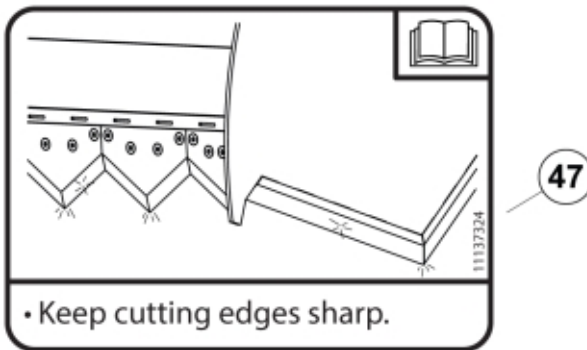


Models between  
2020-06 and 2023-03

r11254234\_11254237



r11254234\_4237\_5844\_5960-2

Part assemblies		Silocut M+ 200 Forged tines		
Specification		Year From: 01/08/2016 00:00:00		
PartNo	Pos	Qty	Name	Specifications
11254234		1	Silocut M+ 200 Forged tines	01/08/2016 00:00:00
60015830-17	1	1	Frame, without tines	
60071113-17	2	1	Jaw	
11261263	3	2	• Cutting edge	
60060723	4	2	• Cutting edge	
9020124	8	2	Pin cpl.	
5018909	10	3	Bushing	
11262660	11	2	Pin	
12727910-1	12	2	Cylinder	Glossy Black, 03/02/2026 00:00:00
12727810-1	13	1	Cylinder	Glossy Black, 05/04/2026 00:00:00
60092323	14	1	Service kit	
		1	• Tooth	
		1	• Tooth	
		4	• Screw	
		4	• Nut	M12 Loc
5004956	16	2	Screw	MC6S M10 x 90
5011554	17	2	Nut	Loc-King M10
5023005	18	2	Greaser	M 10 x 1
5002051	19	2	Screw	M6S 8 x 20
5013101	20	5	Washer	BRB 8,4 x 16
60034182	21	1	Locking plate	
11262627-22	22	1	Cutting edge LH	125mm
11262629-22	23	7	Cutting edge	250mm
11262628-22	24	1	Cutting edge RH	125mm
5050610	25	34	Screw	MF6S 12.9 fzb M12x20
60060201-22	26*	1	Tooth	
5011553	27	3	Nut	M6M M8 Loc-king
5016968	28	3	Hose clamp	
1120176	29	1	T-Adapter	R3/8" BSPP
5027834	30	1	T-Adapter	G3/8" BSPP
11120580	31	2	Adapter cpl.	
5028031	32	2	T-Adapter	
5022177	33	1	Cable tie	Red
5022179	34	1	Cable tie	Blue
5215131	35	6	Locking cover	
5004917	36	6	Screw	
5013110	37	1	Washer	BRB 10.5x22x2
9020126	38	4	Pin cpl.	
10378389		1	Hose kit	
9032500	39	1	• Hose	3/8" L=1155mm
9032508	40	1	• Hose	3/8" L=295mm
9032507	41	2	• Hose	3/8" L=400mm
9032504	42	1	• Hose	3/8" L=1630mm
9032503	43	1	• Hose	3/8" L=1280mm
9032499	44	1	• Hose	3/8" L=805mm
9020128	45	1	Pin cpl.	
60071733	46	1	Decal	"Max 210 bar"
11137324	47	1	Warning decal	"Keep cutting edges sharp"

1123674	48	1	Warning decal	"Read manual"
1123673	49	1	Warning decal	
11136516	50	1	Warning decal	
60062206	51	1	Decal	"Silocut M+"
60056616	52	2	Decal	"Q" medium 110mm
11136447	53	2	Warning decal	Only for North Am. DANGER
11136459	54	1	Warning decal	Only for North Am. Warning triangle