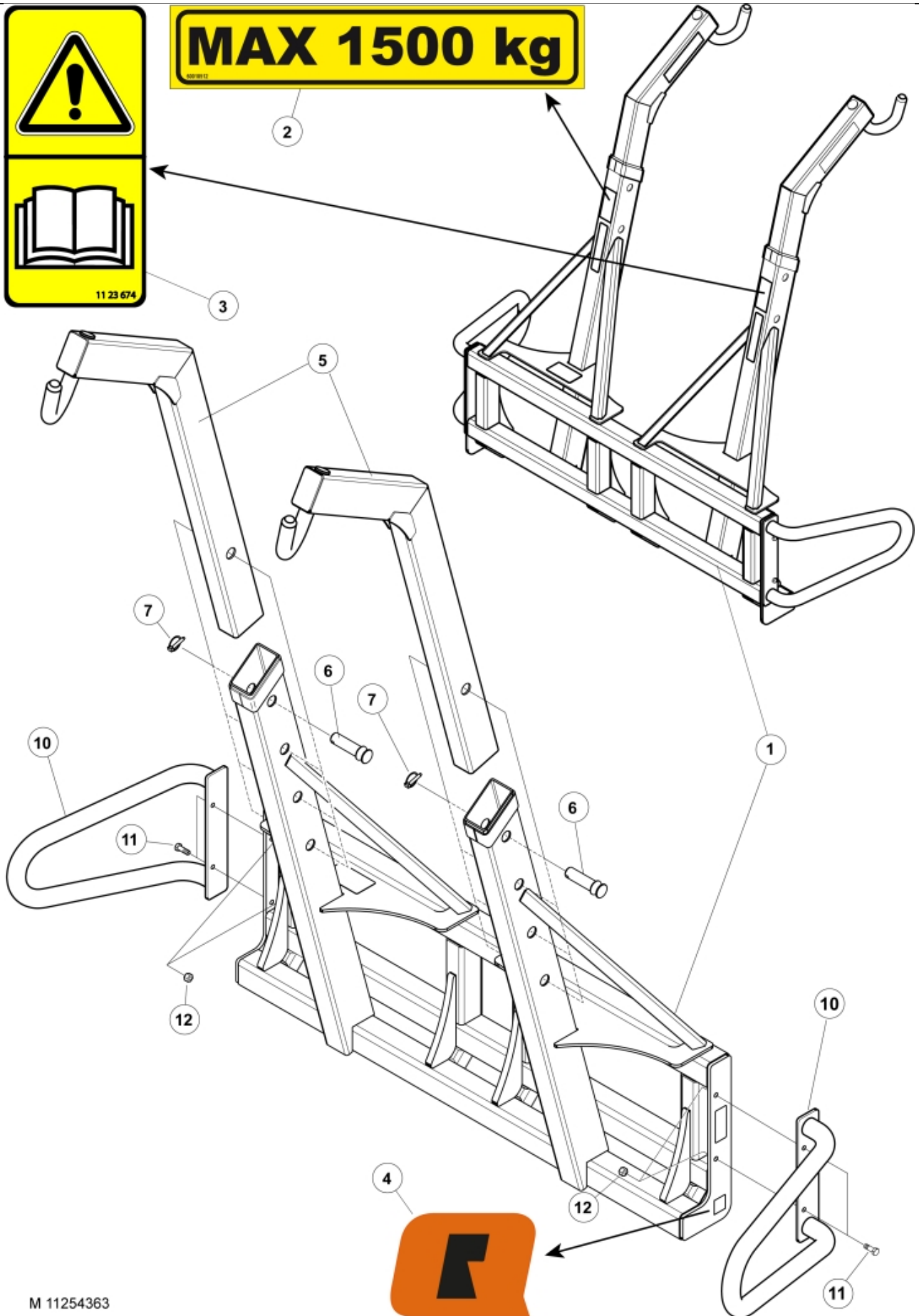




MAX 1500 kg



M 11254363

Part assemblies Big Bag Lifter, Dual
Specification Year From: 01/01/2017 00:00:00

PartNo	Pos	Qty	Name	Specifications
11254363		1	Big Bag Lifter, Dual	01/01/2017 00:00:00
11255986Q	1	1 PCS	Frame	Dual arm
60018512	2	2 PCS	Warning decal	Max 1500 kg
1123674	3	2	Warning decal	"Read manual"
60049053	4	1	Decal	"Q" small 80x57
60057386	5	2 PCS	Arm	Triple arm
60015958	6	2	Locking Pin	
5017002	7	2	Linch pin	
60018454	10	2 PCS	Support kit	
5002103	11	2	• Screw	M12 x 35
5011555	12	2	• Nut	M12 Loc