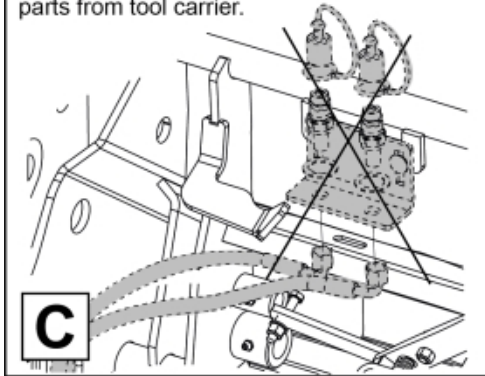
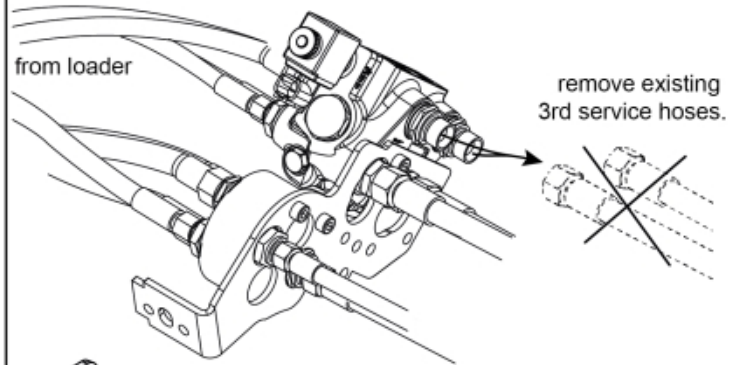


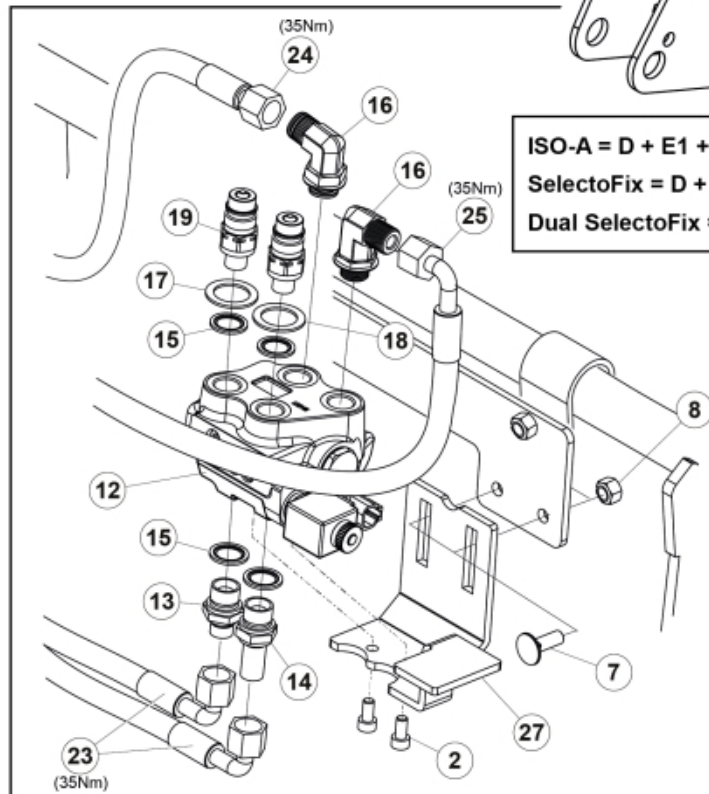
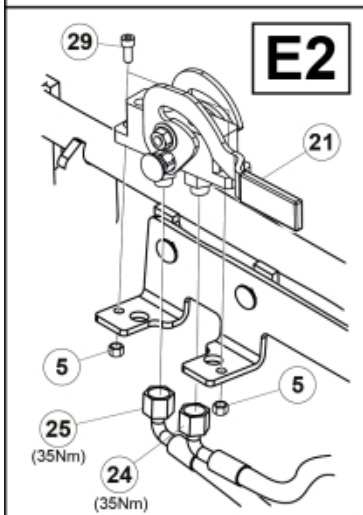
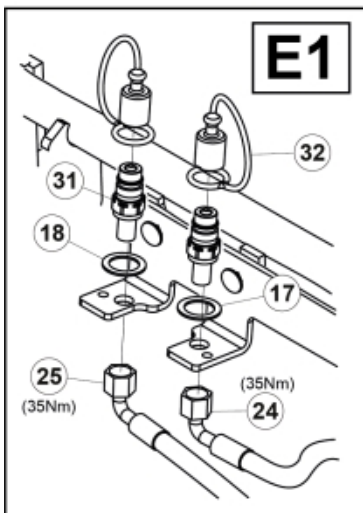
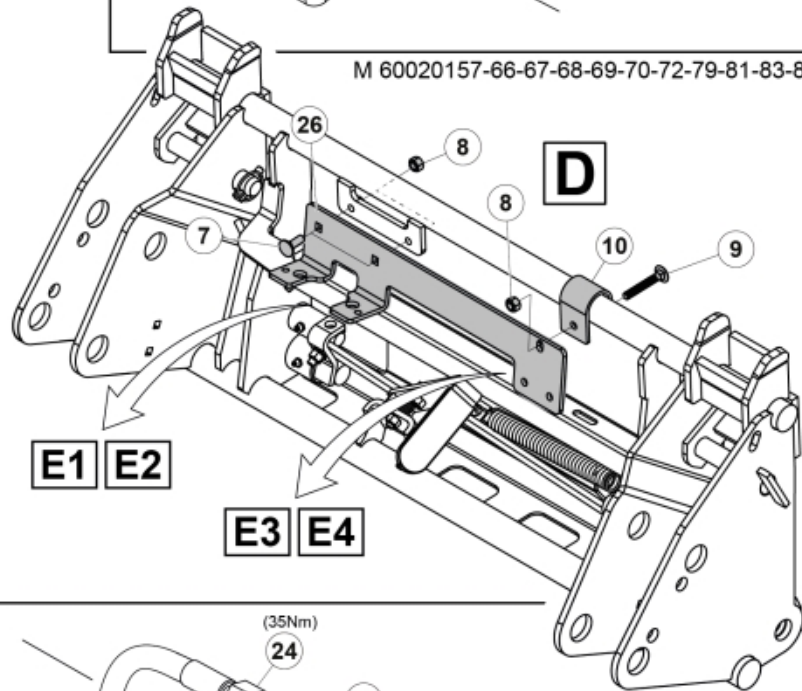
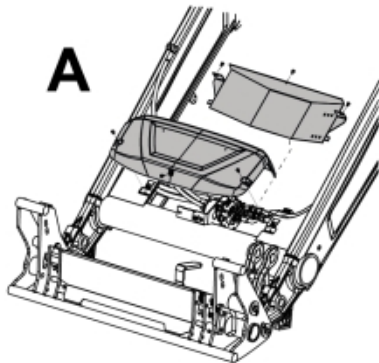
Remove existing 3rd service parts from tool carrier.



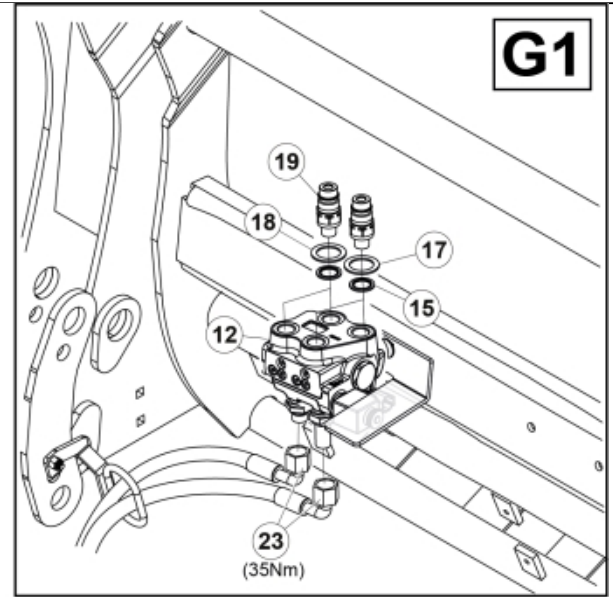
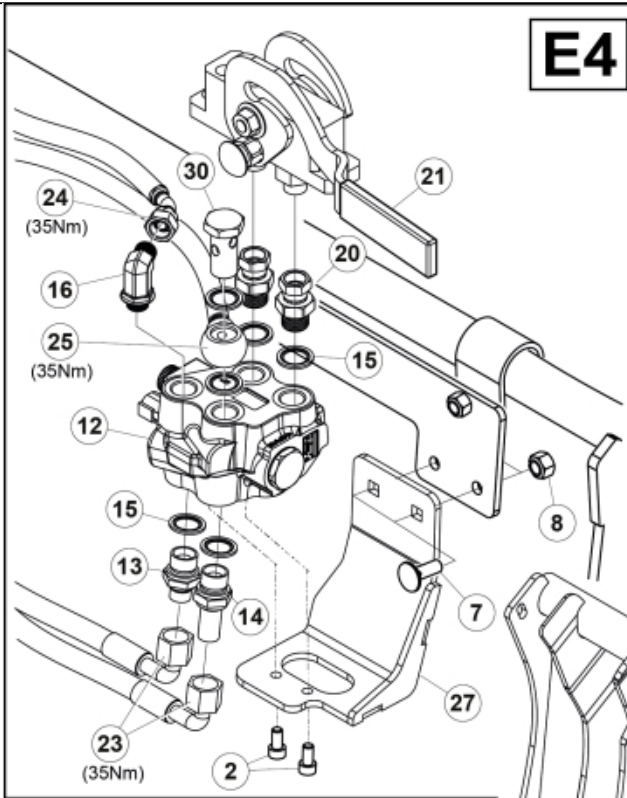
B



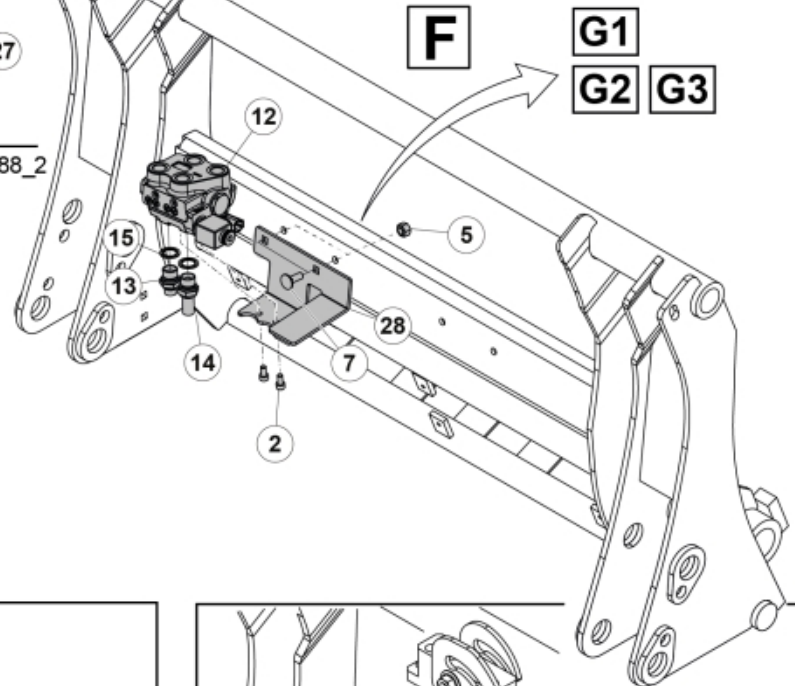
M 60020157-66-67-68-69-70-72-79-81-83-84-88



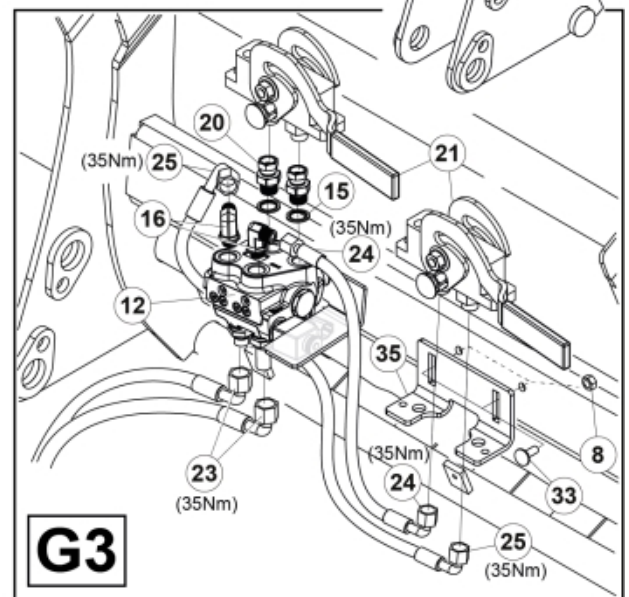
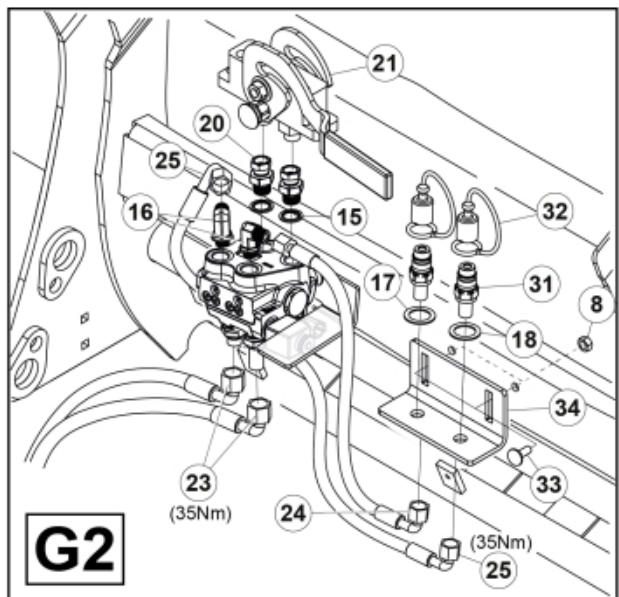
ISO-A = D + E1 + E3
 SelectoFix = D + E2 + E3
 Dual SelectoFix = D + E2 + E4



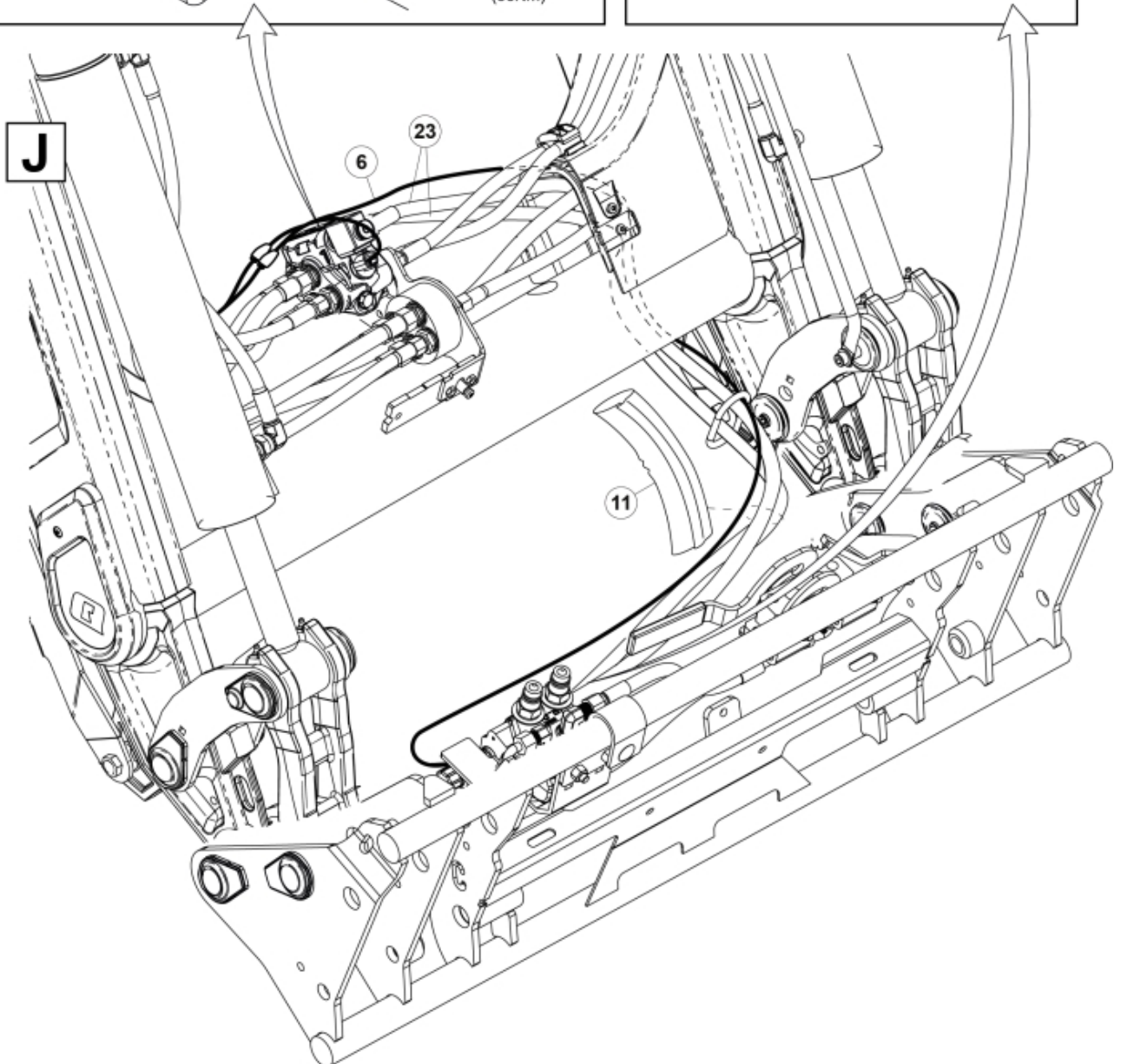
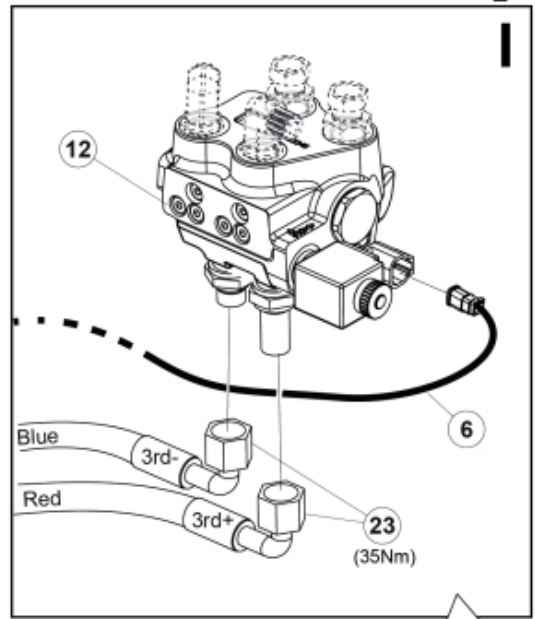
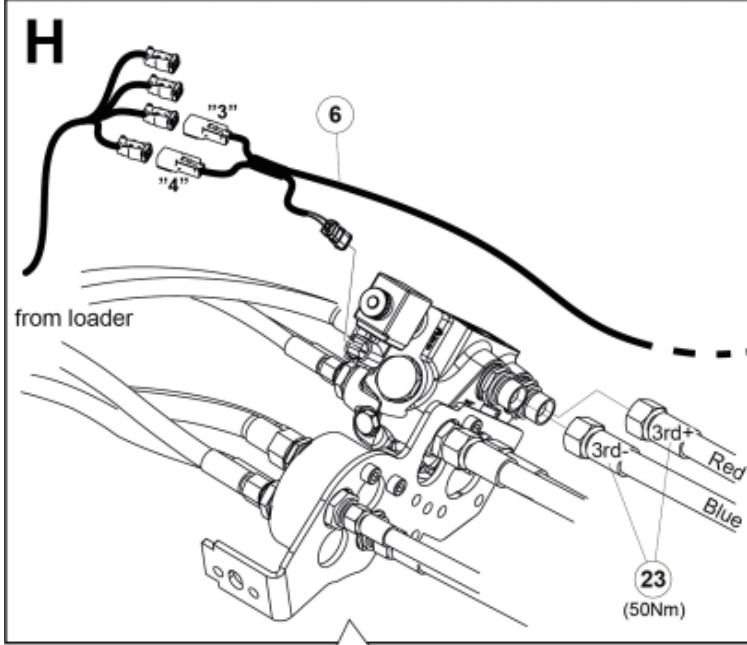
M 60020157-66-67-68-69-70-72-79-81-83-84-88_2



ISO-A = F + G1
 SelectoFix = F + G2
 Dual SelectoFix = F + G3



M 60020157-66-67-68-69-70-72-79-81-83-84-88_3



Description DXL
Part assemblies 4th service, Dual SelectoFix

| PartNo | Pos | Qty | Name | Specifications |
|----------|-----|-------|------------------------------|--|
| 60020188 | | 1 PCS | 4th service, Dual SelectoFix | |
| 5004919 | 2 | 2 | Screw | MC6S M8x16 |
| 5011553 | 5 | 2 | Nut | M6M M8 Loc-king |
| 60032063 | 6 | 1 | Cable | 4th service. (replaces 60015907) |
| 5006002 | 7 | 4 | Screw | MVBF 10x30 |
| 5011554 | 8 | 7 | Nut | Loc-King M10 |
| 60014337 | 9 | 1 | Screw | M10x70 MVBF |
| 60014154 | 10 | 1 | Bracket | |
| 60019369 | 11 | 1 | Hose cover | |
| 4501105 | 12 | 1 | Block cpl | 4th service, Replaces 60011052, 01/03/2019 00:00:00 |
| 1120011 | 13 | 1 | Adaptor | R1/2"-R3/8" |
| 1120158 | 14 | 1 | Adaptor | R 1/2" - R 3/8" |
| 5013853 | 15 | 6 | Dowty washer | Tredo 1/2", Part is included in kit 60007907 Hose cpl., 9032177 Hose cpl. |
| 60014257 | 16 | 1 | Adaptor | 90° |
| 60011053 | 20 | 2 | Adaptor | G1/2" - G3/8" |
| 10550369 | 21 | 2 | Selecto Fix, Lower part | |
| 60014360 | 23 | 2 PCS | Hose | 3/8" L=1880 1/2GRLMA - 3/8G90LMA |
| 60021571 | 24 | 1 | Hose | 3/8" L=315 3/8GRLMA - 3/8G90LMC |
| 60021569 | 25 | 1 | Hose | 3/8" L=425 3/8G90LM - 1/2GBanjo |
| 60013896 | 26 | 1 | Bracket | |
| 60021160 | 27 | 1 | Bracket | |
| 5004061 | 29 | 2 | Screw | MC6S M8x20 |
| 1120241 | 30 | 1 | Hollow screw | |