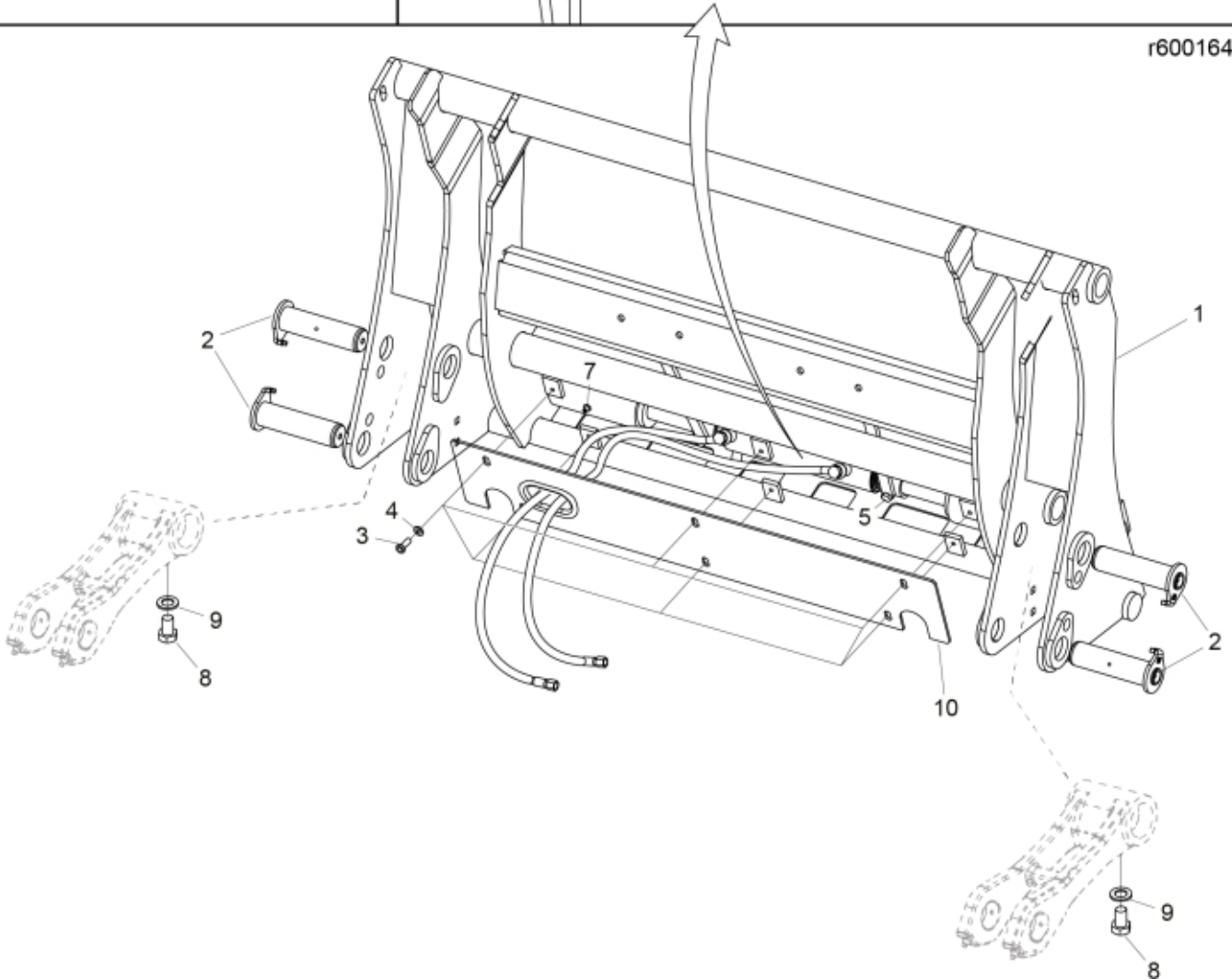


r60016422



Part assemblies		BigBM DL Hydraulic		
Specification		Specification: Black Texture		
PartNo	Pos	Qty	Name	Specifications
60016422-17			BigBM DL Hydraulic	Black Texture
5219074-17	1	1 PCS	Tool carrier	Black Texture
60019828	2	4	Pivot Pin	D=40, L=147mm
5002051	3	6	Screw	M6S 8 x 20
5013101	4	6	Washer	BRB 8,4 x 16
5002082	5	2	Screw	M6S M10x70 (8.8)
5011554	6	2	Nut	Loc-King M10
5023005	7	2	Greaser	M 10 x 1
5002172	8	2	Screw	M6S M16x20
5013105	9	2	Washer	BRB 17 x 30 x 3 300HV
5219068	10	1 PCS	Protection plate	
5219075	11	2 PCS	Pin	
5219083	12	2 PCS	Indicator	
5219082	13	2 PCS	Sleeve	
802010	14	1	Cylinder	Ø50/25 L=352-532 Lock cyl.
5013856	15	4	Dowty washer	Tredo 1/4"
1120166	16	2	Banjo fitting	R1/4"
60016425	17	1 PCS	Hose	1/4" L=1490 1/4BANJO - 1/4GRLM
60016426	18	1 PCS	Hose	1/4" L=1675 1/4BANJO - 1/4GRLM