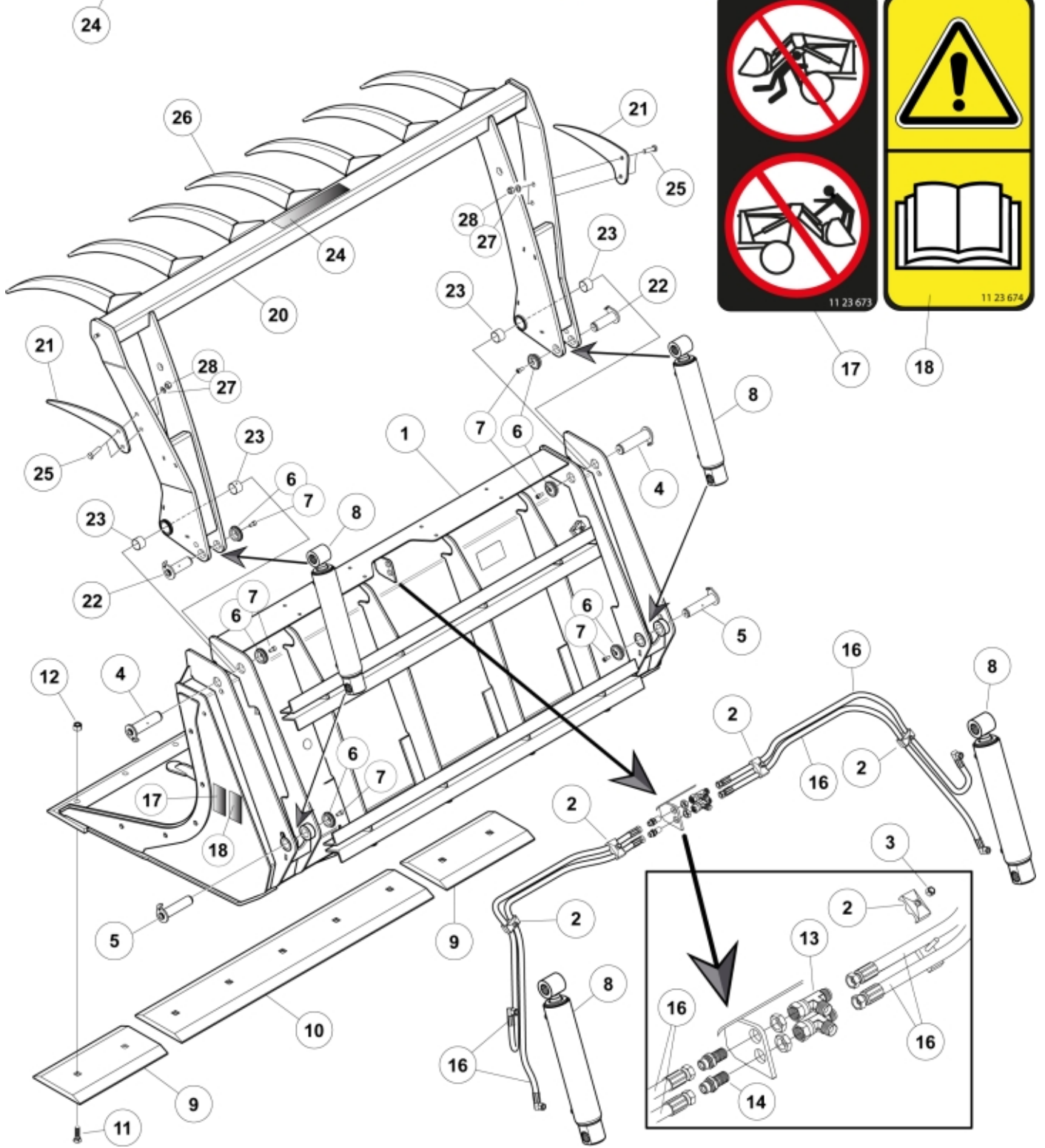


## **Q** Multibenne™ XL



R 11254809



<b>Part assemblies</b>		Multibenne XL 250 Profiled tines		
<b>Specification</b>		Year From: 01/06/2017 00:00:00		
<b>PartNo</b>	<b>Pos</b>	<b>Qty</b>	<b>Name</b>	<b>Specifications</b>
11254809			Multibenne XL 250 Profiled tines	01/06/2017 00:00:00
60021018	1	1 PCS	Bucket	Multibenne XL 250
5016968	2	4	Hose clamp	
5011553	3	4	Nut	M6M M8 Loc-king
60019828	4	2	Pivot Pin	D=40, L=147mm
60000355	5	2	Pivot Pin	D=35, L=147mm
5215131	6	6	Locking cover	
5004917	7	6	Screw	
12702410-1	8	2	Cylinder	Glossy Black
60016510-22	9	2 PCS	Cutting edge	Outer
60016511-22	10	1	Cutting edge	Centre
5050650	11	15 PCS	Plow bolt	3/4" - 2.5 inch
5050652	12	15	Locking nut	UNC 3/4"
5028031	13	2	T-Adapter	
11120580	14	2	Adapter cpl.	
60022714	16	4 PCS	Hose	L=1550, 3/8"G90LMC-1/2"GRLM
1123673	17	1	Warning decal	
1123674	18	1	Warning decal	"Read manual"
60056616	19	2	Decal	"Q" medium 110mm
60021073	20	1 PCS	Upper part	Multibenne XL 250
11260312-22	21	2	Side tine	
9020073	22	2 PCS	Pivot Pin	D=35, L=106mm
5018904	23	4	Bushing	D40 L=30
60004291	24	1 PCS	Decal	Multibenne XL
5002145	25	4	Screw	M6S M14 x 40 (10.9)
60022782-17	26	7 PCS	Tine cpl.	
5013107	27	4	Washer	BRB 15 x 26 x 2
5011556	28	4	Nut	M14