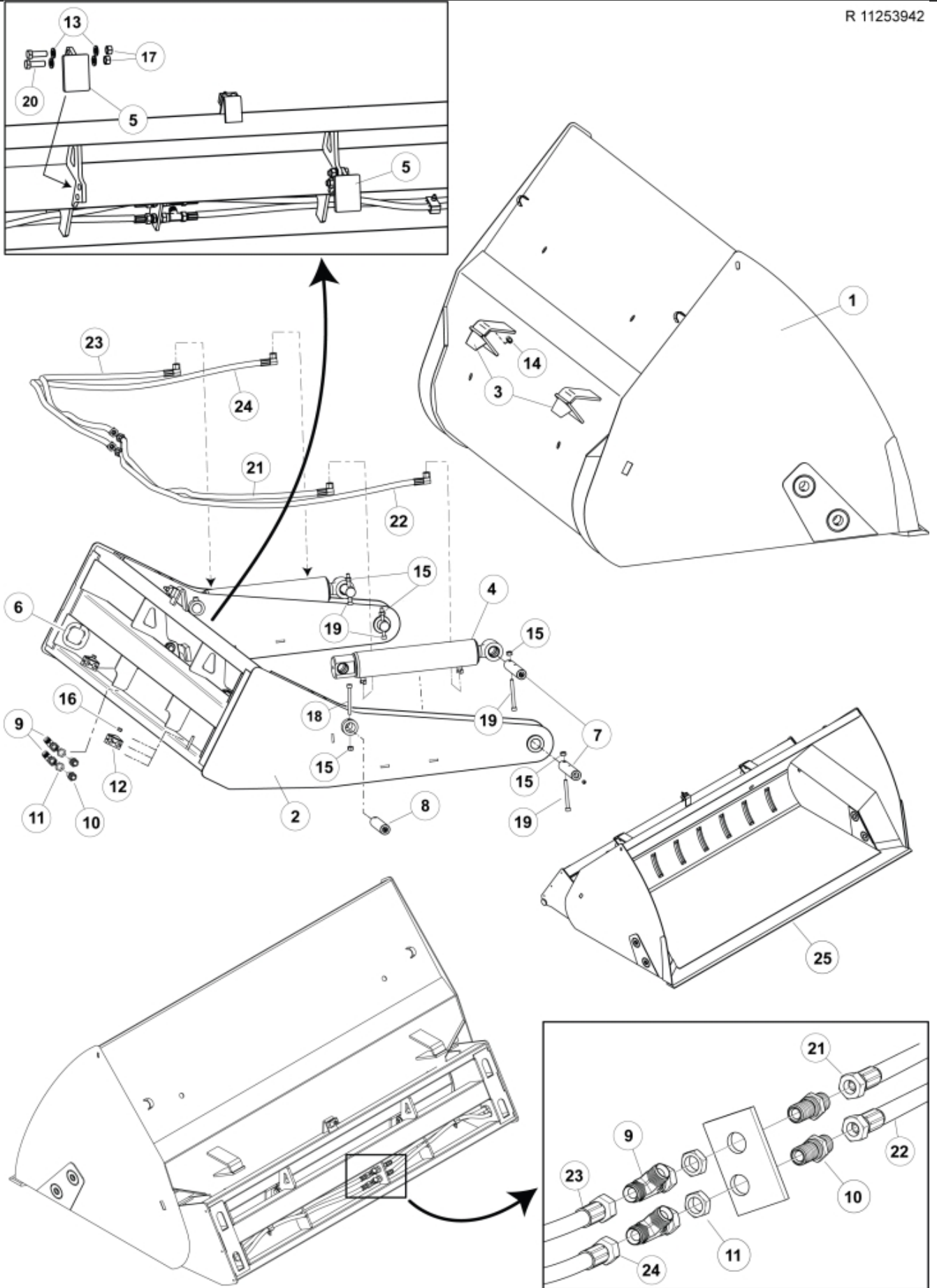


R 11253942



Part assemblies		High Tip Bucket XH M+ 180		
Specification		Year From: 01/01/2014 00:00:00		
PartNo	Pos	Qty	Name	Specifications
11253942		1	High Tip Bucket XH M+ 180	01/01/2014 00:00:00
60044943-17	1	1	Bucket	
5022119		2	• Plug	
60005236-17	2	1 PCS	Frame	
11262597	3	2 PCS	Rubber pad	
12702410-1	4	2	Cylinder	Glossy Black
11262592-22	5	2 PCS	Support	
	6	2 PCS	Cover	
11251929	7	4 PCS	Pin	L=200mm
11251926	8	2 PCS	Pin	L=159mm
5028031	9	2	T-Adapter	
1120159	10	2	Adaptor	
5011757	11	2	Nut	
5016968	12	3	Hose clamp	
5013105	13	8	Washer	BRB 17 x 30 x 3 300HV
5011555	14	2	Nut	M12 Loc
5011554	15	6	Nut	Loc-King M10
5011553	16	3	Nut	M6M M8 Loc-king
5011057	17	4 PCS	Nut	M6M M16
5004957	18	2 PCS	Screw	MC6S M10x70
5004956	19	4	Screw	MC6S M10 x 90
5002154	20	4	Screw	M6S 16 x 50 (8.8)
60031834		1 PCS	Hose kit	
60031830	21	2 PCS	• Hose	3/8" L=1150, 1/2"GRLM x 3/8"G)=LMC
60031831	22	1 PCS	• Hose	3/8" L=1500, 1/2"GRLM x 3/8"G90LMC
60031832	23	1 PCS	• Hose	3/8" L=1340, 1/2"GRLM x 3/8"G90LMC
60031833	24	1 PCS	• Hose	3/8" L=1690, 1/2"GRLM x 3/8"G90LMC
60005389	25	1 PCS	Cutting edge	
60034151		1 PCS	Decal	180 XH
1123673		1	Warning decal	
1123674		1	Warning decal	"Read manual"
11136459		1	Warning decal	Only for North Am. Warning triangle
11136447		1	Warning decal	Only for North Am. DANGER