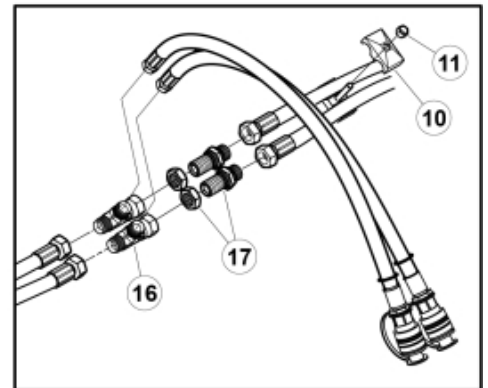
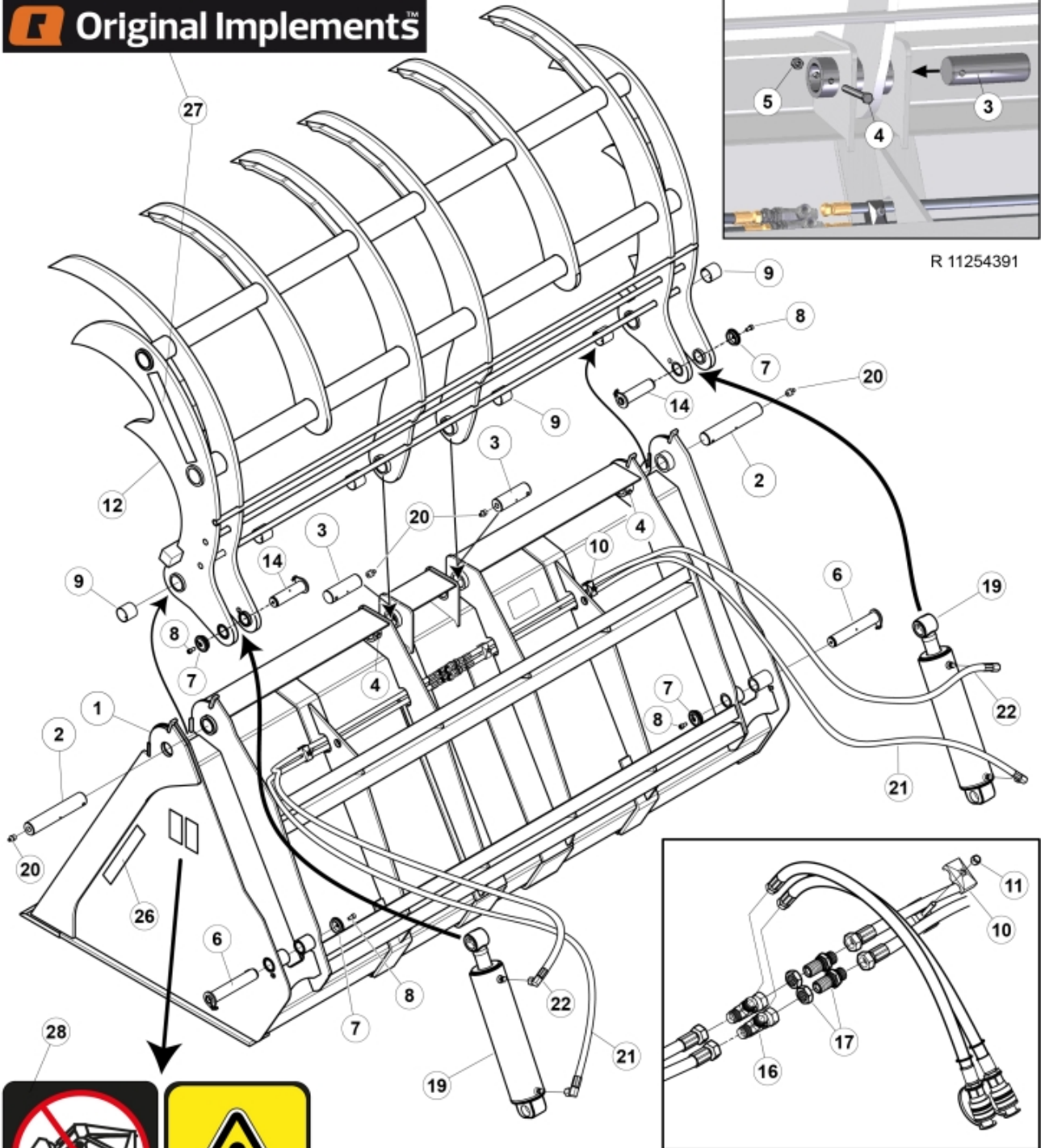


## Original Implements™



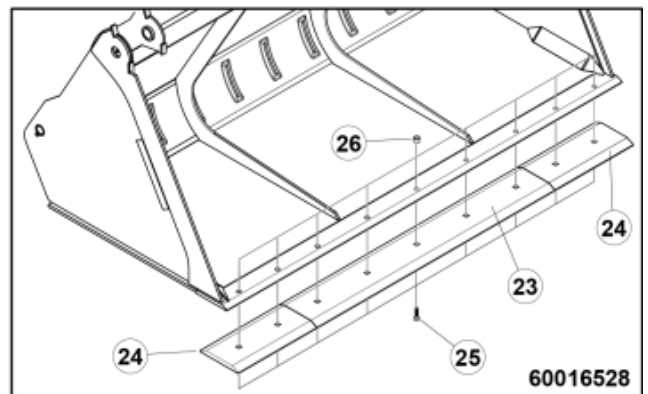
28

29

30

11 23 673

11 23 674



## Powergrab™ XL

Part assemblies		Powergrab XL 240		
Specification		Year From: 01/01/2017 00:00:00		
PartNo	Pos	Qty	Name	Specifications
11254391			Powergrab XL 240	01/01/2017 00:00:00
60016496	1	1 PCS	Bucket 240	Powergrab XL
60016512	2	2 PCS	Pin	D40 L=272
60016513	3	2 PCS	Pin	
5002991	4	4	Screw	M6S_M10x90 (8.8)
5011554	5	4	Nut	Loc-King M10
60016543	6	2 PCS	Pivot	
5215131	7	4	Locking cover	
5004917	8	4	Screw	
60016592	9	6 PCS	Bushing	
5016968	10	4	Hose clamp	
5011553	11	4	Nut	M6M M8 Loc-king
60016499	12	1 PCS	Grab head	XL 240
60019828	14	2	Pivot Pin	D=40, L=147mm
5028031	16	2	T-Adapter	
11120580	17	2	Adapter cpl.	
60014379	19	2 PCS	Cylinder	D110 Stroke 405
5023005	20	4	Greaser	M 10 x 1
60016745			Hose kit	
60016739	21	2 PCS	• Hose	L=1550
60016719	22	2 PCS	• Hose	L=1260
60016528			Bolt on Cutting Edge kit	
60016511-22	23	1	• Cutting edge	Centre
60016510-22	24	2 PCS	• Cutting edge	Outer
5050650	25	9 PCS	• Plow bolt	3/4" - 2.5 inch
5050652	26	9	• Locking nut	UNC 3/4"
11137127	27	1 PCS	Decal	"Original Implements"
1123673	28	1	Warning decal	
1123674	29	1	Warning decal	"Read manual"
60016841	30	1 PCS	Decal	Powergrab XL