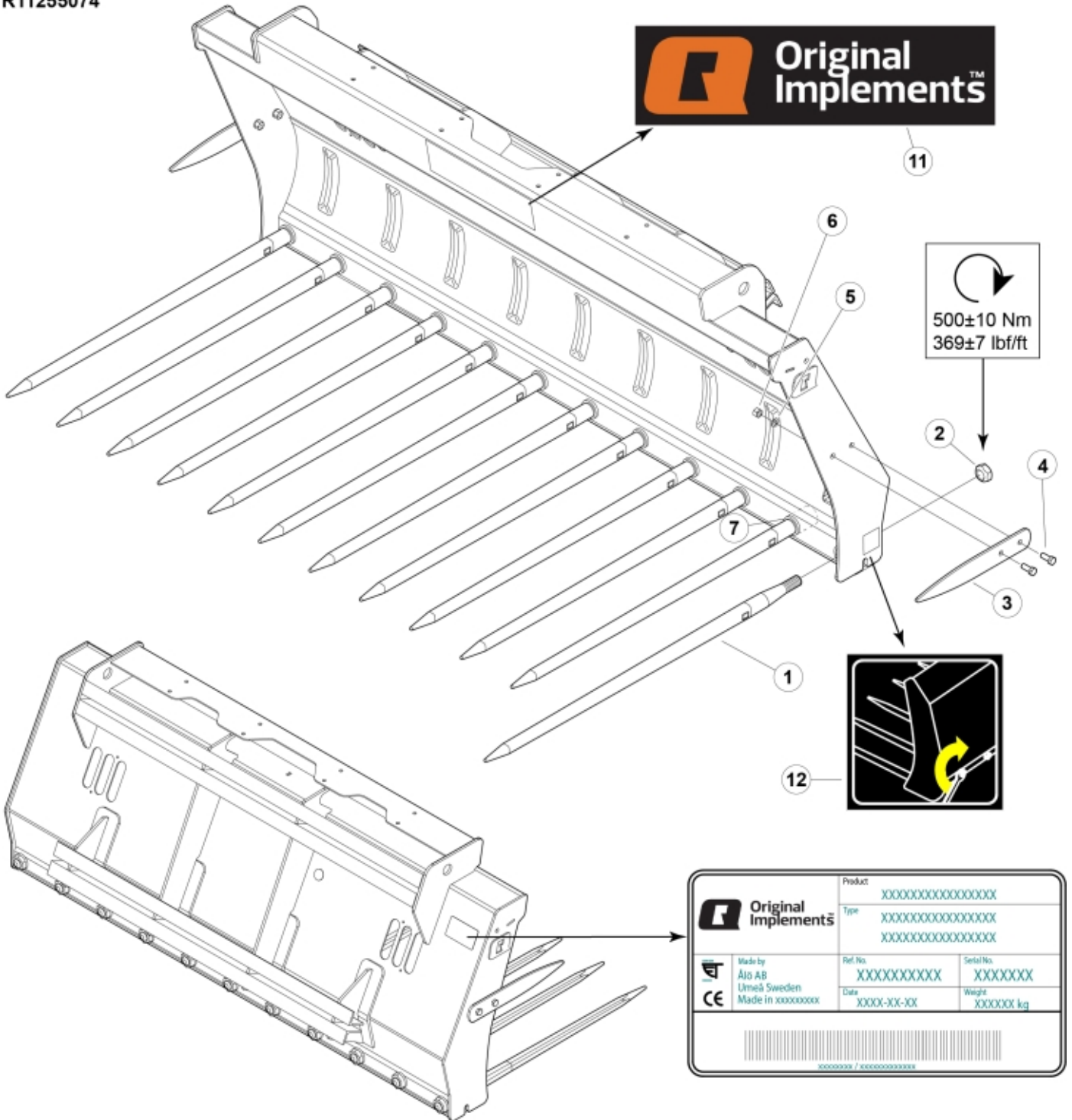


R11255074



**Original Implements™**

500±10 Nm  
369±7 lbf/ft

	Product	XXXXXXXXXXXXXXXXXX	
	Type	XXXXXXXXXXXXXXXXXX	
		XXXXXXXXXXXXXXXXXX	
	Made by	Ref. No.	Serial No.
	Ajo AB	XXXXXXXXXXXX	XXXXXXXXXX
	Umeå Sweden	Date	Weight
	Made in XXXXXXXX	XXXX-XX-XX	XXXXXX kg

**Part assemblies**      Manure Fork XL 230

<b>PartNo</b>	<b>Pos</b>	<b>Qty</b>	<b>Name</b>	<b>Specifications</b>
11255074			Manure Fork XL 230	
5068120-17	1	12	Tine with nut	L=1240mm (5068004)
5068116	2	1	• Nut	Conus 2
11260256-22	3	2	Side tine	
5002127	4	4	Screw	M6S M14 x 35
5013107	5	4	Washer	BRB 15 x 26 x 2
5011556	6	4	Nut	M14
60016205	7	12	Sleeve	Conus 2
60001650	11	1 PCS	Decal	Original Implements 361,7x100
11136517	12	1	Warning decal	"Tightening of tine"