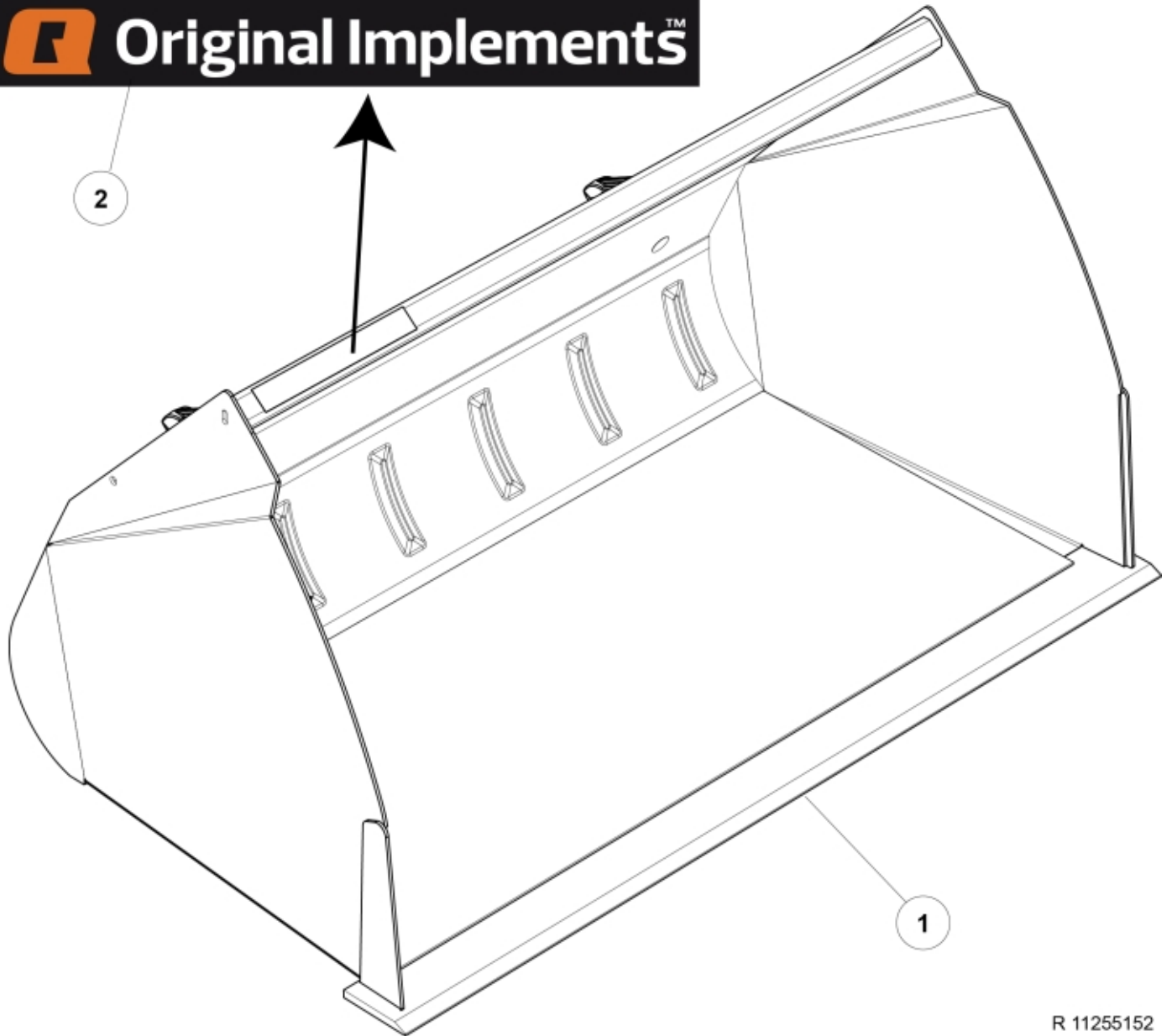


Original Implements™



R 11255152

Part assemblies HXV Bucket 180
Specification Year From: 01/05/2018 00:00:00
Year To: 31/10/2020 00:00:00

PartNo	Pos	Qty	Name	Specifications
11255152		1	HXV Bucket 180	01/05/2018 00:00:00, 31/10/2020 00:00:00
11260037	1	1	Cutting edge	Single Part
11137127	2	1 PCS	Decal	"Original Implements"
5022119		2	Plug	